

TVIDVR4 4-Channel HD-TVI DVR
TVIDVR8 8-Channel HD-TVI DVR
TVIDVR16 16-Channel HD-TVI DVR



FEATURES

- ◆ 30FPS/Ch Real-Time Recording @ 720p
- ◆ 12FPS/Ch Recording @ 1080p
- ◆ Connects to Both TVI & 960H Analog Cameras
- ◆ 1 Channel IP Recording @ 2MP (TVIDVR4)
- ◆ 2 Channel IP Recording @ 2MP (TVIDVR8/TVIDVR16)
- ◆ Up to 12TB Storage Capacity (16Ch)
- ◆ Up to 6TB Storage Capacity (4-8Ch)
- ◆ H.264 Recording Compression
- ◆ Redundant Recording (16Ch w/2x HDD Only)
- ◆ Full Mobile Apps for iPhone, iPad & Android
- ◆ Compatible with IE, Chrome, Firefox & Safari Browsers
- ◆ Built-in Motion Detection & Privacy Mask
- ◆ Up to 16Ch Synchronous Playback
- ◆ Free DDNS Included
- ◆ Free CMS Software Included
- ◆ Supports P2P Operation
- ◆ Included Mouse & IR Remote
- ◆ Dual USBs for Copying Video & Mouse Control
- ◆ Simultaneous HDMI & VGA Video Outputs
- ◆ Rack Mount Hardware Included (TVIDVR16)
- ◆ Built-in Audio & Alarm
- ◆ Supports 2-Way Audio

Full Mobile Apps
Free Guarding Expert Mobile Apps
for iPhone, iPad, Android,
Android Tablets and Windows Phone



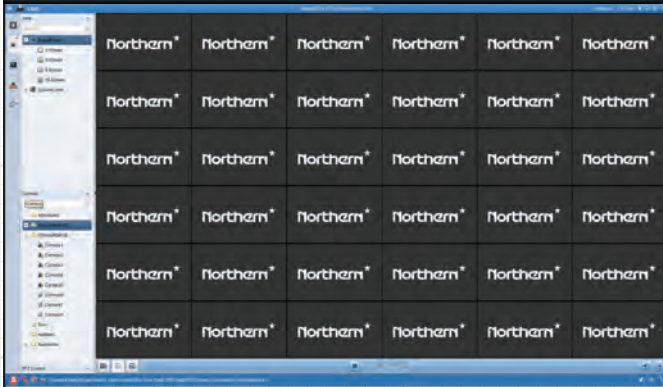
Guarding Expert

Free CMS Software

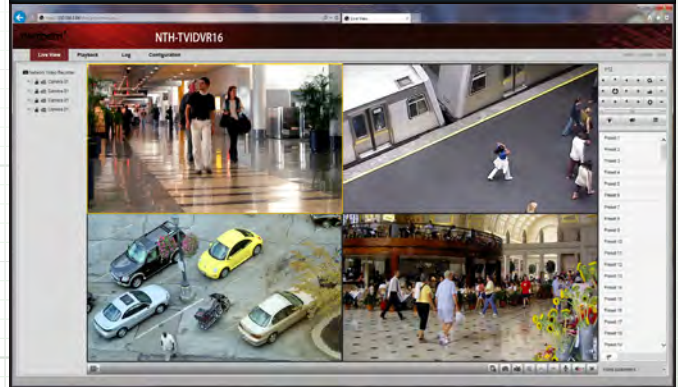


HD-TVI Series CMS Software shown on Northern★ LED21HDMI

CMS Software For PC/Mac



Browser Based Remote Software



Learn More

Mobile Apps for iPhone, iPad & Android

View & Playback Video from multiple mobile devices.

Real Time 720p Recording

Record up to 30FPS per Channel @ 720p Resolution or up to 12FPS per Channel @ 1080p Resolution.

Up to 12TB Storage Capacity

Large Hard Disk storage capacity allows for longer storage of recorded video. 12TB max storage on 16 Channel, 6TB max on 4 & 8 Channel Models.

Free CMS Software for PC & MAC

Connect to multiple DVRs from a single computer with the included CMS software. Compatible with NVRPOE Series NVR's & IP3 Series cameras.

Mouse & IR Remote Control

Easily control the DVR from the included Mouse or IR Remote Controller.

HDMI & VGA Video Outputs

Simultaneously display video through both VGA & HDMI monitor outputs.

Built in Motion Detection

Maximize your recording time by only recording when Motion is detected by the DVR.

Built in DDNS

Free DDNS insures you will always stay connected to your NVR when using a Dynamic IP address.

P2P Operation

Peer to Peer functionality makes set up easier by bypassing the need to configure port forwarding in most routers.

Dual USB Ports

DVR's include front and rear USB ports for making copies of video and controlling the DVR with a mouse.

Remote Accessibility

Remotely connect, monitor, playback, record and change DVR settings via IE, Firefox, Chrome and Safari Browsers

960H Compatibility

All DVR's are compatible with standard 960H analog cameras.

IP Camera Recording

4 Channel models can also record one additional IP Camera @ 2MP.
8 & 16 Channel models can record two additional IP cameras.

Hard Drive Configurations / Part Numbers / Package Contents

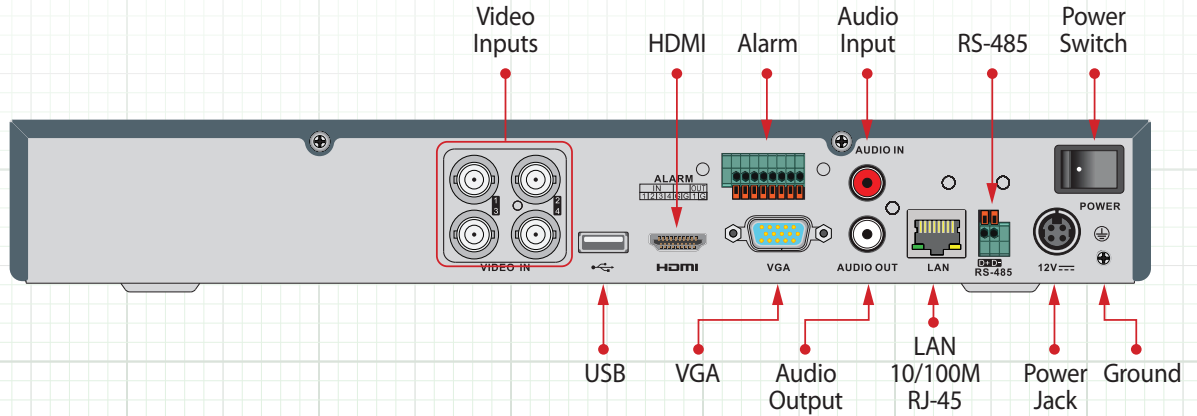
DRIVE SIZE	4 Channel	8 Channel	16 Channel
2TB	TVIDVR42T	TVIDVR82T	TVIDVR162T
4TB	TVIDVR44T	TVIDVR84T	TVIDVR164T
6TB	TVIDVR46T	TVIDVR86T	TVIDVR166T
8TB	N/A	N/A	TVIDVR168T
12TB	N/A	N/A	TVIDVR1612T

PACKAGE CONTENTS

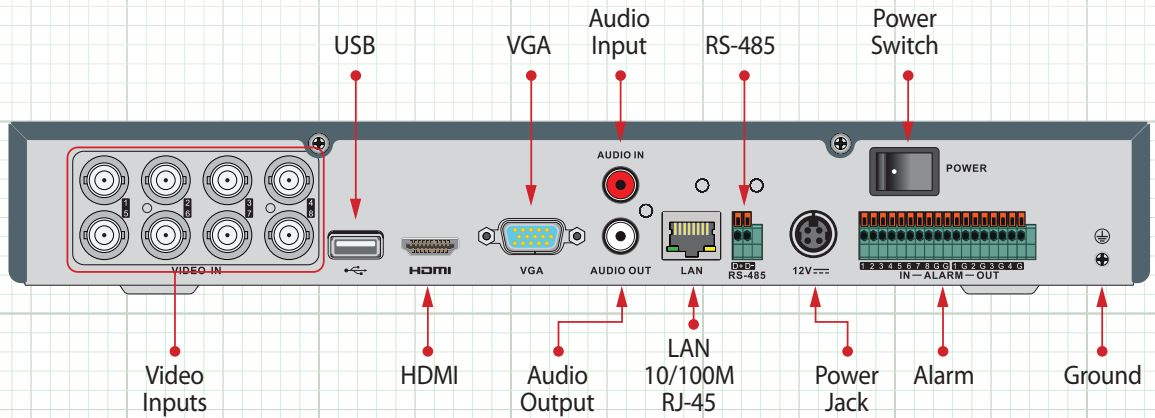
1. Power Supply / Cord
1. IR Remote Control
1. Software CD
1. Quick Start Manual
2. Rack Mount Ears (16Ch)
1. Mouse

Rear Panel Definitions / Connections

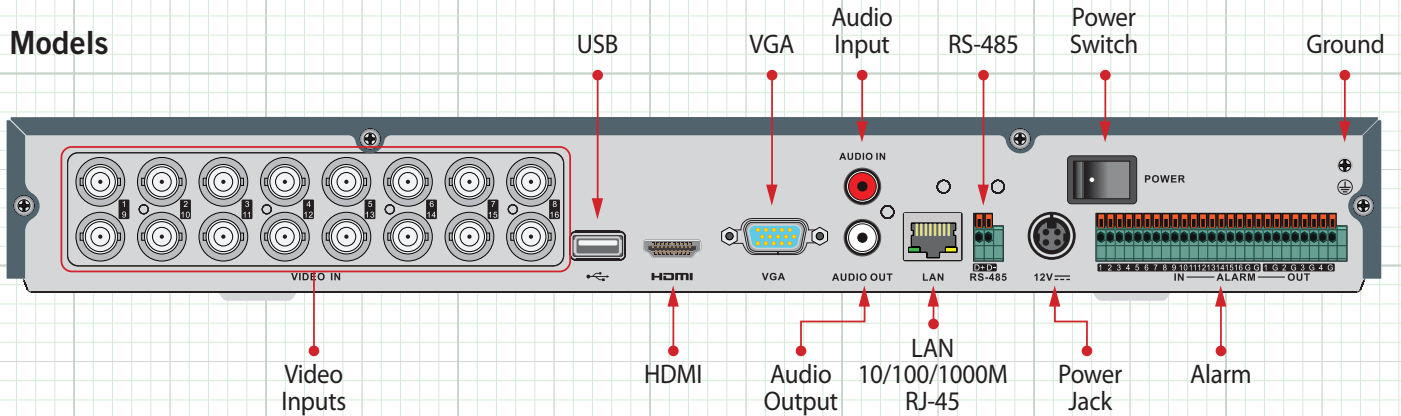
4 Ch. Models



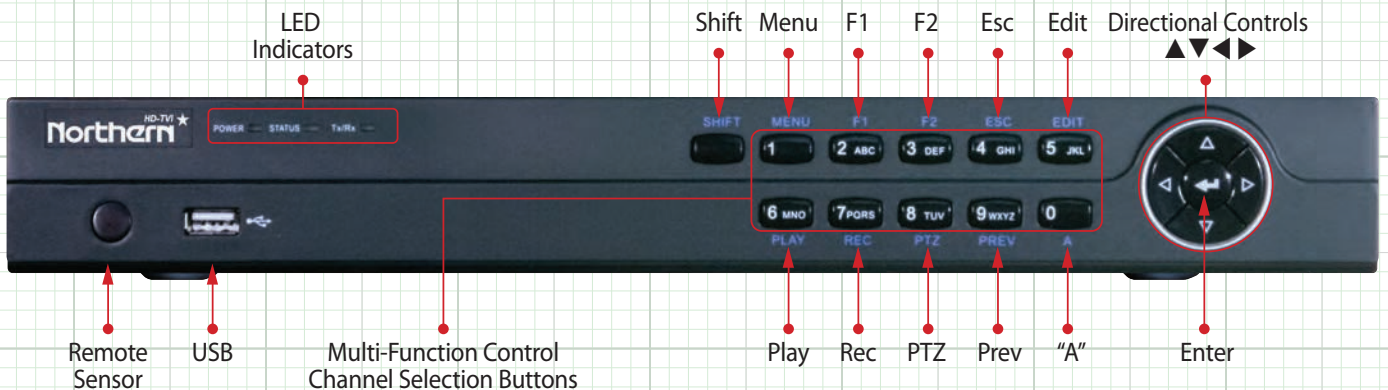
8 Ch. Models



16 Ch. Models



Front Panel Controls & Connections



TVIDVR Series Specifications

	FEATURES	NTH-TVIDVR4	NTH-TVIDVR8	NTH-TVIDVR16
Video/Audio Input	Video compression	H.264		
	HD-TVI/960H Video Input	4-Channel	8-Channel	16-Channel
	Supported Camera types	BNC Interface (1.0Vp-p, 75 Ω)		
	IP Video Input	1-Channel	2-Channel	2-Channel
	Audio Compression	G.711u		
	Audio Input	1-Channel, RCA (2.0 Vp-p, 1 KΩ) - For both Audio/Two Way Audio		
Video/Audio Output	HDMI / VGA output	1920 × 1080/60 Hz, 1280 × 1024/60 Hz, 1280 × 720/60 Hz, 1024 × 768/60 Hz		
	Encoding resolution	Main Stream: 1080P (15FPS) / 720P / VGA / WD1 / 4CIF / CIF Sub-Stream: WD1(15FPS) / 4CIF(15FPS) / CIF / QCIF / QVGA		
	Frame Rate	Main stream: 1/16 fps ~ Real time frame rate Sub-stream: 1/16 fps ~ Real time frame rate		
	Video Bitrate	32 Kbps-6 Mbps		
	Audio Output	1-Channel, RCA (Linear, 1KΩ)		
	Audio Bitrate	64 Kbps		
	Dual-Stream	Supports		
	Stream Type	Video, Video & Audio		
	Playback Resolution	1080P / 720P / VGA / WD1 / 4CIF / CIF / QVGA / QCIF		
	Record Mode Types	Motion, Continuous, Alarm, Motion, Motion & Alarm		
Record Time Periods	8 Recording Time Periods with Separate Record Types			
Pre & Post Recording	Pre & Post Recording for Alarm & Motion Detection / Pre Recording for Schedule & Manual Recording			
Recording Parameters	Independent for Each Channel (Resolution, Frame Rate, Bit Rate, Image Quality, etc.)			
Redundant Recording	N/A		Yes - Only for 2 HDD configurations	
Zooming	Available in Live View & Playback			
Synchronous Playback	4-Channel	8-Channel	16-Channel	
Playback Controls	Pause, Reverse Play, Speed Up, Speed Down, Skip Forward, Skip Backward, Mouse Drag			
Searching	Search Recorded Files by Events (Alarm Input / Motion Detection)			
Network Mgmt.	Remote Connections	128		
	Network Protocols	TCP/IP, PPPoE, DHCP, EZVIZ Cloud P2P, DNS, DDNS, NTP, SADP, SMTP, SNMP, NFS, iSCSI, UPnP™, HTTPS		
Hard Disk	SATA	1 SATA Interface		2 SATA Interfaces
	Capacity	Up to 6TB capacity for each disk		
	Max Storage	6TB		12TB
External Interface	Network Interface	1 x 10M / 100M Self-Adaptive Ethernet interface		1 x 10M / 100M / 1000M self-adaptive Ethernet interface
	RS-485	1; Standard RS-485 Serial Interface, half-duplex		
	USB Interface	2 × USB2.0		
General	Alarm In/Out	4-In/1-Out	8-In/4-Out	16-In/4-Out
	Power Supply	12V DC		
	Consumption - (no HDD)	≤ 15W	≤ 20W	≤ 30W
	Operating Temperature	-10 °C ~+55 °C (14 °F ~ 131 °F)		
	Operating Humidity	10% ~ 90%		
	Chassis	1U Chassis		380mm 1U Chassis
	Dimensions(W × D × H)	315 × 242 × 45mm (12.4 × 9.5 × 1.8 inch)		380 × 290 × 48mm (15.0 × 11.4 × 1.9 inch)
Weight (w/o Drives)	≤ 1.5Kg (3.3lb)		≤ 2Kg (4.4lb)	

Note: Specification subject to change without notice