

Security Rated LCD Monitors

15", 17" & 19" LCD MONITORS w/ 2x BNC, HDMI, VGA, AUDIO & 3DNR



SPECIFICATION	LCD15HDMI	LCD17HDMI	LCD19HDMI
Native Resolution	1024 x 768 @ XGA	1280 x 1024 SXGA	
Active Display Area	11.96" x 8.97"	13.38" x 10.7"	14.88" x 11.96"
Supported Resolution	640 x 480 VGA 800 x 600 SVGA 1024 x 768 XGA		
	N/A	1280 x 1024 SXGA	
Impedance	75 Ohms		
Video Input Signal	1V (p-p)		
Aspect Ratio	4:3		
Pixel Pitch	0.297 x 0.297 (mm)	0.264 x 0.264 (mm)	0.294 x 0.294 (mm)
Color Depth	16.7M		
Brightness	260 cd/m2	300 cd/m2	
Contrast Ratio	700:1	800:1	
Viewing Angle (H/V)	160° / 160°		
Response Time	5ms		
Lamp Life Time (Min.)	> 25,000 Hours		
Auto Adjustment	Yes		
Certificates	Energy Star, UL/CUL, FCC-DOC, CE, ROHS		
Input Voltage	AC 100 ~ 240V		
Power Supply	12 Volts DC		
Power Consumption	35 Watts		
BNC	Picture Mode - Contrast, Brightness, Color, Tint, Sharpness, Color, DNR Sound Mode - Volume Setup Mode - Language, Source, Video Settings - H.Position, V.Position,		
VGA / HDMI	Picture Mode - Contrast, Brightness, Color Sound Mode - Volume Setup Mode - Language, Source, Video Settings - H.Position, V.Position,		
Video	BNC In/Out (x2) VGA (x1) / HDMI (x1)		
Audio	RCA (x2 - Stereo) PC Audio In (x1)		
Dimensions (Monitor only)	12.25" x 14.4" x 1.9" (HxWxD)	14.6" x 16.5" x 2.4" (HxWxD)	14.6" x 16.9" x 2.5" (HxWxD)
Weight	6.6lb	12.8lb	13.2lb
Package Weight	8.6lb	13.3lb	14.4lb
Package Dimensions	17.0" x 19.5" x 5.0"	19.6" x 22.0" x 6.12"	19.6" x 22.0" x 6.12"
Operating Temp	23° ~ 104°F		
Storage Temp	-13° ~ 140°F		

* All specifications subject to change without notice for quality improvement.

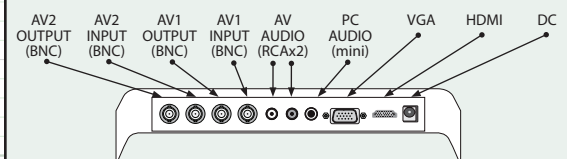
FEATURES

- ◆ 3D Comb Filter
- ◆ 3D De-Interlace
- ◆ Includes 6' HDMI and VGA Cables
- ◆ Up to 1280 x 1024 Resolution
- ◆ 3DNR (Digital Noise Reduction)
- ◆ HDMI and VGA Video Inputs
- ◆ Two Looping BNC Video Inputs
- ◆ Stereo RCA Audio Inputs
- ◆ PC Audio Input
- ◆ Super-Fast 5ms Response Time
- ◆ Full OSD Control Of All Monitor Functions
- ◆ 4:3 Aspect Ratio
- ◆ Vesa Mounting:
17" & 19" (100 x 100) 15" (75 x 75)
- ◆ UL/CUL, Energy Star Certifications

INCLUDED ACCESSORIES

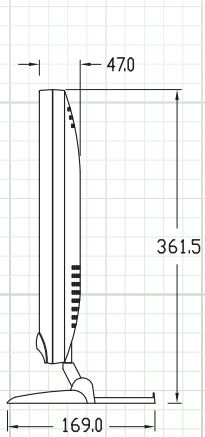
1. 6' HDMI Cable
1. 6' VGA Cable
1. 12 Volts DC Power Supply/Power Cord
1. User Manual

REAR PANEL CONNECTIONS

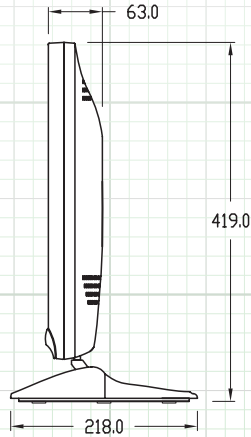


Monitor Dimensions:

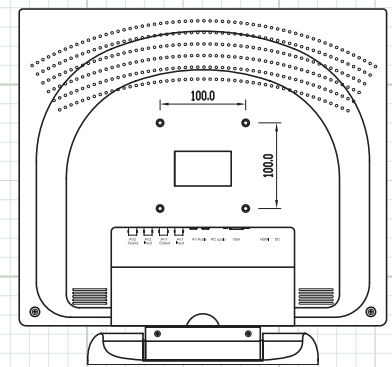
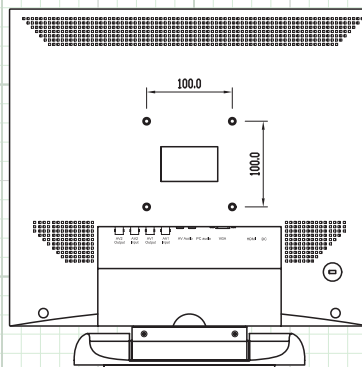
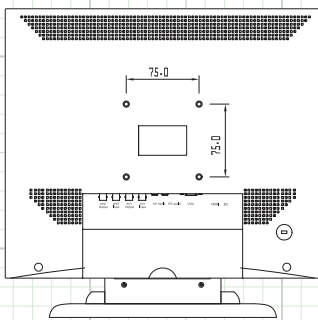
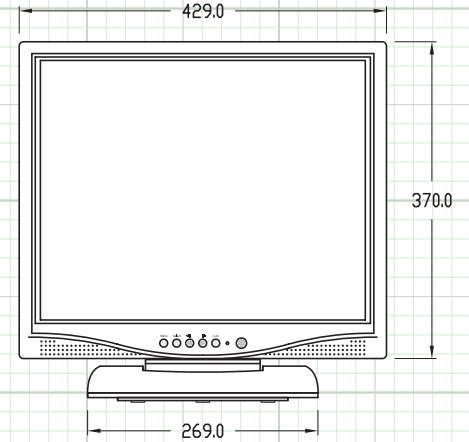
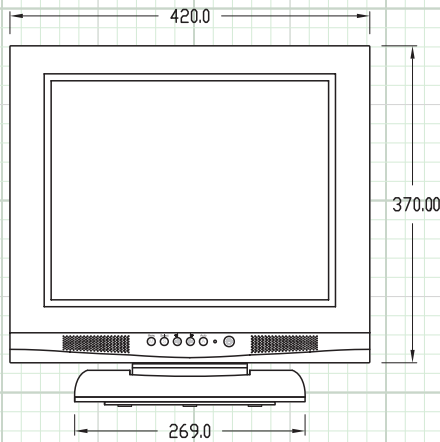
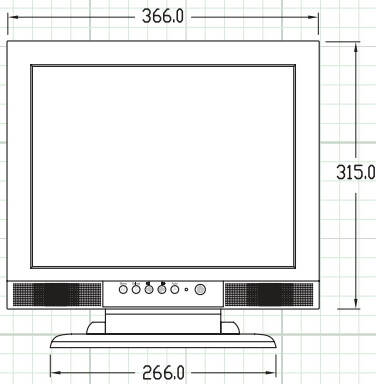
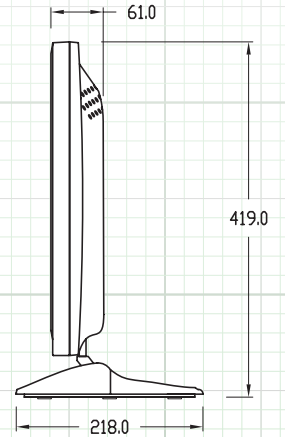
LCD15HDMI



LCD17HDMI



LCD19HDMI



LCD15HDMI

LCD17HDMI

LCD19HDMI