

STI UNIVERSAL TOUCH FREE BUTTON



UB-1TF

PRODUCT OVERVIEW

This Touch Free button applies NoTouch® technology which helps eliminate the spread of germs in medical facilities or high traffic areas. To exit, a person must simply wave their hand in front of the device. The infrared will pick up the motion and unlatch the time adjustable door.

Universal Touch Free Button offers many different combinations for the price of a standard one configuration button. Eliminating the need to stock dozens of push buttons, and wasting precious time and money tracking down just the right button for a customer. UB-1TF is ready to be assembled out of box and is easily installed within minutes right on site.

The faceplate is constructed of cast aluminum metal, allowing it to take tough knocks in stride, and is slightly oversized to cover old plate installation marks. Button package includes: faceplate, three illuminated push buttons and seven changeable illuminated activation messages.

HOW IT WORKS

The installer simply has to choose which lens cover and interchangeable message plate works best for the customers need, and easily snap them in place. This allows the button to be mounted in a matter of minutes instead of waiting weeks for a specific button to be ordered and delivered.

KEY FEATURES

General Information

- Ideal for medical facilities or high traffic areas.
- Helps reduce the spread of germs.
- Sensor life of 100,000 hours.
- One year guarantee on electro mechanical and electronic components.

Construction

- Button constructed of polycarbonate.
- UL Approval pending.

Installation

- Faceplate constructed of cast aluminum and slightly oversized to cover old plate installation marks.
- Operating temperature -4° ~ 158°F (-20° ~ 70°C).

Electronics

- Applies NoTouch® technology.
- Built-in microcontroller with a power on self testing function.
- Integrated adjustable timer.
- Dual color status LED.
- Adjustable proximity range 0.4 ~ 4 in. (1 ~ 10 cm).
- Adjustable latch time 0.5 ~ 20 seconds.
- Operating voltage 12VDC+/-15%.
- One set of Form "C" dry contacts @ 1 amp, 24 VDC.
- Illuminated message lens light kit.

Options

- Three different lens covers: red, blue, green.



For more information, call 1-800-888-4784 (4STI) or visit www.sti-usa.com



Safety Technology International, Inc.

STI Universal Touch Free Button

Dimensions and Technical Information

MODEL AVAILABLE

UB-1TF Universal Touch Free Button

Accessories

UB-1CL-Color Custom Label applied to blank, changeable message plates (blue, green, white or yellow)

SUB-71102A-Color Color Match Back Box Kit (red, blue, green, white or yellow)

STI-6518 Bopper Stopper® Protective Cover

STI-6600-Color Mini Stopper® II with Horn (blue, green, white or yellow)

APPROVALS & WARRANTY

TESTING

UL Pending

WARRANTY

One year guarantee on electro mechanical and electronic components.



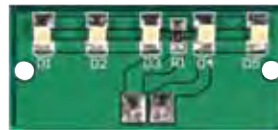
ILLUMINATED PUSH BUTTONS



ILLUMINATED MESSAGES



MESSAGE LIGHT KIT



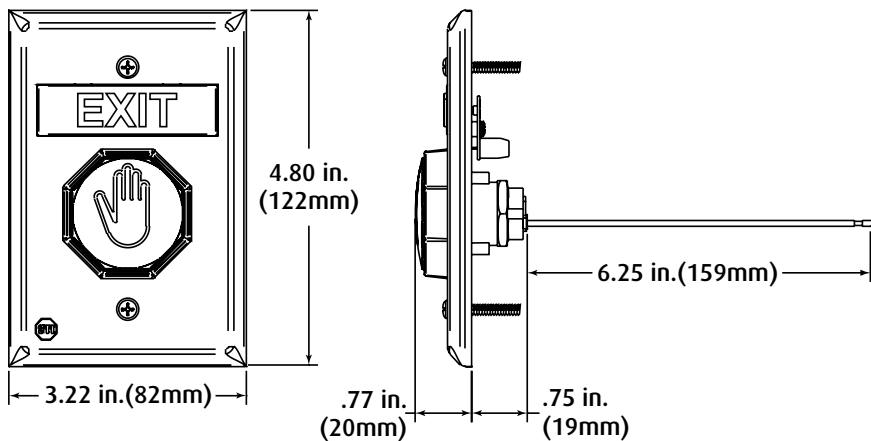
NoTOUCH EYE



MESSAGE LIGHT DIFFUSER



NOTE: Blank plates for custom message or STI can customize a message for you. Order label #UB-1CL-color.



Safety Technology International, Inc.

2306 Airport Road
Waterford, Michigan
48327, USA

Tel: 248-673-9898
Fax: 248-673-1246
Toll-free: 800-888-4784
info@sti-usa.com
www.sti-usa.com

Unit 49G Pipers Road
Park Farm Industrial Estate
Redditch, Worcestershire
B98 0HU England

Tel: 44 (0) 1527 520 999
Fax: 44 (0) 1527 501 999
info@sti-europe.com
www.sti-europe.com