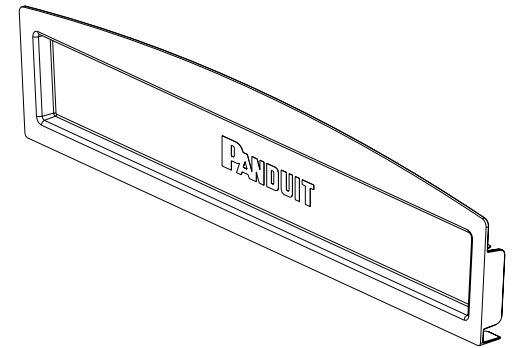
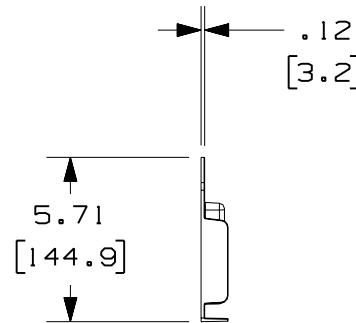
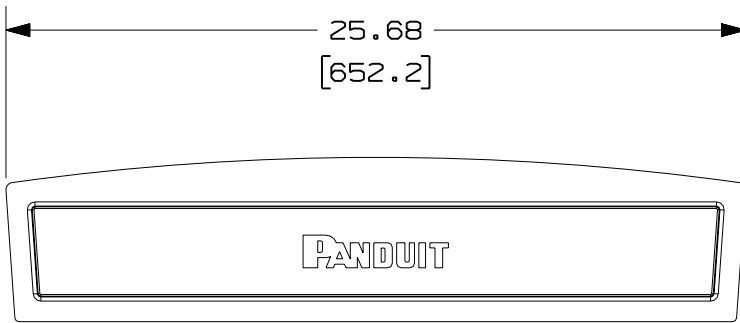
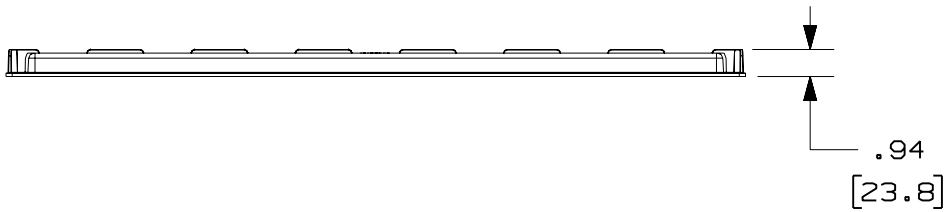


THIS COPY IS PROVIDED ON A RESTRICTED BASIS AND IS NOT TO BE USED IN ANY WAY DETRIMENTAL TO THE INTERESTS OF PANDUIT CORP.

| | |
|------------------------|-----------------------------|
| PANDUIT PART NUMBER | WEIGHT |
| FREC24X4 | 1.00 LB/EACH (454g/EACH) |

NOTES:

1. SEE CURRENT CATALOG FOR ADDITIONAL PART SUFFIXES TO INDICATE COLOR AND/OR PACKAGE QUANTITY.
2. DIMENSIONS IN PARENTHESES ARE IN METRIC.



ENG. REF.: D39701BU_DC/00 FREC24X4

CAD FILENAME/LAYERS
FREC24X4.pdf

PANDUIT CORP TINLEY PARK, ILLINOIS
FIBERRUNNER 24x4 END CAP
(FREC24X4)
CUSTOMER DRAWING

UNLESS OTHERWISE SPECIFIED,
DIMENSIONAL TOLERANCES ARE:
(.X) ± (.XXX) ±
(.XX) ± .03 (.8) ANGLES ±

UNLESS OTHERWISE SPECIFIED,
ALL DIMENSIONS ARE GIVEN IN
INCHES, THIRD ANGLE PROJECTION.

| | | |
|------------------|---------------|-------------------------|
| DRAWN BY MSO | MAT'L: ABS | SCALE NONE |
| DATE 10-21-08 | | DRAWING NO. 39701-16 |
| CHK'D SL | | DWG A SIZE |

| | | | | | | | | | |
|-----|----------|-----|-----|------------------------|----------|----|------|-----|------|
| REV | DATE | BY | CHK | DESCRIPTION | ECN | R | CUST | SUP | GMBH |
| R | 10-21-08 | MSO | SL | RELEASED TO PRODUCTION | 39701-16 | RN | RN | | |