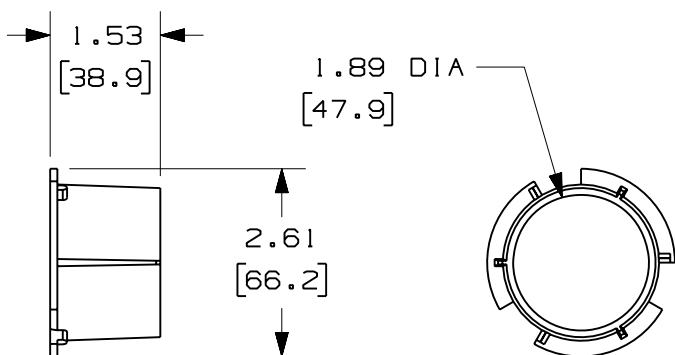


**F** NOTES:

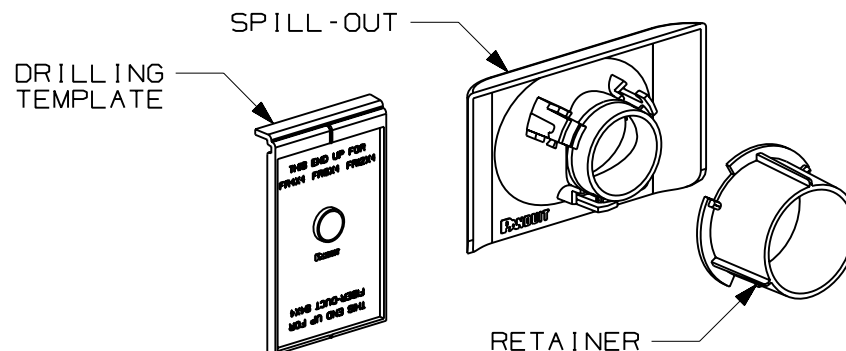
PANDUIT PART NUMBER	WEIGHT
FRI.5IDE	0.20 LB/EACH (92g/EACH)



- SEE CURRENT CATALOG FOR ADDITIONAL PART SUFFIXES TO INDICATE COLOR AND/OR PACKAGE QUANTITY.
- THE FIBER-DUCT 4x4, FIBERRUNNER 4x4, 6x4 AND 12x4 1-PORT SIDE EXIT SPILL-OUT TO 1 1/2" I.D. CORRUGATED LOOM TUBING IS USED TO ROUTE CABLES THROUGH 1 1/2" INSIDE DIAMETER CORRUGATED LOOM TUBING VIA A HOLE CUT INTO THE SIDE WALL OF THE FIBER-DUCT 4x4, FIBERRUNNER 4x4, 6x4 AND 12x4 CHANNEL. THE SPILL-OUT ACCEPTS A SINGLE PIECE OF 1 1/2" (38.1) I.D. SLIT CORRUGATED LOOM TUBING (CLT150F-X\*\*, CLT150F-T20)
- THE FIBER-DUCT 4x4, FIBERRUNNER 4x4, 6x4 AND 12x4 1-PORT SIDE EXIT SPILL-OUT TO 1 1/2" I.D. CORRUGATED LOOM TUBING INCLUDES:  
ONE (1) SPILL-OUT,  
ONE (1) RETAINER,  
ONE (1) DRILLING TEMPLATE
- DIMENSIONS IN PARENTHESES ARE IN METRIC.



1.45 DIA  
[36.8]



ENG. REF.: D38389BH\_DC\_FRI.5IDE\_02.prt

CAD FILENAME/LAYERS

**C** FRI.5IDE.pdf

**PANDUIT** CORP TINLEY PARK, ILLINOIS  
FIBER-DUCT 4x4, FIBERRUNNER 4x4, 6x4 AND 12x4 1-PORT SIDE EXIT SPILL-OUT TO 1 1/2" I.D. CORRUGATED LOOM TUBING (FRI.5IDE)  
**D** CUSTOMER DRAWING

UNLESS OTHERWISE SPECIFIED, DIMENSIONAL TOLERANCES ARE:

(.X) ± (.XXX) ±  
(.XX) ± .03 (.8) ANGLES ±

UNLESS OTHERWISE SPECIFIED, ALL DIMENSIONS ARE GIVEN IN INCHES, THIRD ANGLE PROJECTION.

DRAWN BY: JHNU  
DATE: 5-23-02  
CHK'D: WAB

MAT'L:

ABS

SCALE: NONE  
DRAWING NO.: 38389-05  
DWG SIZE: A

REV	DATE	BY	CHK	DESCRIPTION	ECN	R	CUST	SUP	GMBH
-	-----	---	--	F. REVISED GENERAL NOTES.	-----	--	--		
-	-----	---	--	E. REVISED PART WEIGHT. D. REVISED DRAWING TITLE.	-----	--	--		
2	1-4-07	MSO	RN	C. REVISED CAD FILENAME. B. REVISED AND REDRAWN.	38389-05	RN	RN		