

# HOTLOK®

## Installation Guide

### HotLok® Blanking Panels

#### Part Numbers

Black 1U - 10031

Black 2U - 10033

White 1U - 10114

White 2U - 10115



### Table of Contents

Dimensions and Rack Requirements	Page 2
Typical Installation Procedures	Page 2
Installation Diagram	Page 3
Tight Rail Installation Procedures	Page 4
General Information	Page 5
Warranty	Page 6

### Each carton contains the following items:

HotLok Blanking Panel (1U - 10) (2U - 5)

Installation Guide (1)



Designer & Manufacturer  
(888) 982-7800 www.upsite.com

# Installation Guide

## HotLok Blanking Panel

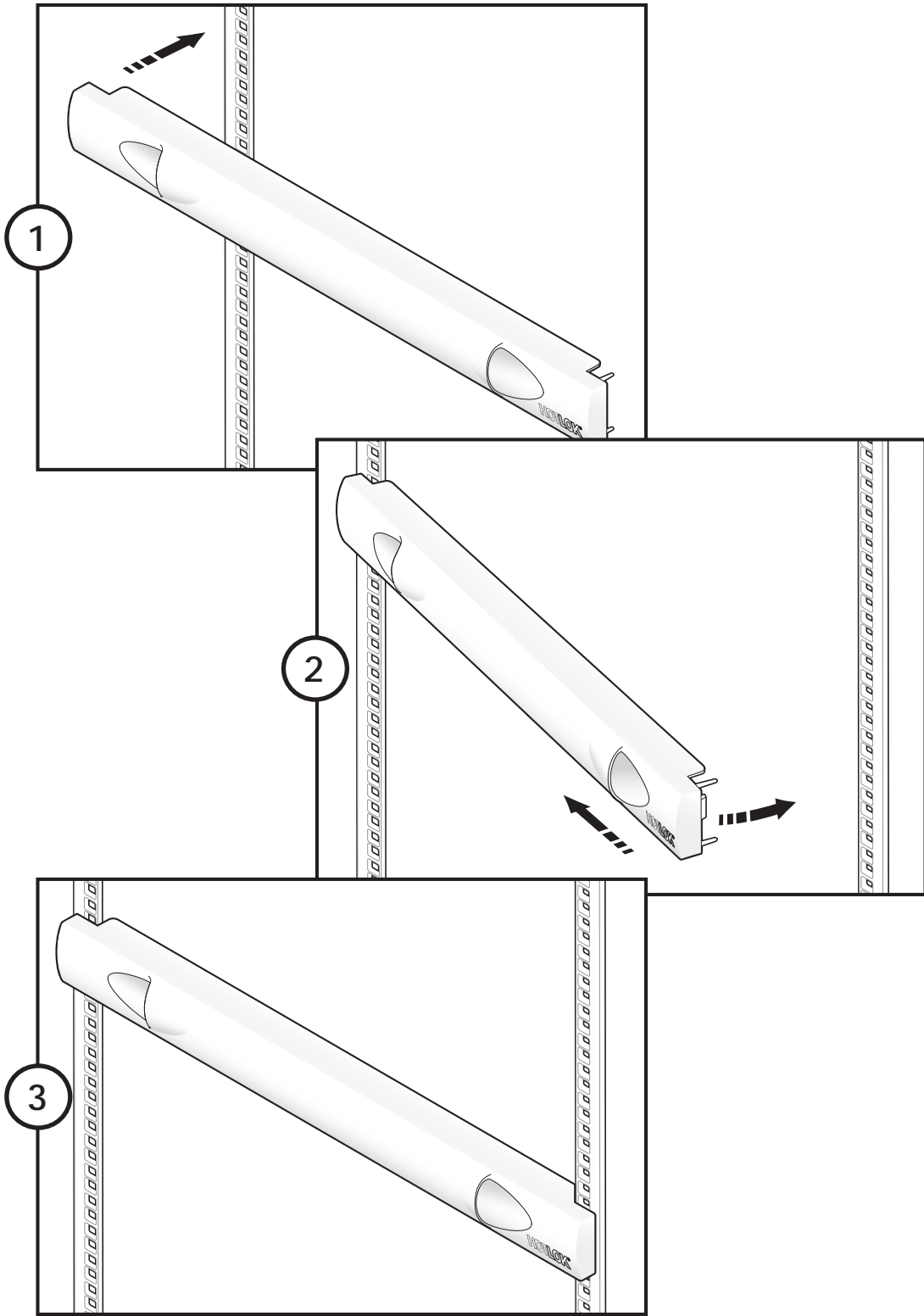
### Product Specifications

Dimensions	Inches	Millimeters
Part No. 10031 & 10114 - 1U - Overall size (length x height)	19" x 1.75"	482.5 x 44.45mm
Part No. 10033 & 10115 - 2U - Overall size (length x height)	19" x 3.5"	482.5 x 89mm

### Installation Procedures

#### Typical Installation Procedures

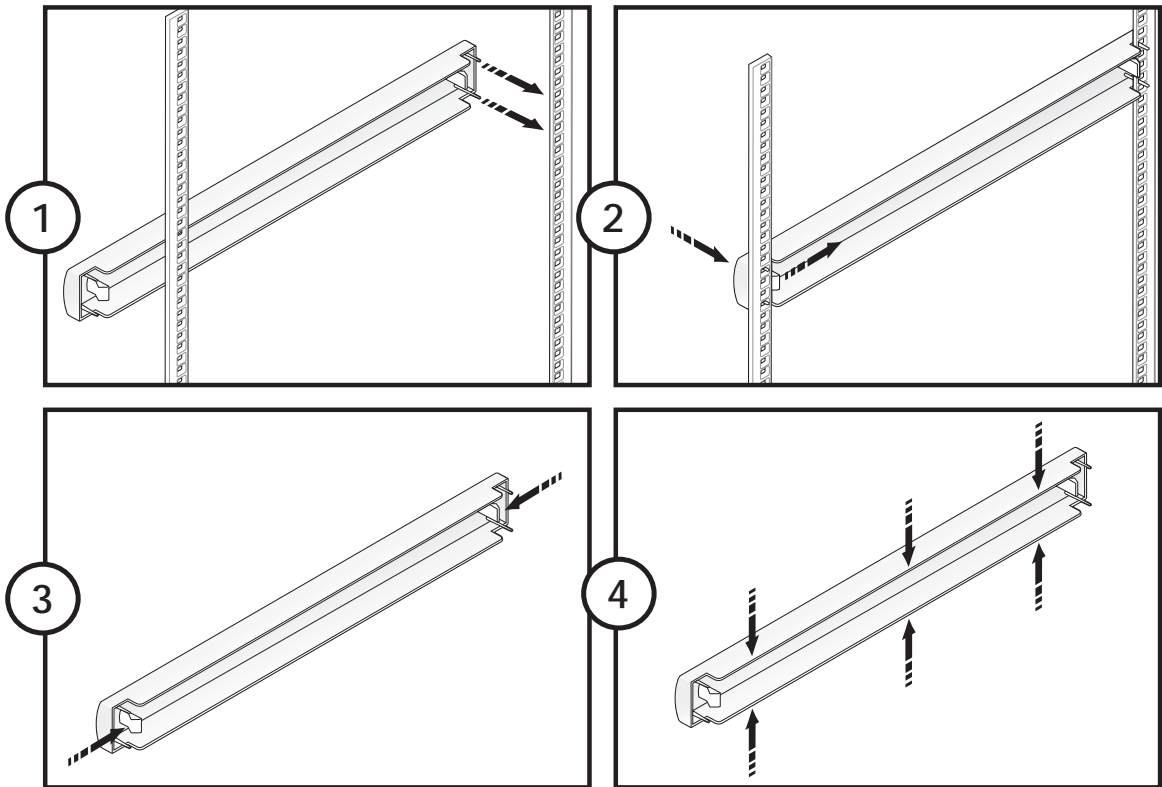
1. Using the finger grips to hold the HotLok Blanking Panel, align the four pins with the holes in the side rail. Ensure the product is level and pins are even on each side.
2. Guide one side of the blanking panel into the side rail. Once seated, push the opposite side of panel into place until clips click firmly into place. If panels are difficult to insert, see the *Installation Procedures for Tight Rails* on page 4 of this guide.
3. The clips should be fully inserted and seated with the plastic edge flush against the side rail. Depending on the size of the rack holes, the panel may be able to slide up or down. This is a built in feature to add room for the flared sealing vanes to create a tight seal. When you place multiple panels they will move and self-seal.
4. To maintain the best seal possible, fill all open spaces so that blanking panels push up against equipment.
5. Please note that the last blanking panel to be installed in a space might require some additional force to squeeze into place due to the tight fit produced by the flared vanes.
6. When uninstalling HotLok Blanking Panels, place one hand on the panels above or below it and slowly pull out the first unit. The tight fit can sometimes pull out other panels unintentionally.



## Installation Procedures for Tight Rails

1. Install one side of the blanking panel first and make sure it is seated against the rail.
2. Grab the finger grip opposite the side that has been installed and apply slight horizontal pressure. Push and snap in the blanking panel.
3. If the blanking panel is not seated properly in the rail, reach over the blanking panel, grab the clip and push towards the middle of the cabinet. Apply slight pressure and snap in the blanking panel.
4. In the event the flanges on the blanking panel get caught while trying to insert the panel, squeeze the flanges and slightly press them in until you can snap in the blanking panel.
5. In the event there is only a 1U opening without access to the top of the blanking panel, using your thumbs, place slight pressure on the two clips bending them in slightly (relieving the pressure ) and snap in the blanking panel.

## Install Images



# Installation Guide

## HotLok Blanking Panel

### General Information

#### Patent Information

U.S. design patent number D577,360.  
Utility and international patents are pending.

#### Conformance

RoHS Compliant: HotLok Blanking Panels do not contain bromic compounds that have been found to be environmentally harmful.

#### Recyclable

Black HotLok Blanking Panels are made with recyclable ABS and the resulting product is recyclable. White HotLok Blanking Panels are made with recyclable HIPS and the resulting product is recyclable. In addition, all packaging is made with some post-consumer recycled content and is 100 percent recyclable.

#### Maintaining Proper Cooling of Equipment

Failure to follow computer manufacturer's guidelines for maintaining proper cooling may result in the overheating of equipment. Before sealing rack spaces with blanking panels, ensure that there is adequate airflow to the intake sides of computer equipment or cabinets through devices such as perforated floor tiles or grates. Achieving proper airflow to the intake side of the computer equipment and/or cabinets is the responsibility of the customer.

#### Safety Requirements

Installers must be familiar with standard safety and risk management practices when working on or in environments for rack equipment.

#### Customer Support

If you have any questions, please contact us direct at (505) 798-0200, Toll Free at (888) 982-7800, or Email us at [info@upsite.com](mailto:info@upsite.com).

P/N 60226 Rev. A © 2012



Printed on  
Recyclable Paper

### Limited Warranty



Designer & Manufacturer  
(888) 982-7800 [www.upsite.com](http://www.upsite.com)

## HotLok Blanking Panel

Upsite Technologies, Inc. (the *Company*) warrants to the original purchaser that products delivered hereunder will be free of defects in materials and workmanship for a period of twelve (12) months from the date of purchase (the "Warranty Period").

The *Company* shall, at its option, within the Warranty Period, either repair or replace free of charge, any product or part thereof found, upon the *Company's* inspection, to be defective in materials and workmanship, and will return the repaired or replaced product to the purchaser at *Company's* expense.

For warranty service and shipping instructions, contact the *Company* at the telephone number shown below. If the product is under warranty and the defect appears to be covered by this Limited Warranty, the *Company* will issue to the purchaser a Notice of Authorization For Warranty Return. Products returned to the *Company* for warranty service must be accompanied by a statement of defect, the Notice of Authorization for Warranty Return provided by the *Company*, and proof of purchase.

This Limited Warranty is conditioned on the following:

6. The *Company* must be notified within 12 months of purchase and have been given the opportunity of inspection by return of any alleged defective product free and clear of all liens and encumbrances to the *Company* or its manufacturer; and
7. The product must not have been abused, misused, or improperly maintained, and/or repaired during such period; and
8. Such defect has not been caused by corrosion or exposure to other than ordinary wear and tear.

**The company makes no other express or implied warranty or representation of any kind whatsoever including any warranty of merchantability or fitness for a particular purpose and all such other warranties are hereby included.**

The *Company's* maximum liability hereunder is limited to the purchase price of the product. In no event shall the *Company* be liable for any consequential, indirect, incidental, or special damages of any nature arising from the sale or use of the product, whether based in contract, tort, strict liability, or otherwise.

Note: Some jurisdictions do not allow limitations on incidental or consequential damages or how long an implied warranty lasts, so that the above limitations may not fully apply. This warranty gives specific legal rights and you may also have other rights which may vary from jurisdiction to jurisdiction.

For complete warranty and repair information Call (888) 982-7800 or visit [upsite.com](http://upsite.com)

Register your product online at [www.upsite.com/warranty](http://www.upsite.com/warranty) to initiate your warranty.