



KoldLok® Integral Raised Floor Grommets

Part Numbers

1010 Integral Grommet

3030 Split Integral Grommet



Integral Grommet



Split Integral Grommet

Applications

Designed to seal openings in new raised floor cutouts prior to the installation of communications or power cabling. Based on measurements at multiple data centers, on average 60% of valuable conditioned air is not reaching the air intake of IT equipment due to unsealed floor openings. This lost air, known as bypass airflow, contributes to IT equipment hot spots, cooling unit inefficiencies, and increasing infrastructure costs. KoldLok® products specifically address bypass airflow and its detrimental effects on data center cooling.

Features

- The Split Integral Grommets allow tiles to be moved without capturing cables
- The Grommets contain no loose or partially fastened parts, which can become separated or fall through the raised floor
- The Grommets are impact resistant and durable
- The Grommets satisfy NFPA 75 Section 5-4.4 requirement by self-dressing the raw metal edges of raised floor tile cable cutouts
- KoldLok® products are compliant with Directive 2002/95/EC of the European Parliament and the Council on the Restriction of the Use of Certain Hazardous Substances in Electrical and Electronic Equipment (RoHS)

Benefits

- Increases existing cooling unit capacity
- Reduces the need to purchase additional cooling units
- Improves equipment reliability and extends equipment life
- Increases static pressure under the raised floor and improves cool air delivery through perforated tiles and floor grates
- Facilitates Cold Aisle/Hot Aisle best practices

Sealing Effectiveness

- Effective bypass-airflow sealing in areas undisturbed by cable penetrations at static pressures up to 0.10 inches of water column
- Effective bypass-airflow sealing with four, half-inch cables penetrating the Grommet at a static pressure of 0.10 inches of water column

Specifications

Part Number	Description	Dimensions	Quantity per Carton	Shipping Weight
1010	Raised Floor Brush Grommet	11" x 8.25" x 1.625" (279 mm x 210 mm x 41 mm)	10	19 lbs.
3030	Raised Floor Brush Grommet, Split	11" x 8.25" x 1.625" (279 mm x 210 mm x 41 mm)	10	19 lbs.

Patented Sealing System

U.S. Patent No. RE41863 and International Patents Pending
Multi-layer, opposing and interwoven filaments consisting of:

- 0.010 inch diameter upper filaments
- 0.020 inch diameter lower filaments
- Approximately 25,000 filaments per Grommet
- Ensure passage of 100 amp power connectors

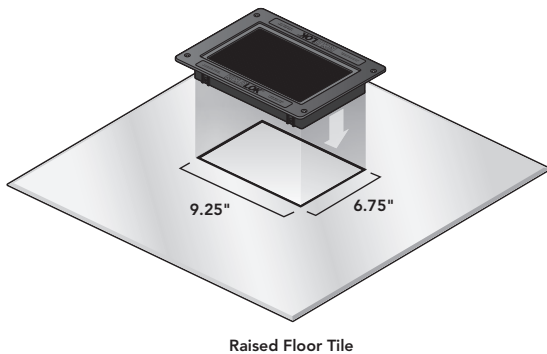
Floor Mounting System

Four (4) self-drilling screws are provided for installation

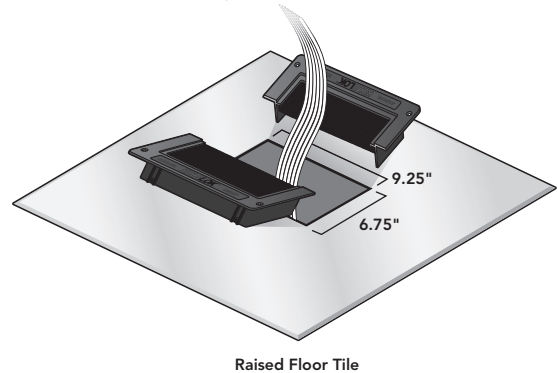
Grommet Frame

The Integral Raised Floor Grommet frame is molded from durable polypropylene. The Split Integral Raised Floor Grommet frame also consists of two, interlocking polypropylene halves. Finish: Black

KoldLok® Integral Raised Floor Grommet



KoldLok® Split Integral Raised Floor Grommet



Designer and Manufacturer
888.982.7800
www.upsite.com