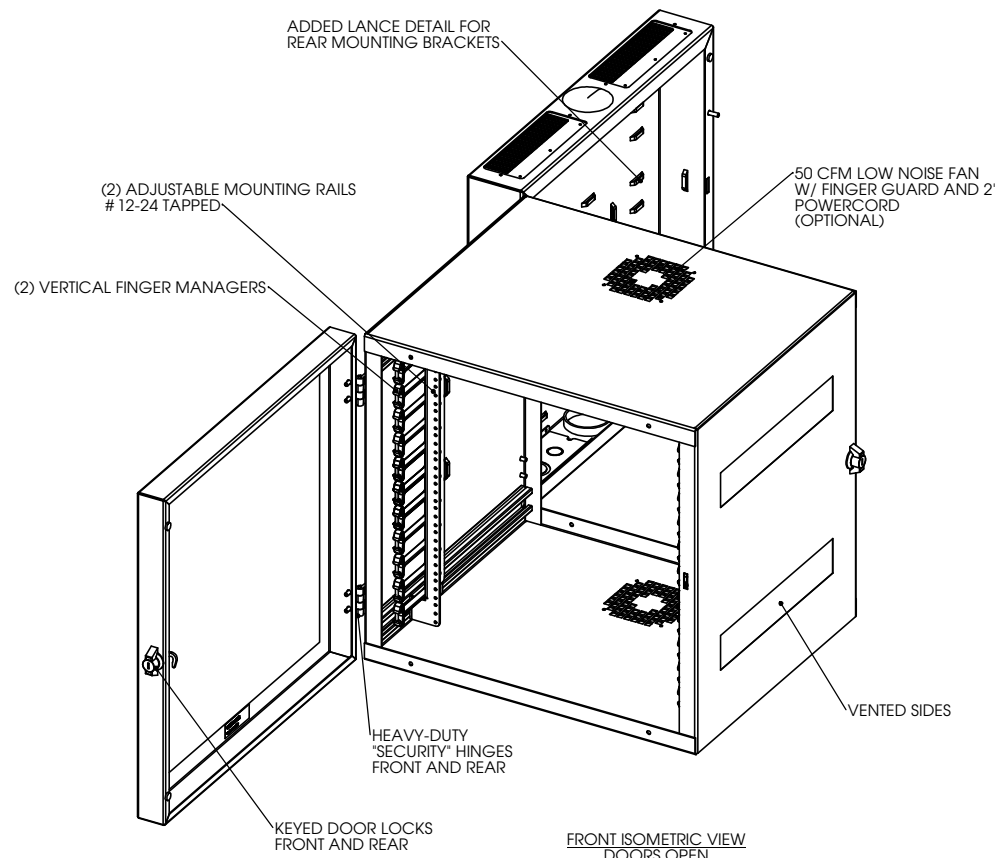
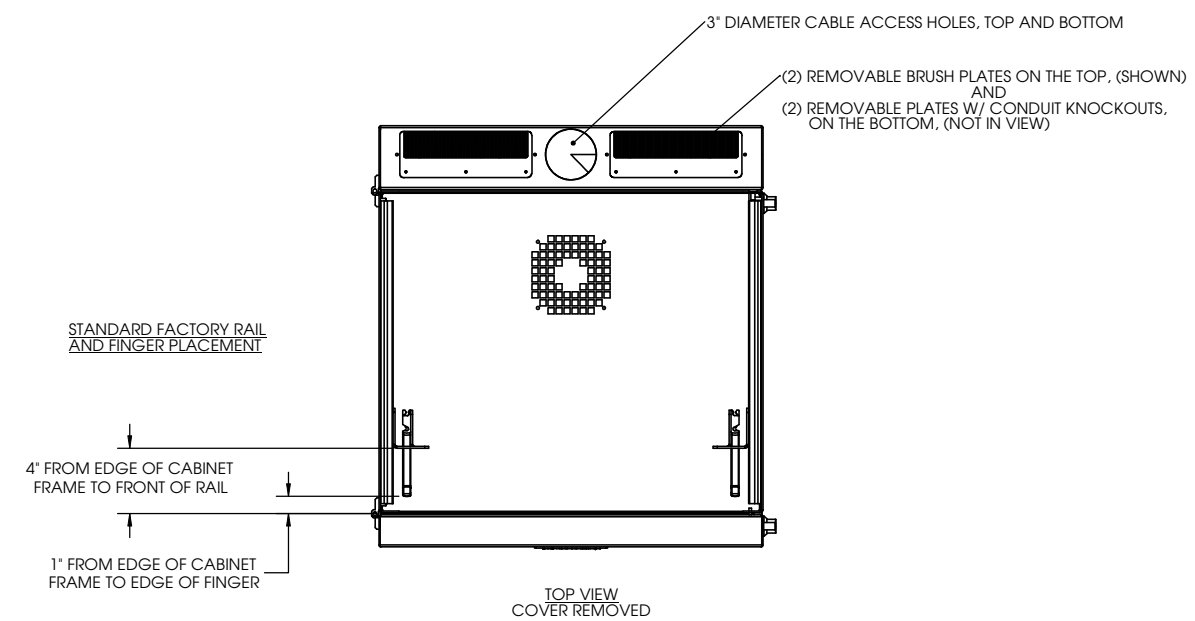


FRONT ISOMETRIC VIEW  
DOORS CLOSED



FRONT ISOMETRIC VIEW  
DOORS OPEN



TOP VIEW  
COVER REMOVED

BASIC FRAME DIMENSIONS						
PART NUMBER	U-HEIGHT (XX)	WIDTH	DEPTH (ZZ)	DOOR (A)	COLOR (B)	STATIC LOAD (LBS)
OR-MMW122420P-B	12	24"	20"	PLEXI	BLACK	150
OR-MMW122420S-B	12	24"	20"	SOLID	BLACK	150
OR-MMW192420P-B	19	24"	20"	PLEXI	BLACK	200
OR-MMW192420S-B	19	24"	20"	SOLID	BLACK	200
OR-MMW262420P-B	26	24"	20"	PLEXI	BLACK	300
OR-MMW262420S-B	26	24"	20"	SOLID	BLACK	300
OR-MMW122426P-B	12	24"	26"	PLEXI	BLACK	150
OR-MMW122426S-B	12	24"	26"	SOLID	BLACK	150
OR-MMW192426P-B	19	24"	26"	PLEXI	BLACK	200
OR-MMW192426S-B	19	24"	26"	SOLID	BLACK	200
OR-MMW262426P-B	26	24"	26"	PLEXI	BLACK	300
OR-MMW262426S-B	26	24"	26"	SOLID	BLACK	300

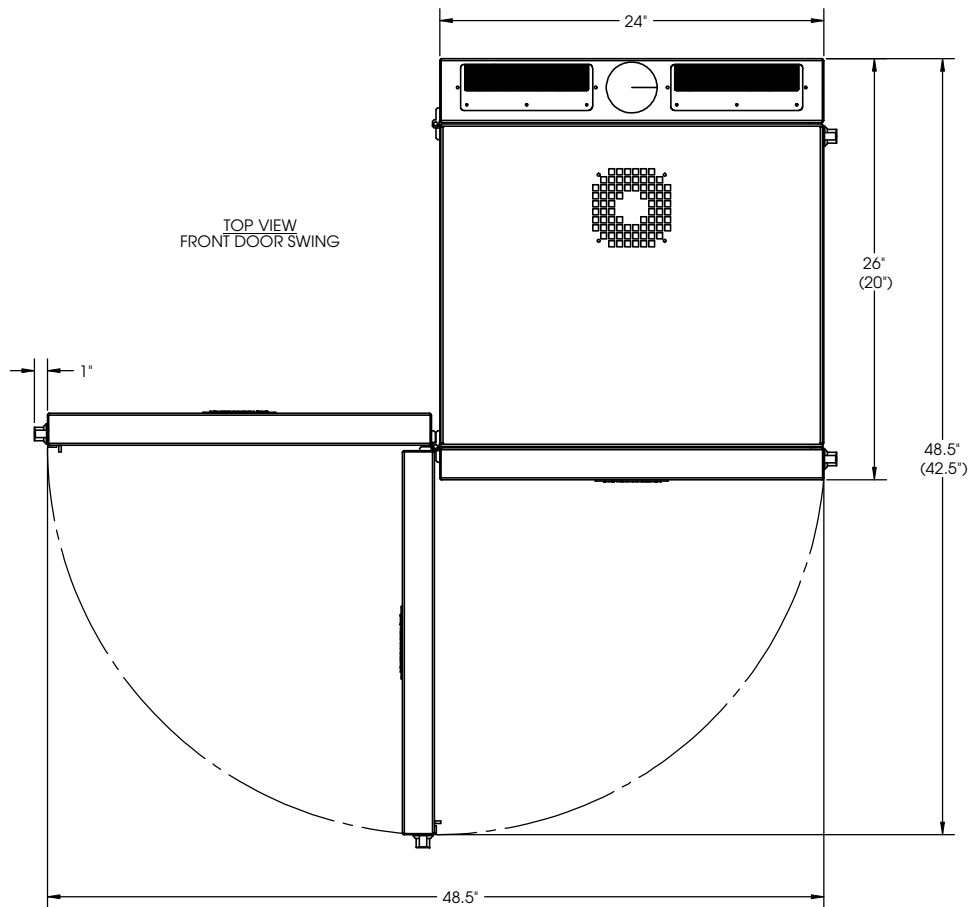
\*\*\* NOTICE \*\*\*  
THIS DOCUMENT CONTAINS CONFIDENTIAL AND/OR PROPRIETARY INFORMATION INTENDED FOR USE ONLY BY THE INDIVIDUAL(S) PROVIDED. NEITHER THIS DOCUMENT, NOR ANY INFORMATION CONTAINED HEREIN, MAY BE COPIED, DISTRIBUTED, DISCLOSED TO ANY THIRD PARTY OR USED IN ANY MANNER OTHER THAN FOR WHICH IT HAS BEEN PROVIDED, WITHOUT THE PRIOR WRITTEN CONSENT OF ORTRONICS, INC.

**ORTRONICS**  
125 EUGENE O'NEILL DRIVE  
NEW LONDON, CT 06320  
TEL: 860-445-3800  
FAX: 860-405-2990  
WWW.ORTRONICS.COM

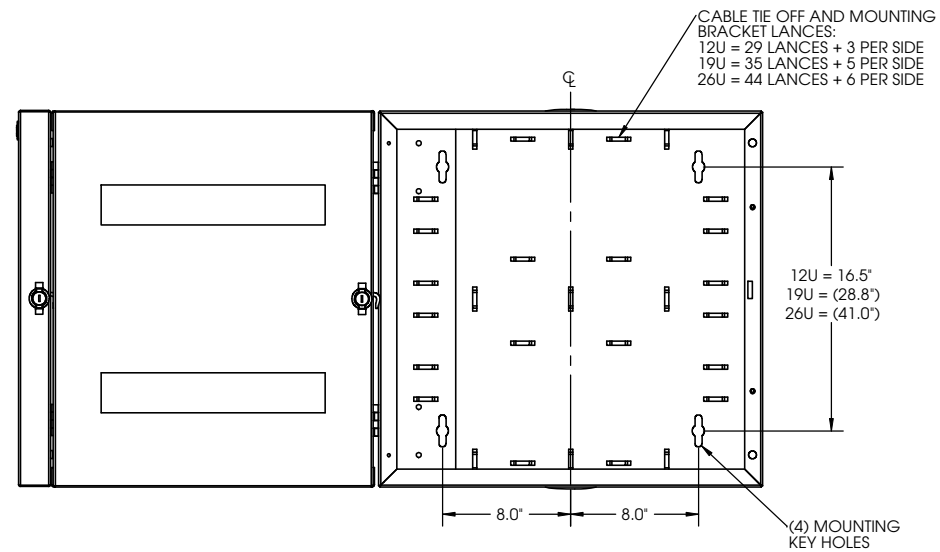
TITLE: MM WALL CABINETS, BLACK

DWN	C.VACCA	DATE	09/08/09	SIZE	C	CAD FILE	MMWXX24ZZABC	DWG NO	OR-MMWXX24ZZA-B	REV	01
CHK	S.A.L.	DATE	10/01/09	SCALE	NONE			SHEET	1 OF 2		
APPR	A.M.	DATE	10/02/09								

TOP VIEW  
FRONT DOOR SWING

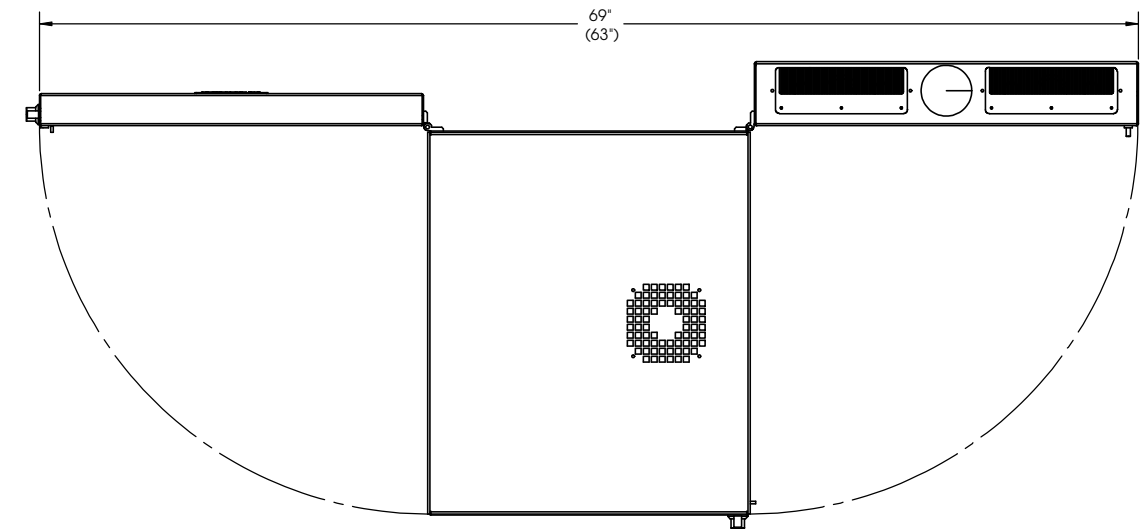


CABLE TIE OFF AND MOUNTING  
BRACKET LANCES:  
12U = 29 LANCES + 3 PER SIDE  
19U = 35 LANCES + 5 PER SIDE  
26U = 44 LANCES + 6 PER SIDE



RIGHT SIDE VIEW  
REAR SECTION OPEN

TOP VIEW  
CABINET FULLY OPENED



<b>ORTRONICS</b>		125 EUGENE O'NEILL DRIVE NEW LONDON, CT 06320 TEL: 860-445-3800 FAX: 860-405-2990 WWW.ORTRONICS.COM	
SIZE C	CAD FILE MMWXX24ZZABC	DWG NO OR-MMWXX24ZZA-B	REV. 01
SCALE NONE	SHEET 2 OF 2		