

Angled Stainless-Steel QuickPort® Wallplates with ID Windows

APPLICATION

Angled stainless-steel wallplates accept QuickPort snap-in modules to support multimedia applications in single- or dual-gang flush-mount housings. Angled ports facilitate optimal cable management, ensuring proper bend radius compliance in front and back of connectors. Double stainless-steel material stands up to the more demanding institutional, education, and healthcare environments.



43081-1L2



43081-2L4



43081-1L4



43081-2L8

SPECIFICATION

The wallplate shall be a flush-mount design that fits standard NEMA openings. It shall provide 2 and 4 ports in a single-gang and 4 and 8 ports in a dual-gang design and feature an angled design to facilitate optimal cable management. Wallplate shall accept all QuickPort UTP, Fiber, or AV modules. Wallplate face shall be made of type 304 stainless steel with a plastic carrier that shall be fire-retardant plastic rated UL 94V-0. Wallplate shall be UL Listed and compliant with ANSI/TIA-568-C.0 specifications.

Page 1 of 2

FEATURES

- Angled ports ensure proper bend radius compliance in front and back of connector
- Recessed ports protect jack and patch cord plugs
- Stainless steel for enhanced durability
- Includes station ID designation windows
- Fits standard NEMA electrical boxes
- Compatible with all individual UTP, Fiber, and AV QuickPort modules
- Ideal for CAT 6A applications at the workstation

DESIGN CONSIDERATIONS

- Fits standard NEMA single-gang electrical boxes
- For future expansion, install blanks (PN# 41084-BEB) in unused ports
- Wallplate accepts 2 and 4 QuickPort connectors in single-gang or 4 and 8 connectors in dual-gang designs

STANDARDS COMPLIANCE

- cULus
- ANSI/TIA-568-C.0

PHYSICAL SPECIFICATIONS

Dimensions: See page two
Materials: Face - Stainless Steel (type 304)
 Carrier - ABS Plastic

COUNTRY OF ORIGIN

Taiwan

WARRANTY INFORMATION

For a copy of Leviton product warranties, visit www.leviton.com/warranty.

Leviton Network Solutions
 2222 - 222nd St. SE
 Bothell, WA 98021-4416

tel 1-800-824-3005
 tel +1-425-486-2222
appeng@leviton.com
www.leviton.com

Asia / Pacific
 T +1.631.812.6228
 E infoasean@leviton.com

Europe
 T +33.6.8869.1380
 E infoeurope@leviton.com

Canada
 T +1.514.954.1840
 E pcservice@leviton.com

India / SAARC
 T +91.80.4322.5678
 E infoindia@leviton.com

Caribbean
 T +1.954.593.1896
 E infocaribbean@leviton.com

Mexico
 T +52.55.5082.1040
 E Isamarketing@leviton.com

China
 T +852.2774.9876
 E infochina@leviton.com

Middle East & Africa
 T +971.4.886.4722
 E lmeinfo@leviton.com

Colombia
 T +57.1.743.6045
 E infocolombia@leviton.com

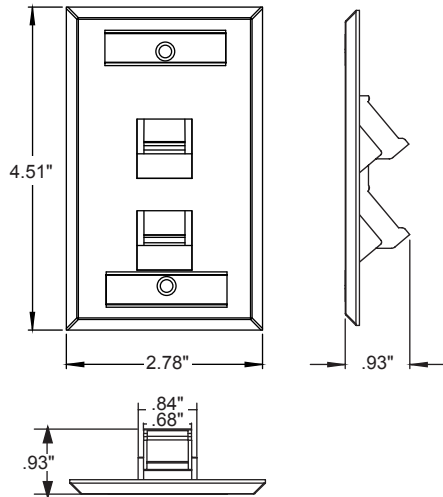
South Korea
 T +82.2.3273.9963
 E infokorea@leviton.com

ELECTRONIC FILES

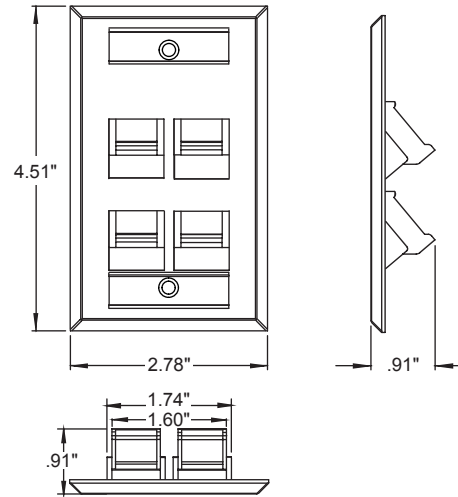
For CAD files, typical specs, or technical drawings (.DXF, .DWG), visit www.leviton.com.

43081-xLx

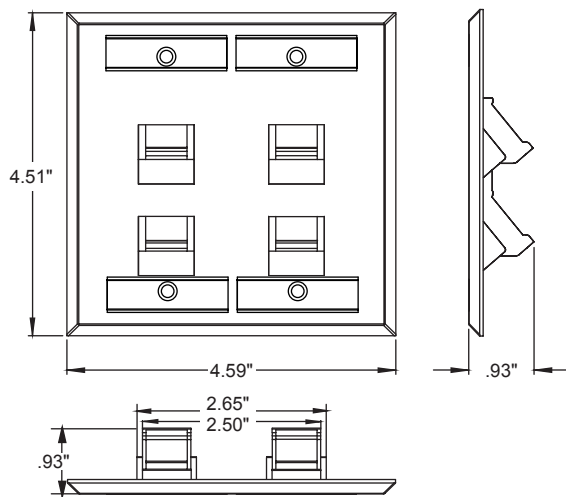
43081-1L2



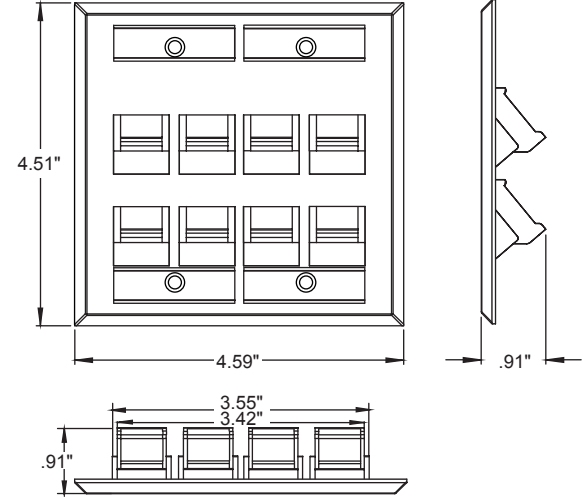
43081-1L4



43081-2L4



43081-2L8



PART NUMBERS

Description

Part No.

Angled Stainless-Steel QuickPort® Wallplate with ID Windows, 2 ports, single gang	43081-1L2
Angled Stainless-Steel QuickPort Wallplate with ID Windows, 4 ports, single gang	43081-1L4
Angled Stainless-Steel QuickPort Wallplate with ID Windows, 4 ports, dual gang	43081-2L4
Angled Stainless-Steel QuickPort Wallplate with ID Windows, 8 ports, dual gang	43081-2L8

Page 2 of 2

E14 4956



Leviton Network Solutions
2222 - 222nd St. SE
Bothell, WA 98021-4416

Asia / Pacific
T +1.631.812.6228
E infoasean@leviton.com

Canada
T +1.514.954.1840
E pcservice@leviton.com

Caribbean
T +1.954.593.1896
E infocaribbean@leviton.com

China
T +852.2774.9876
E infochina@leviton.com

Colombia
T +57.1.743.6045
E infocolombia@leviton.com

tel 1-800-824-3005
tel +1-425-486-2222
appeng@leviton.com
www.leviton.com

Europe
T +33.6.8869.1380
E infoeurope@leviton.com

India / SAARC
T +91.80.4322.5678
E infoindia@leviton.com

Mexico
T +52.55.5082.1040
E lsamarketing@leviton.com

Middle East & Africa
T +971.4.886.4722
E lmeinfo@leviton.com

South Korea
T +82.2.3273.9963
E infokorea@leviton.com