

## Duplex ST Fiber Adapter MOS Modules For Single-Mode Applications

### APPLICATION

For configuring single-mode ST fiber connectivity in the Multimedia Outlet System (MOS). All MOS modules snap into MOS wallplates and surface-mount housings from the front or side.



### SPECIFICATION

The outlet adapter modules shall comply with ANSI/TIA-568-C requirements. It shall be made of fire-retardant plastic. Adapters shall be type ST with ceramic sleeve for single-mode application. Modules shall be interchangeable, mounting between various multimedia surface- and flush-mount outlets. Modules shall be capable of maintaining a minimum cable bend-radius within the area of minimum NEMA box enclosures.

### FEATURES

- Can be used with single-mode fiber
- Modules load into housings from the front or side
- Available in four colors: white, ivory, grey and black
- Available in 1 and 1.5 units high

### DESIGN CONSIDERATIONS

- Modules fit MOS housings and wallplates only
- 1.5-unit high modules have a 45-degree exit/angle
- Use angled modules when a low profile exit is desired
- Place angled modules in bottom of wallplate to allow cable clearance at top of wall opening

### STANDARDS COMPLIANCE

ANSI/TIA-568-C compliant

### PHYSICAL SPECIFICATIONS

Dimensions: See page two

Materials: Fire-retardant plastic, rated UL 94V-0  
ST adapters use zirconia ceramic sleeves

Mounting: Snaps into MOS wallplate or surface-mount housing

### COUNTRY OF ORIGIN

Taiwan

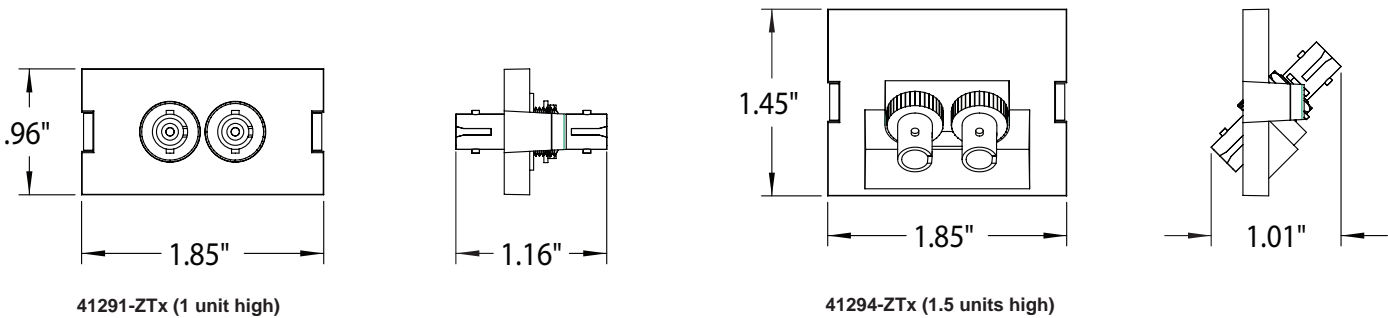
### WARRANTY INFORMATION

For a copy of Leviton product warranties, visit [www.leviton.com/warranty](http://www.leviton.com/warranty).

### ELECTRONIC FILES

For CAD files, typical specs, or technical drawings (.DXF, .DWG), visit [www.leviton.com](http://www.leviton.com).

41291-ZTx, 41294-ZTx



41291-ZTx, 41294-ZTx

**DUPLEX ST FIBER ADAPTER MOS MODULES**

Description	White	Ivory	Grey	Black
1 Duplex ST, zirconia ceramic sleeves, SM, 1 unit high	41291-ZTW	41291-ZTI	41291-ZTG	41291-ZTE
1 Duplex ST, zirconia ceramic sleeves, SM, 1.5 unit high	41294-ZTW	41294-ZTI	41294-ZTC	41294-ZTE



<b>Leviton Network Solutions</b> 2222 - 222nd St. SE Bothell, WA 98021-4416  tel 1-800-824-3005 tel +1-425-486-2222 appeng@leviton.com www.leviton.com	<b>Asia / Pacific</b> T +1.631.812.6228 E infoasean@leviton.com	<b>Canada</b> T +1.514.954.1840 E pcservice@leviton.com	<b>Caribbean</b> T +1.954.593.1896 E infocaribbean@leviton.com	<b>China</b> T +852.2774.9876 E infochina@leviton.com	<b>Colombia</b> T +57.1.743.6045 E infocolombia@leviton.com
	<b>Europe</b> T +33.6.8869.1380 E infoeurope@leviton.com	<b>India / SAARC</b> T +91.80.4322.5678 E infoindia@leviton.com	<b>Mexico</b> T +52.55.5082.1040 E lsamarketing@leviton.com	<b>Middle East &amp; Africa</b> T +971.4.886.4722 E lmeinfo@leviton.com	<b>South Korea</b> T +82.2.3273.9963 E infokorea@leviton.com