

Single-Gang QuickPort® Wallplates for Large Connectors

APPLICATION

Single-Gang QuickPort Wallplates for Large Connectors feature increased vertical spacing between ports to accommodate the added size of larger connectors, such as Leviton shielded connectors and certain A/V connectors. Single-Gang QuickPort Wallplates for Large Connectors are available in 2- or 4-port configurations and in three colors: white, ivory, and light almond.



SPECIFICATION

The wallplate housing shall be a one-piece, single-gang flush-mount style that fits standard NEMA openings. It shall be made of high-impact, fire-retardant plastic rated UL 94V-0, and be cULus Listed and compliant with ANSI/TIA-568-C.0 specifications. Wallplates shall be available in the following colors: ivory, white, and light almond.

FEATURES

- Fits within minimum rectangular NEMA openings
- Compatible with larger-sized connectors, such as Leviton Shielded Connectors
- Color-matched screws

DESIGN CONSIDERATIONS

- Single-gang fits standard NEMA single-gang back boxes
- Install blanks (41084-B*B) in unused ports for future expansion
- Specify port identification method (colored modules, designation labels, and custom silk-screening available). To identify ports, use different colored connectors for each application, or Leviton pre-printed Port Designation Labels (41080-LEB)

STANDARDS COMPLIANCE

- cULus listed (UL 1863 & CAN/CSA-C22.2 No. 182.4)
- ANSI/TIA-568-C.0

PHYSICAL SPECIFICATIONS

Dimensions: See page two.

Materials: High-impact, fire-retardant plastic rated UL 94V-0.

COUNTRY OF ORIGIN

Taiwan

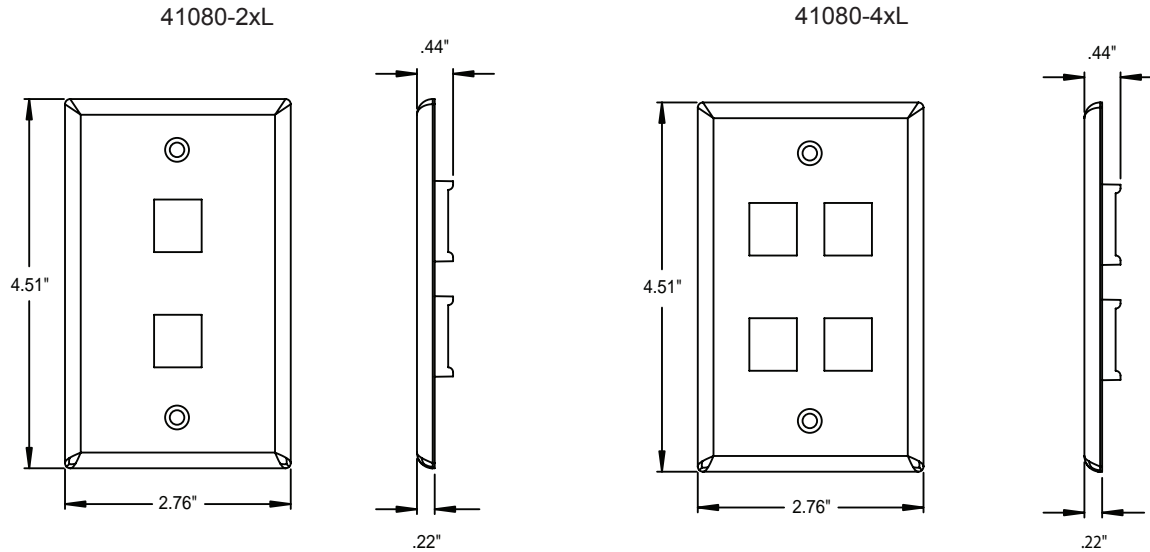
WARRANTY INFORMATION

For a copy of Leviton product warranties, visit www.leviton.com/warranty.

41080-2XL, 41080-4XL

ELECTRONIC FILES

For CAD files, typical specs, or technical drawings (.DXF, .DWG), visit www.leviton.com.



PART NUMBERS

Description	WHITE	IVORY	LT. ALMOND
Single-Gang QuickPort® Wallplate for Large Connectors, 2 Ports	41080-2WL	41080-2IL	41080-2TL
Single-Gang QuickPort Wallplate for Large Connectors, 4 Ports	41080-4WL	41080-4IL	41080-4TL



Leviton Network Solutions
 2222 - 222nd St. SE
 Bothell, WA 98021-4416

Asia / Pacific
 T +1.631.812.6228
 E infoasean@leviton.com

Canada
 T +1.514.954.1840
 E pcservice@leviton.com

Caribbean
 T +1.954.593.1896
 E infocaribbean@leviton.com

China
 T +852.2774.9876
 E infochina@leviton.com

Colombia
 T +57.1.743.6045
 E infocolombia@leviton.com

tel 1-800-824-3005
 tel +1-425-486-2222
 appeng@leviton.com
 www.leviton.com

Europe
 T +33.6.8869.1380
 E infoeurope@leviton.com

India / SAARC
 T +971.4.886.4722
 E infoindia@leviton.com

Mexico
 T +52.55.5082.1040
 E lsamarketing@leviton.com

Middle East & Africa
 T +971.4.886.4722
 E lmeinfo@leviton.com

South Korea
 T +82.2.3273.9963
 E infokorea@leviton.com