

RCA Feedthrough QuickPort® Connector

APPLICATION

The RCA Feedthrough QuickPort Connector provides audio connectivity for workstation cabling for termination on UTP cable, speaker wire, or shielded AV cable. The connectors snap into any QuickPort housing: flush- and surface-mount outlets, Multimedia Outlet System (with adapter), Decora® Inserts, patch panels, and patch blocks.



SPECIFICATION

The connector shall be individual snap-in style female-to-female bulkhead adapters, and shall fit all other installed telecommunications wallplates, outlets, and field-configurable patch panels and patch blocks. The connector shall be available in a variety of colors to match the housings or wallplates. Connectors shall be UL listed. All plastics used in construction of the module bodies shall be fire retardant.

FEATURES

- Compatible with all QuickPort wallplates, housings, and panels
- Available in a variety of colors to match housings or wallplates
- Standard colors for signal identification

DESIGN CONSIDERATIONS

- Check clearance behind proposed location of bulkhead module to ensure space for proper bend-radius of cabling media

STANDARDS COMPLIANCE

- cULus Listed (UL 1863 , CAN/CSA-C22.2 No. 182.4-1990)

PHYSICAL SPECIFICATIONS

Dimensions: See page two

Materials: Connector bodies are high-impact, fire-retardant

RCA is gold flash-plated 5-15 µm

Colors: Ivory, white, light almond, grey, black, and brown

COUNTRY OF ORIGIN

China

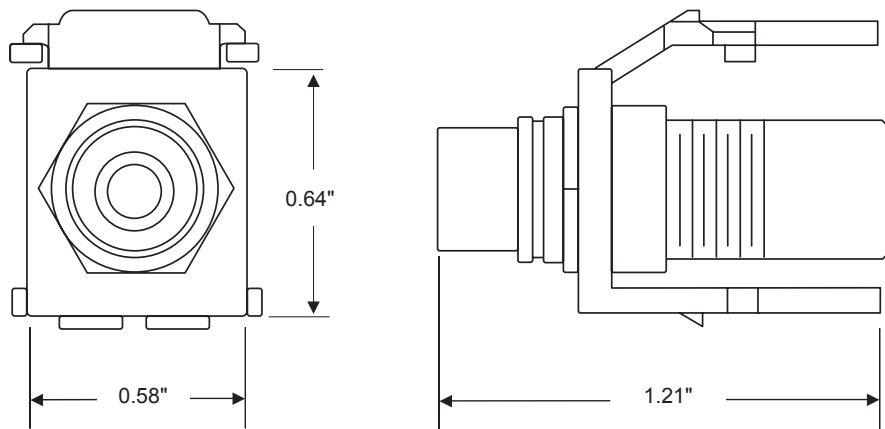
WARRANTY INFORMATION

For a copy of Leviton product warranties, visit www.leviton.com/warranty.

40830-BXX

ELECTRONIC FILES

For CAD files, typical specs, or technical drawings (.DXF, .DWG), visit www.leviton.com.



40830-Bxx

PART NUMBERS

Description	WHITE	LT. ALMOND	IVORY	GREY	BLACK	BROWN
RCA Feedthrough QuickPort® Connector, gold plated, black stripe	40830-BWE	40830-BTE	40830-BIE	40830-BGE	40830-BEE	40830-BBE
RCA Feedthrough QuickPort Connector, gold plated, red stripe	40830-BWR	40830-BTR	40830-BIR	40830-BGR	40830-BER	40830-BBR
RCA Feedthrough QuickPort Connector, gold plated, yellow stripe	40830-BWY	40830-BTY	40830-BIY	-	-	-
RCA Feedthrough QuickPort Connector, gold plated, green stripe	40830-BWV	-	40830-BIV	-	-	-
RCA Feedthrough QuickPort Connector, gold plated, blue stripe	40830-BWL	-	40830-BIL	-	-	-



Leviton Network Solutions
2222 - 222nd St. SE
Bothell, WA 98021-4416

Asia / Pacific
T +1.631.812.6228
E infoasean@leviton.com

Canada
T +1.514.954.1840
E pcservice@leviton.com

Caribbean
T +1.954.593.1896
E infocaribbean@leviton.com

China
T +852.2774.9876
E infochina@leviton.com

Colombia
T +57.1.743.6045
E infocolombia@leviton.com

tel 1-800-824-3005
tel +1-425-486-2222
appeng@leviton.com
www.leviton.com

Europe
T +33.6.8869.1380
E infoeurope@leviton.com

India / SAARC
T +91.80.4322.5678
E infoindia@leviton.com

Mexico
T +52.55.5082.1040
E lsamarketing@leviton.com

Middle East & Africa
T +971.4.886.4722
E lmeinfo@leviton.com

South Korea
T +82.2.3273.9963
E infokorea@leviton.com