

MODEL:

SRWF5U

SmartRack® Low-Profile Wall-Mount Rack Enclosure Cabinet



5 Rack Units



150 lb Load Rating



Sturdy Steel Construction



Locking Doors & Side Panels



Standard 19" Rack Width



Convenient Cable Access



Adjustable Mounting Rails



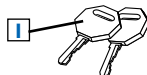
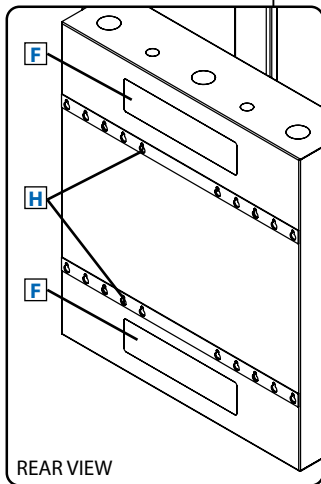
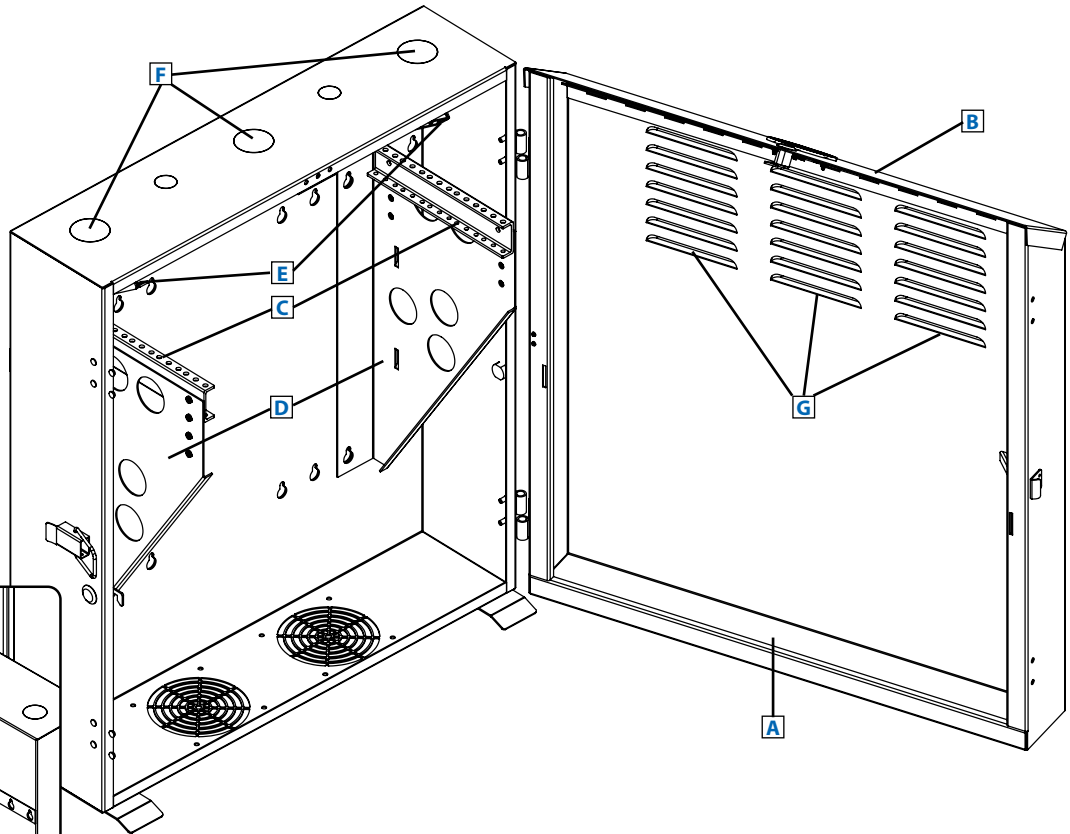
Ventilated for Ample Airflow



Reversible Door

- A** Front Door (Lockable/Reversible)
- B** Top Panel Door (Lockable)
- C** Horizontal Mounting Rails (Adjustable/Reversible)
- D** Vertical Mounting Brackets
- E** Patch Panel Mounting Bracket
- F** Cable Access Holes
- G** Vents
- H** Wall-Mounting Slots
- I** Keys

Also Includes: Owner's manual and rackmount equipment mounting hardware (12 M6 screws, 12 M6 cup washers and 12 12-24 screws).



- Wall-mount enclosures provide convenient, locking storage for rackmount IT devices and other equipment that should be off the floor, out of the way and secure
- Low-profile design with vertical equipment mounting is ideal for back office or network closet applications where space is limited

SEE NEXT PAGE FOR DETAILED UNIT MEASUREMENTS

Specifications

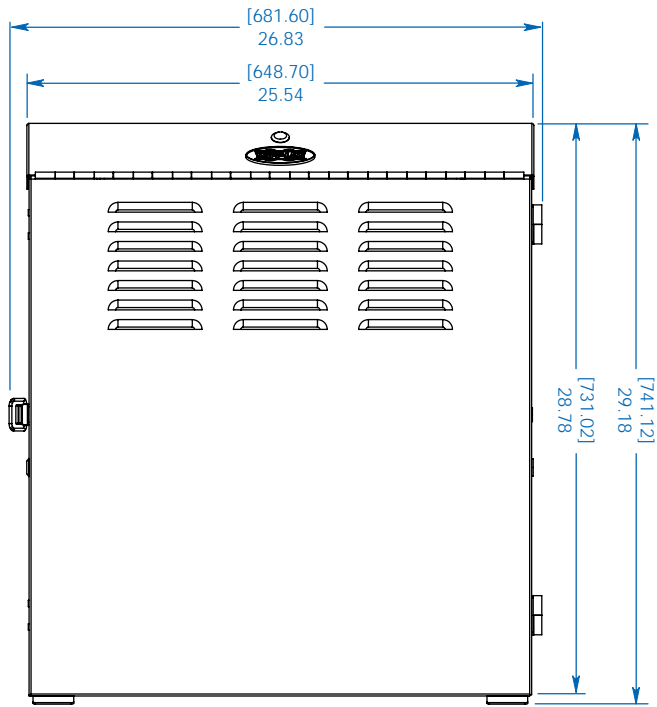


Model	SRWF5U
Rack Spaces	5U
Equipment Mounting Depth	Up to 20 in (508 mm)
Load Rating*	150 lb (68 kg)
Unit Dimensions (H x W x D)	28.8 x 25.6 x 9.7 in (731.5 x 650.2 x 245.4 mm)
Shipping Dimensions (H x W x D)	31.5 x 27.6 x 12 in (800.1 x 701 x 304.8 mm)
Unit Weight	29 lb (13 kg)
Shipping Weight	49 lb (22.1 kg)
Standards	Tested to EIA-310-E, NOM, RoHS, PCI-DSS

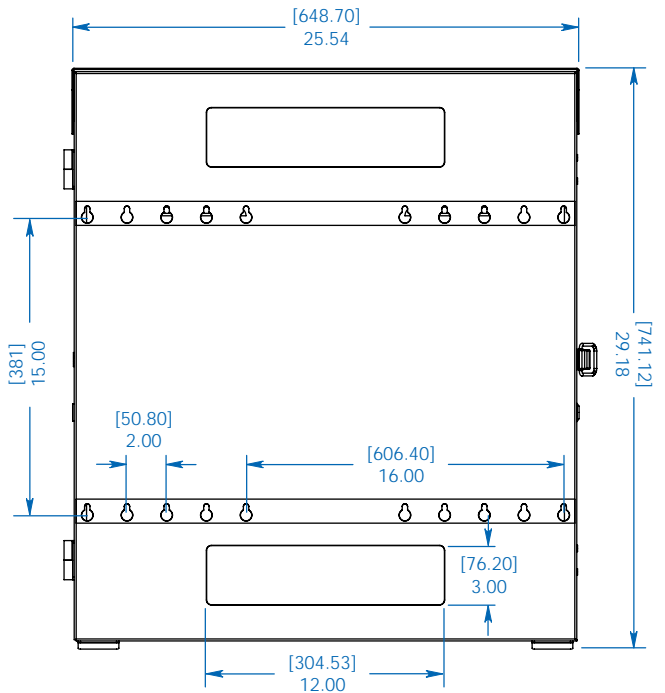
* The load rating includes the combined weight of the unit and installed equipment. The unit must be mounted to a stable surface with user-supplied anchors capable of bearing the full load. Tripp Lite has a policy of continuous improvement. Specifications are subject to change without notice.



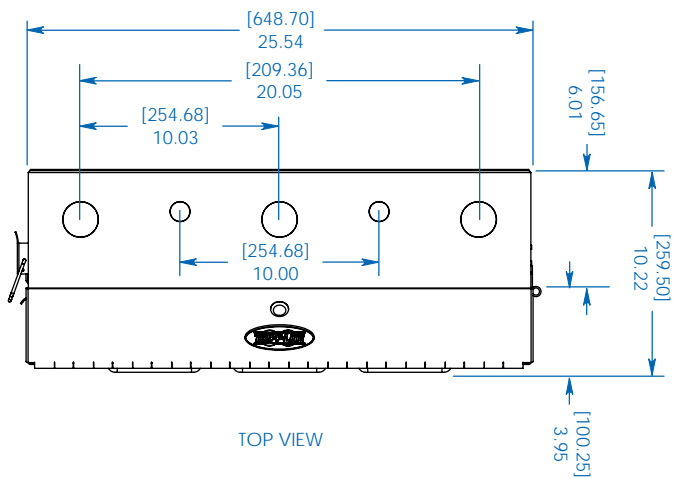
1111 W. 35th Street
Chicago, IL 60609 USA
773.869.1234
www.tripplite.com



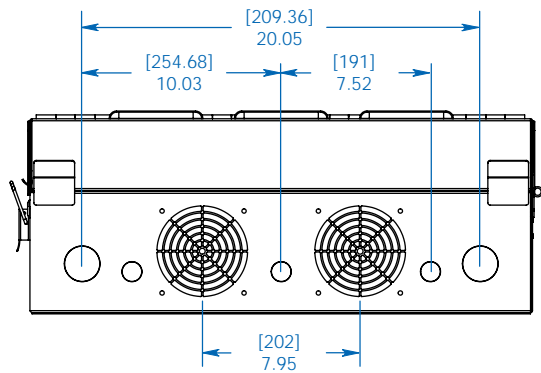
FRONT VIEW



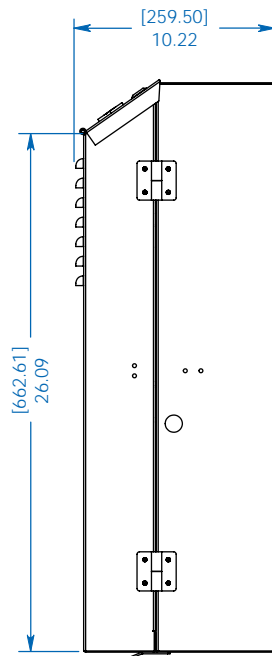
REAR VIEW



TOP VIEW



BOTTOM VIEW



SIDE VIEW

MODEL:
SRWF5U



1111 W. 35th Street
Chicago, IL 60609 USA
773.869.1234

www.tripplite.com

Dimensions: [mm] INCHES

Tripp Lite has a policy of continuous improvement. Specifications are subject to change without notice.