

MODEL:

SRW10US

SmartRack® Wall-Mount Rack Enclosure Cabinet



10 Rack Units



200 lb Load Rating



Sturdy Steel Construction



Locking Doors & Side Panels



Standard 19" Rack Width



Convenient Cable Access



Hinged Wall Bracket



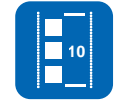
Adjustable Mounting Rails



Ventilated for Ample Airflow



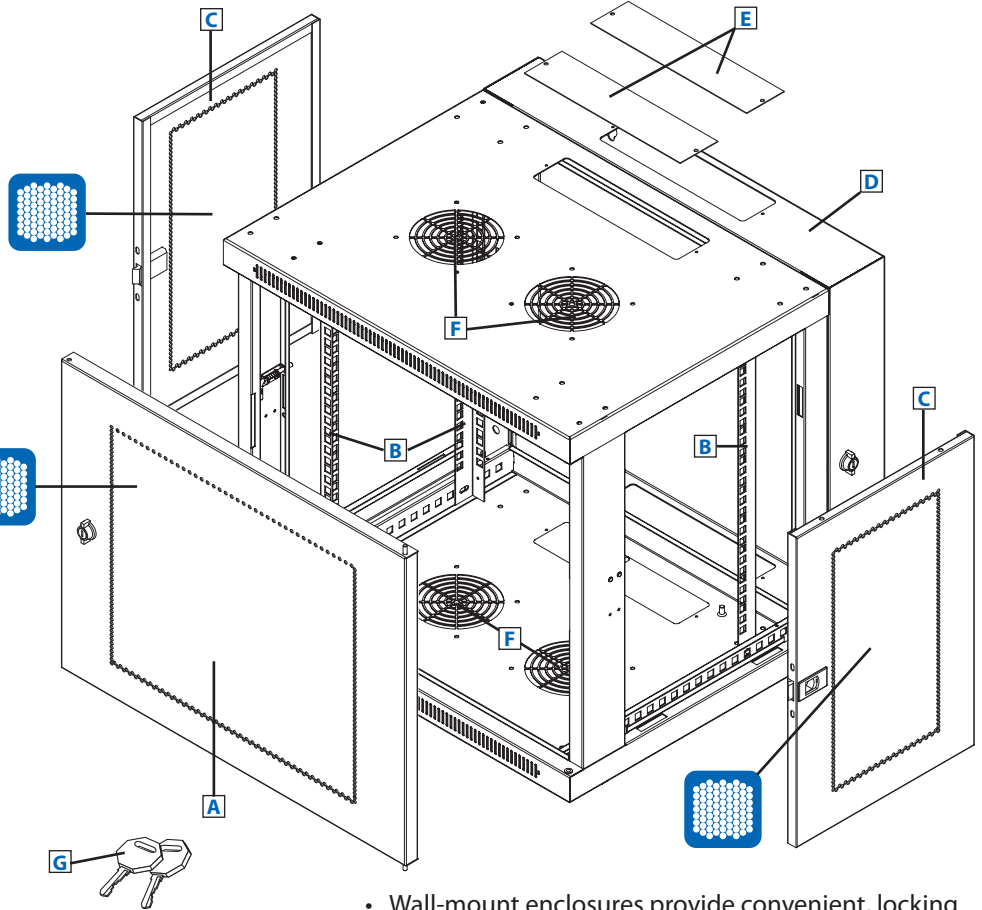
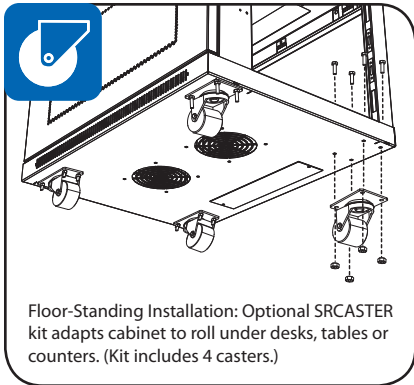
Reversible Cabinet



Square Hole Mounting

- A** Front Door (Lockable/Removable/Reversible)
- B** Adjustable Mounting Rails (4)
- C** Side Panels (2) (Lockable/Removable)
- D** Hinged Wall Bracket (Lockable/Reversible. Allows the cabinet to swing away from the wall for convenient rear access to equipment and cabling.)
- E** Cable Access Port Covers (2) (Removable)
- F** Ventilation Fan Ports (4) (Support optional SRFANWM fan kit.)
- G** Keys (2)

Also Includes: Owner's manual, mounting plate screws (3), cabinet ground screw, pre-installed front door ground wire and rackmount equipment mounting hardware (12 cage nuts, 12 mounting screws, 12 nylon cup washers).



- Wall-mount enclosures provide convenient, locking storage for rackmount IT devices and other equipment that should be off the floor, out of the way and secure
- The cabinet is fully reversible, allowing installers to change door hinges from left to right by simply rotating the unit 180 degrees before mounting
- Hinged wall bracket allows cabinet to swing away from the wall for convenient access to equipment and cabling

SEE NEXT PAGE FOR DETAILED UNIT MEASUREMENTS

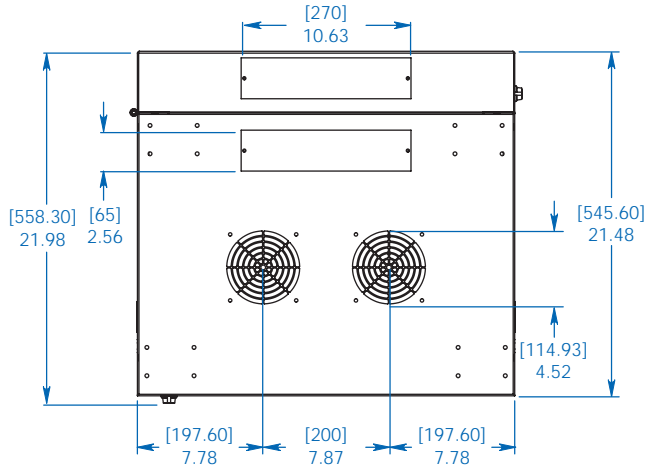
Specifications

Model	SRW10US
Rack Spaces	10U
Equipment Mounting Depth	Up to 20.5 in (520.7 mm)
Load Rating*	200 lb (90.7 kg)
Unit Dimensions (H x W x D)	21.57 x 23.62 x 21.6 in (547.8 x 600 x 549 mm)
Shipping Dimensions (H x W x D)	24.41 x 26.38 x 24.41 in (620 x 670 x 620 mm)
Unit Weight	55 lb (24.94 kg)
Shipping Weight	59 lb (26.76 kg)
Regulatory Compliance	Meets EIA-310-E, NOM, RoHS, PCI-DSS, IEC 60297-3-100 and DIN 41494 standards; IP20 Protection Rating

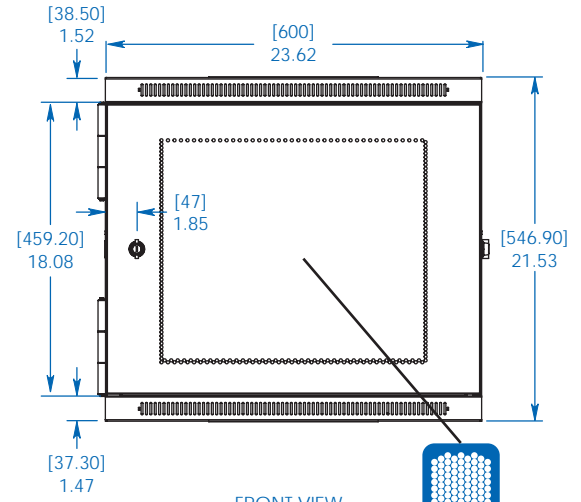
* The load rating includes the combined weight of the unit and installed equipment. The unit must be mounted to a stable surface with user-supplied anchors capable of bearing the full load. Tripp Lite has a policy of continuous improvement. Specifications are subject to change without notice.



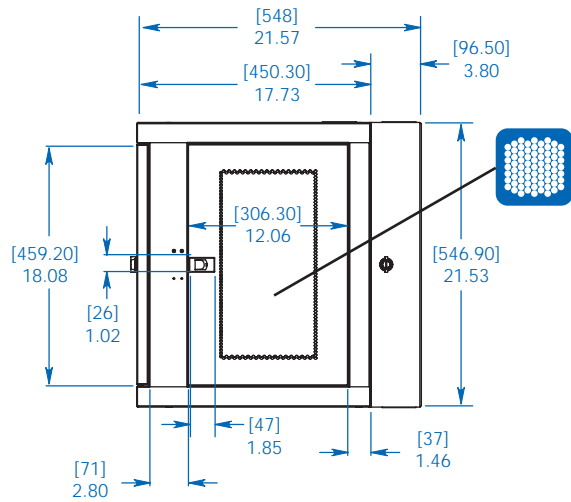
1111 W. 35th Street
Chicago, IL 60609 USA
773.869.1234
www.tripplite.com



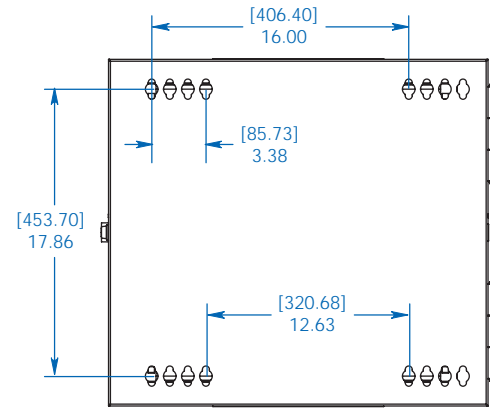
TOP/BOTTOM VIEW



FRONT VIEW



SIDE VIEW

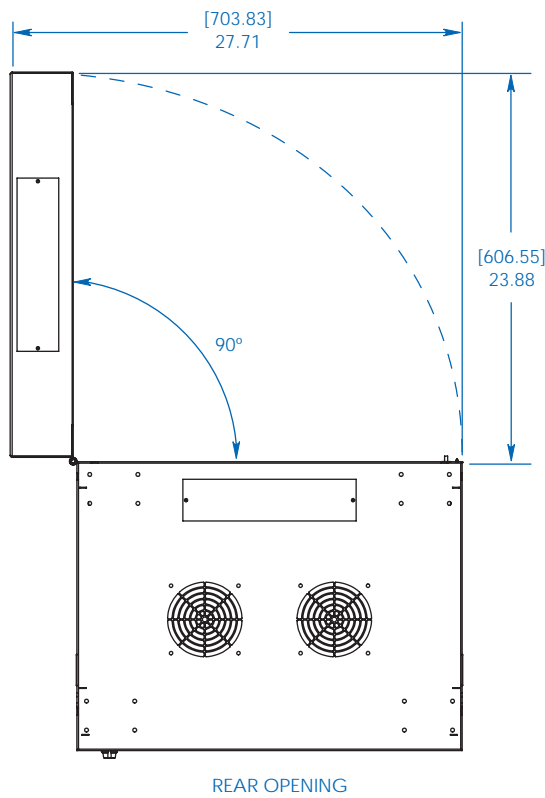
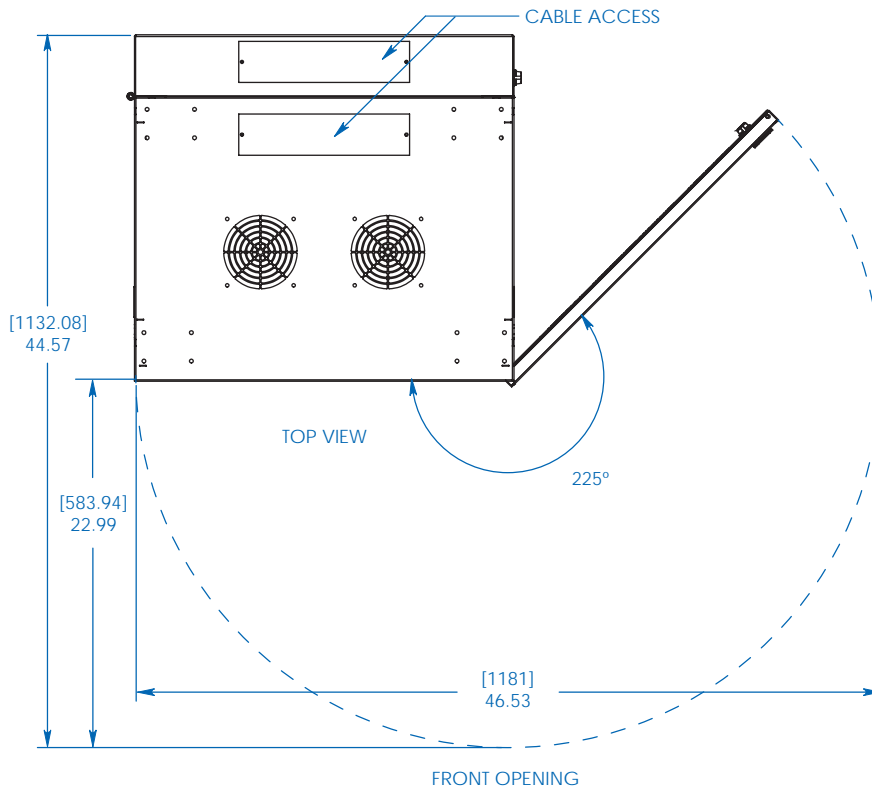


REAR VIEW

Dimensions: [mm] INCHES

Tripp Lite has a policy of continuous improvement. Specifications are subject to change without notice.





Dimensions: [mm] INCHES

Tripp Lite has a policy of continuous improvement. Specifications are subject to change without notice.

MODEL:
SRW10US

TRIPP·LITE

1111 W. 35th Street
Chicago, IL 60609 USA
773.869.1234
www.tripplite.com