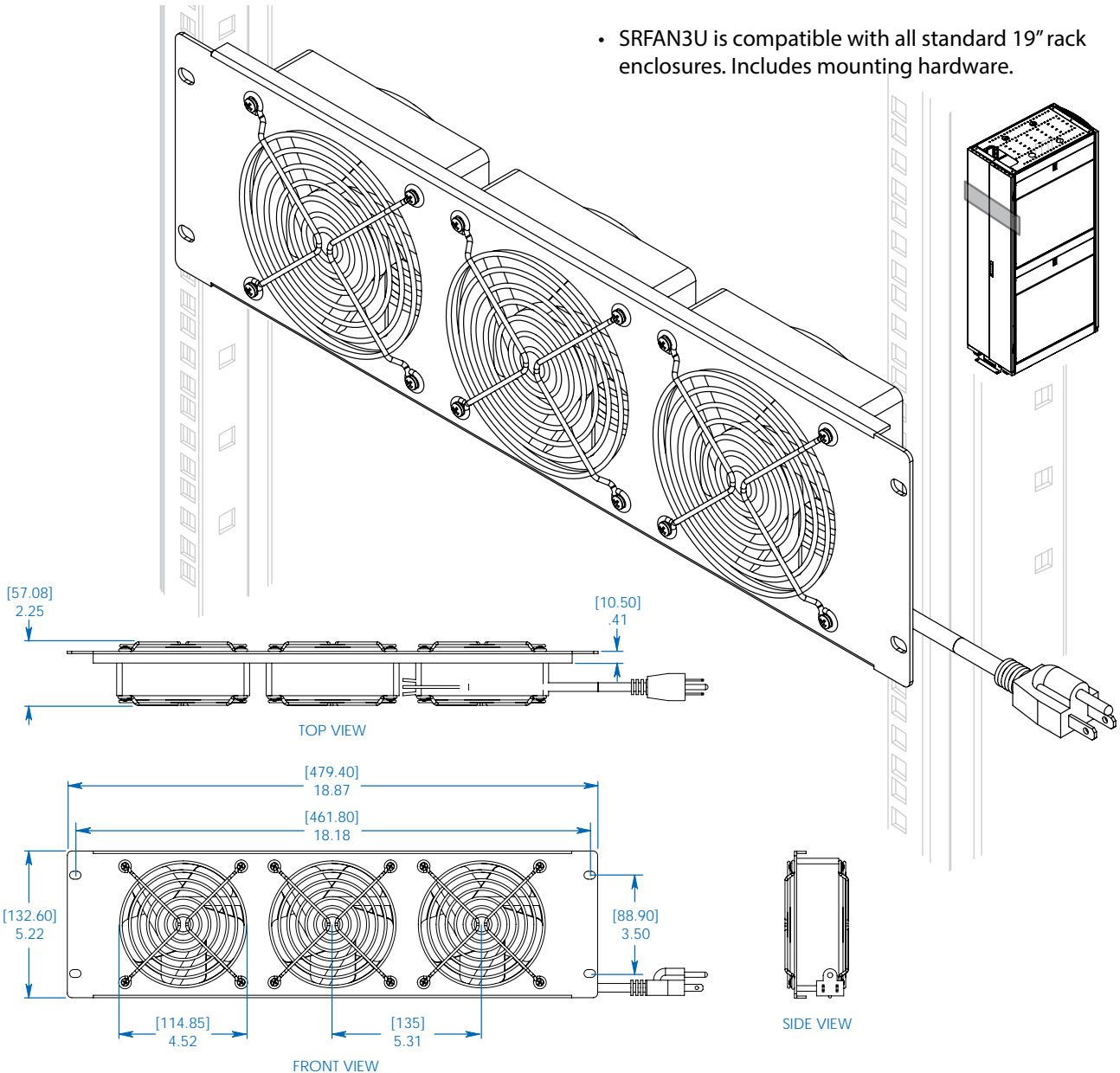


MODEL:

# SRFAN3U

## 3U Panel-Mounted Triple Fan Accessory

- SRFAN3U is compatible with all standard 19" rack enclosures. Includes mounting hardware.



### Specifications



<b>Model</b>	<b>SRFAN3U</b>
<b>Material of Construction (Base Plate):</b>	Cold Rolled Steel
<b>Fan Type:</b>	4 in. - 120V, high-performance (x3)
<b>Airflow (Cubic Feet per Minute):</b>	210
<b>Input Connector:</b>	5-15P
<b>Cord Length:</b>	6 ft. (1.8 m)
<b>Unit Dimensions (H x W x D):</b>	5 x 18.87 x 19 in (132.6 x 479.3 x 479.4 mm)
<b>Shipping Dimensions (H x W x D):</b>	6 x 3 x 20 in (152 x 76 x 508 mm)
<b>Unit Weight:</b>	5.5 lb (2.5 kg)
<b>Shipping Weight:</b>	7.7 lb (3.5 kg)
<b>Certification:</b>	RoHS

Tripp Lite has a policy of continuous improvement. Specifications are subject to change without notice.



1111 W. 35th Street  
Chicago, IL 60609 USA  
773.869.1234  
www.tripplite.com

Dimensions: [mm] INCHES