

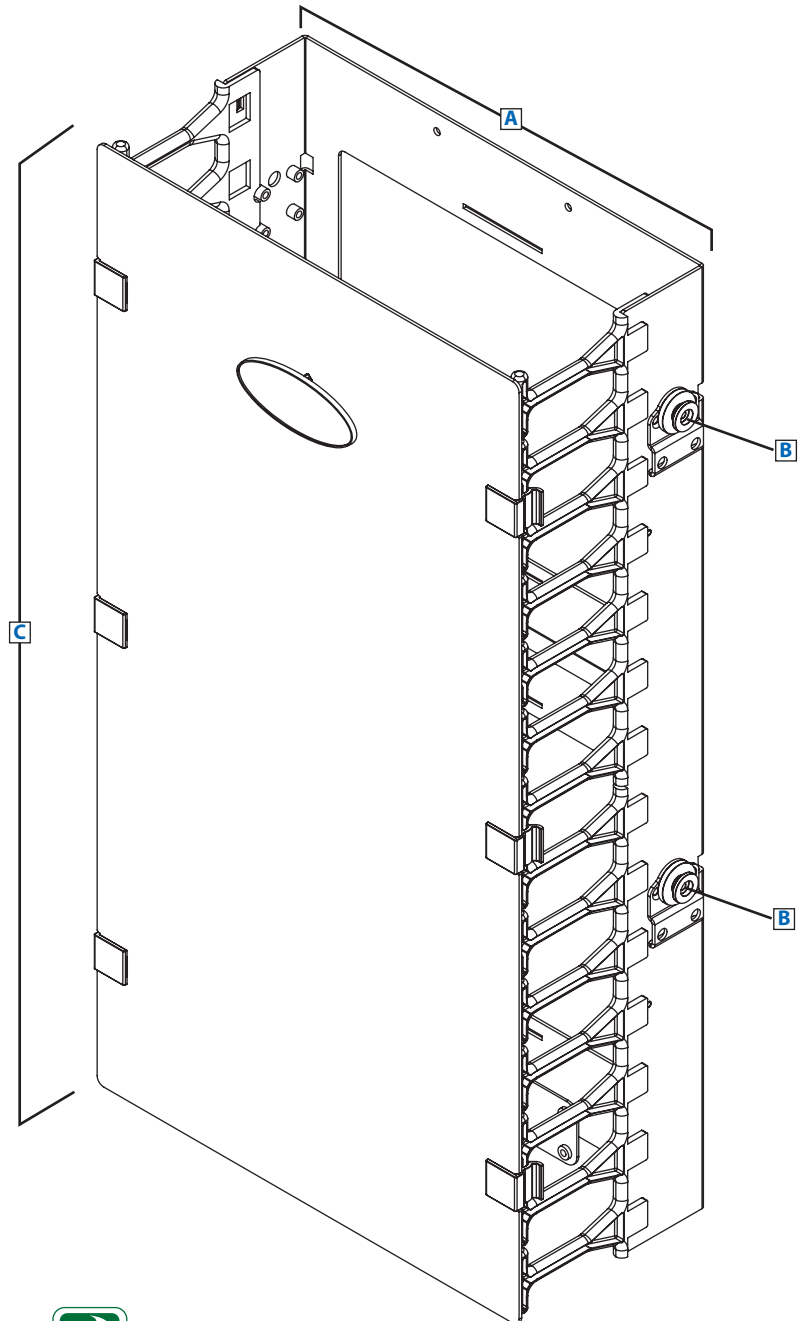
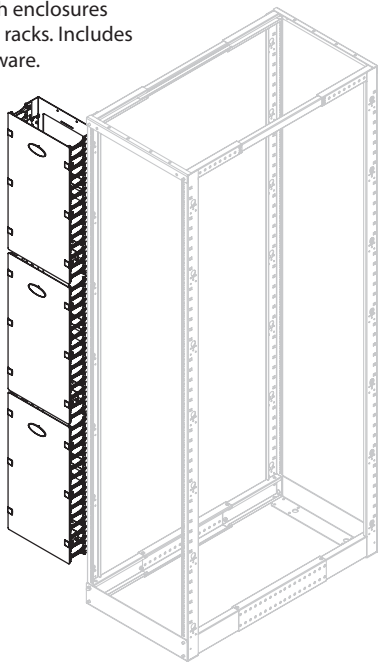
MODEL:

SRCABLEVRT12

12-Inch Wide High-Capacity Vertical Cable Manager (Double Finger Duct with Cover)

- A** High-Capacity (12-Inch) Width for Large Cable Bundles
- B** Toolless Mounting Buttons
- C** Three-Piece Design (Split Into Three 2-Foot Sections)

SRCABLEVRT12 organizes cables and helps eliminate cable stress. It is compatible with most standard 19-inch enclosures and open frame racks. Includes mounting hardware.



Specifications

Model	SRCABLEVRT12
Unit Dimensions (H x W x D)	24.45 x 12.83 x 6.01 in (621 x 325.94 x 152.77 mm)
Shipping Dimensions (H x W x D)	5.25 x 25.5 x 25.5 in (133.35 x 647.70 x 647.70 mm)
Unit Weight	9.2 lb (4.17 kg)
Shipping Weight	30 lb (13.61 kg)
Regulatory Compliance	Meets RoHS standards

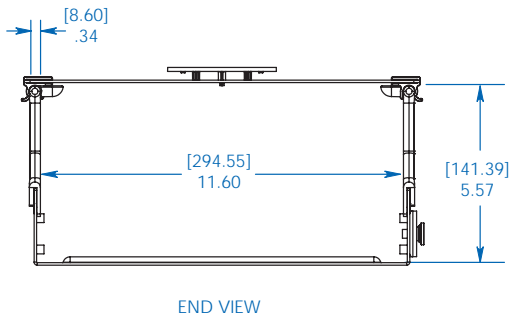
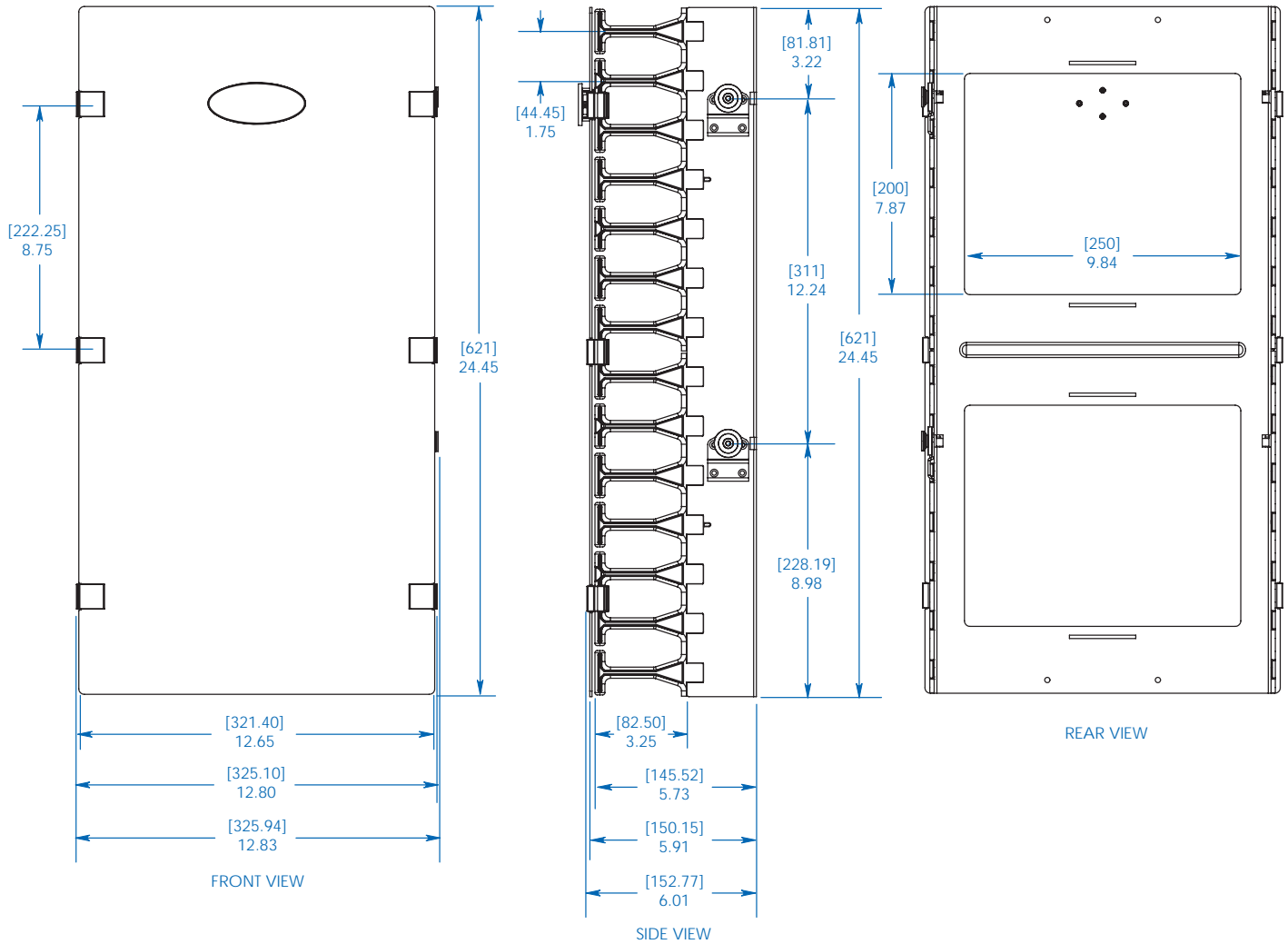
Tripp Lite has a policy of continuous improvement. Specifications are subject to change without notice.



SEE NEXT PAGE FOR DETAILED UNIT MEASUREMENTS



1111 W. 35th Street
Chicago, IL 60609 USA
773.869.1234
www.tripplite.com



Dimensions: [mm] INCHES

Tripp Lite has a policy of continuous improvement. Specifications are subject to change without notice.

MODEL:
SRCABLEVRT12



1111 W. 35th Street
Chicago, IL 60609 USA
773.869.1234

www.tripplite.com