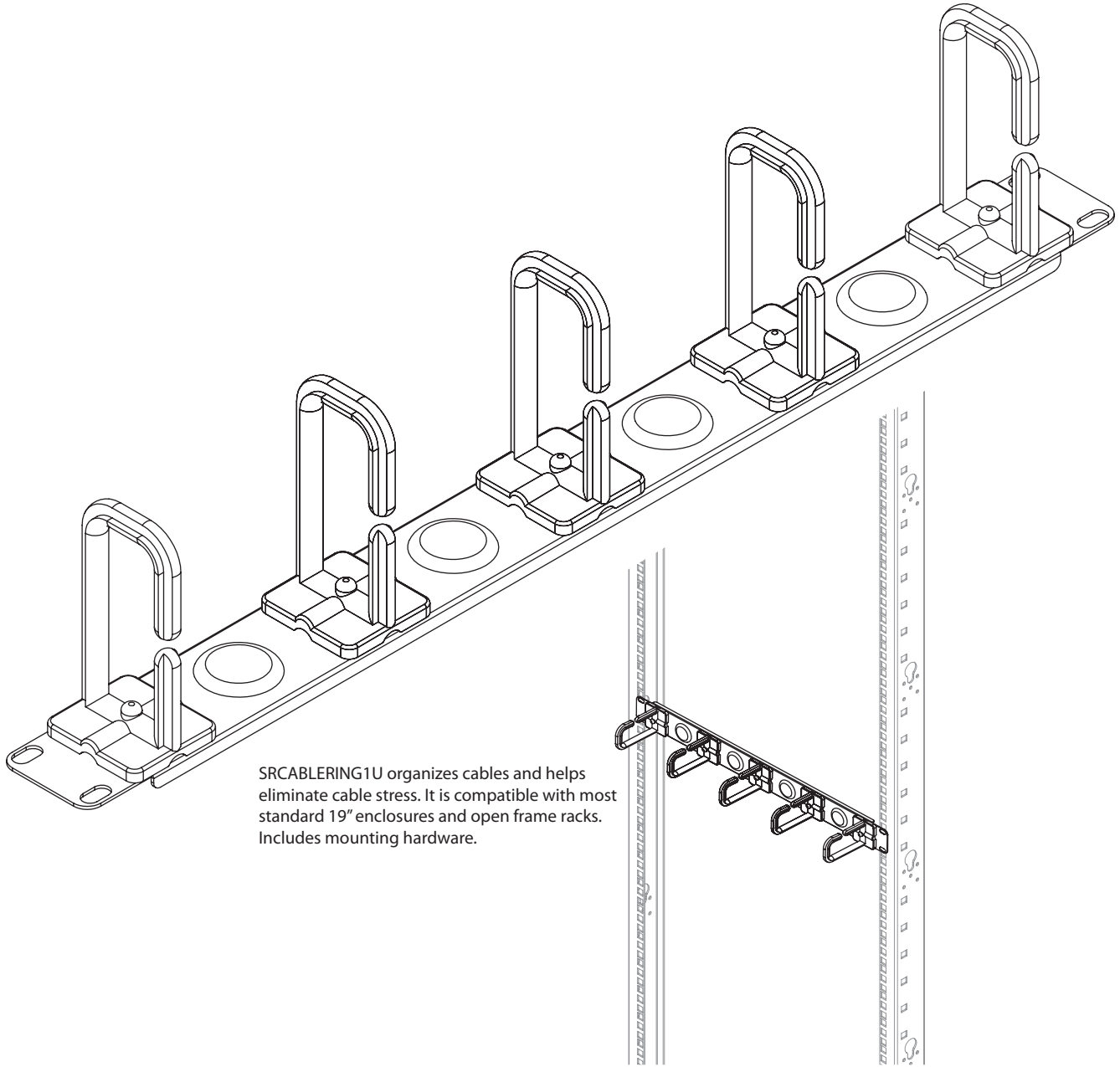


MODEL:

SRCABLERING1U

Horizontal Cable Manager (Flexible Ring Type)



SRCABLERING1U organizes cables and helps eliminate cable stress. It is compatible with most standard 19" enclosures and open frame racks. Includes mounting hardware.

Specifications

Model	SRCABLERING1U
Unit Dimensions (H x W x D)	1.7 x 3.8 x 19 in (43.18 x 96.52 x 482.6 mm)
Shipping Dimensions (H x W x D)	2.5 x 4.25 x 19.5 in (63.5 x 108 x 495.3 mm)
Unit Weight	.75 lb (.34 kg)
Shipping Weight	1 lb (.45 kg)
Regulatory Compliance	Meets RoHS standards

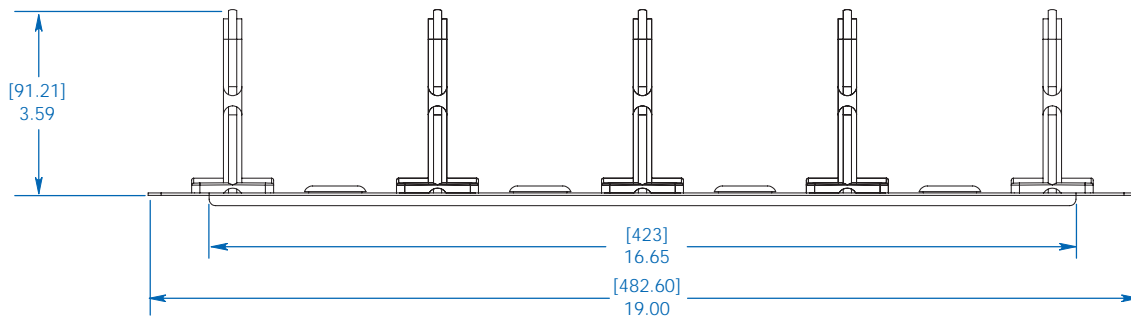
Tripp Lite has a policy of continuous improvement. Specifications are subject to change without notice.



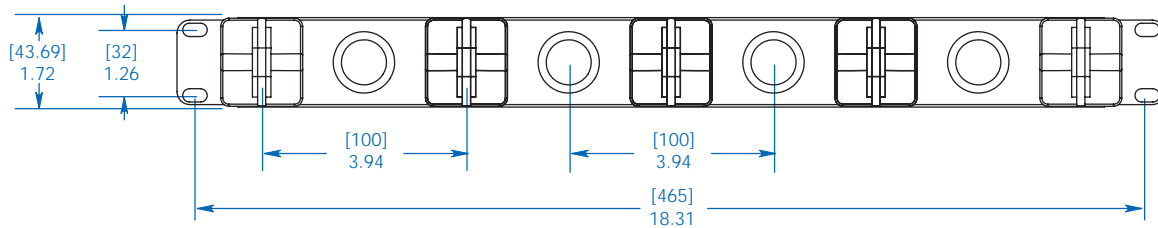
SEE NEXT PAGE FOR DETAILED UNIT MEASUREMENTS



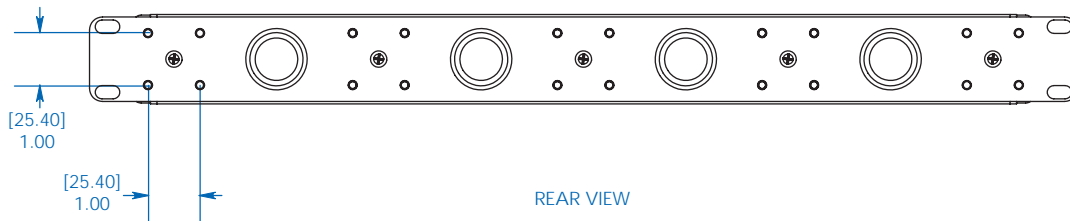
1111 W. 35th Street
Chicago, IL 60609 USA
773.869.1234
www.tripplite.com



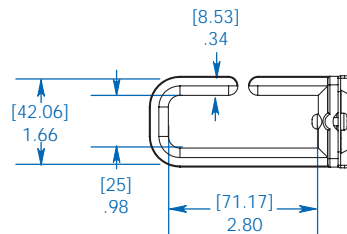
SIDE VIEW



FRONT VIEW



REAR VIEW



END VIEW

MODEL:
SRCABLERING1U



1111 W. 35th Street
Chicago, IL 60609 USA
773.869.1234

www.tripplite.com

Dimensions: [mm] INCHES

Tripp Lite has a policy of continuous improvement. Specifications are subject to change without notice.