

MODELS:

SR45UBWD / SR45UBWDSP1

SmartRack™ Wide Rack Enclosure



45 Rack Units



3000 lb
Stationary
Load Rating



2250 lb
Rolling
Load Rating



Heavy-Duty
Casters



Locking Doors
& Side Panels



Accommodates
Standard
19-inch
Equipment



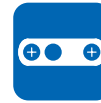
Toolless
Mounting Slots



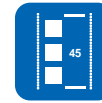
Adjustable
Rails with
Easy-View
Depth Index



Airflow
Exceeds
Server OEM
Requirements



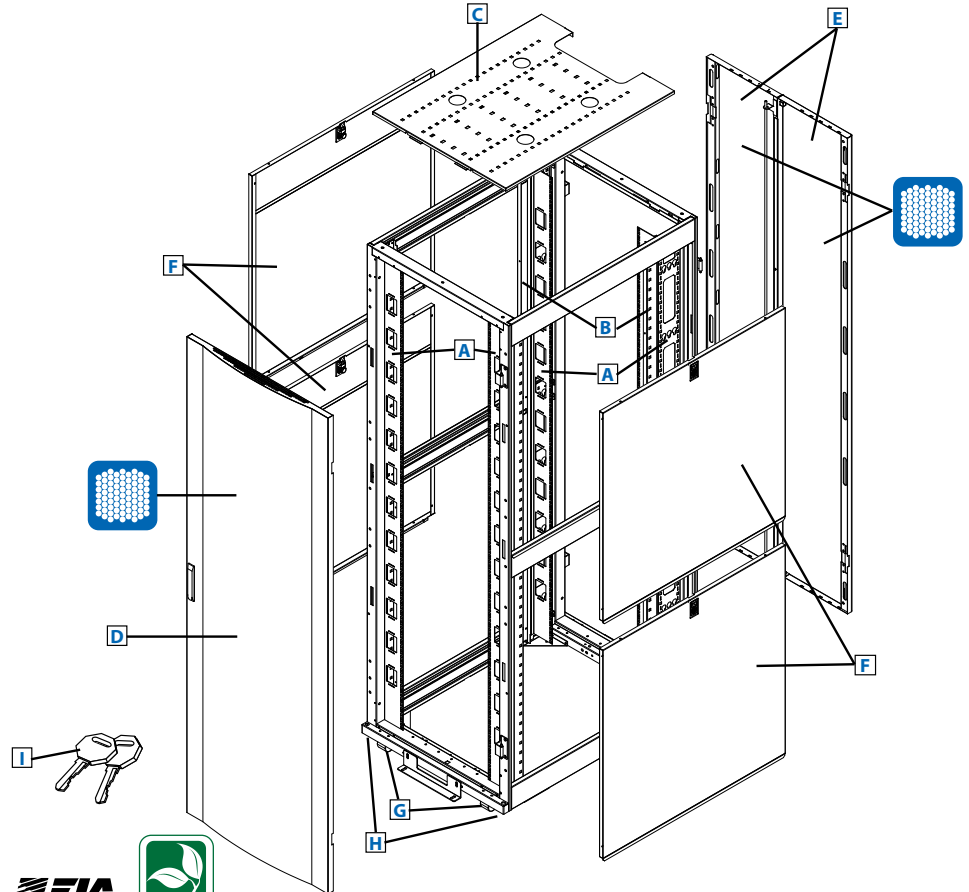
Integrated
Baying Tabs



Square Hole
Mounting

- A** Adjustable Mounting Rails
- B** Adjustable PDU Mounting Rails with Toolless Mounting Slots
- C** Roof Panel (Removable)
- D** Front Door (Lockable/Removable/Reversible)
- E** Split Rear Doors (Lockable/Removable)
- F** Side Panels (Lockable/Removable)
- G** Heavy-Duty Casters
- H** Heavy-Duty Levelers
- I** Keys (For doors and side panels.)

Also Includes: Owner's manual, 2 stabilizing brackets and rackmount equipment mounting hardware (50 cage nuts, 50 mounting screws, 50 nylon cup washers).



Specifications

| | |
|--|--|
| Model | SR45UBWD |
| Rack Spaces | 45U |
| Stationary Load Rating | 3000 lb (1363 kg) |
| Rolling Load Rating | 2250 lb (1022 kg) |
| Unit Dimensions (H x W x D) | 83.75 x 29.53 x 43 in. (2127 x 750 x 1092 mm) |
| Shipping Dimensions (H x W x D) | 90.25 x 32 x 45 in. (2292 x 813 x 1143 mm) |
| Unit Weight | 340 lb (154 kg) |
| Shipping Weight | 390 lb (177 kg) |
| Certifications | Tested to UL 60950, TIA/EIA-310-E, NOM, ROHS, CE (Accommodates all standard 19-inch rackmount equipment regardless of vendor.) |
| Model | SR45UBWDSP1 (with shock pallet) |
| Unit Weight | 340 lb (154 kg) |
| Shipping Weight | 390 lb (177 kg) |

Tripp Lite has a policy of continuous improvement. Specifications are subject to change without notice.

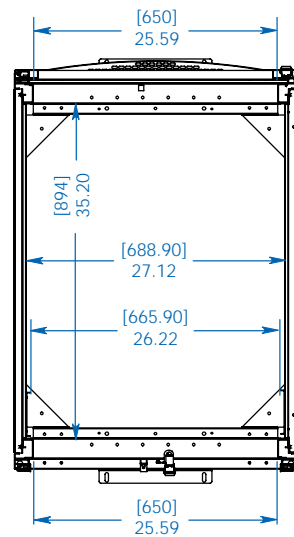
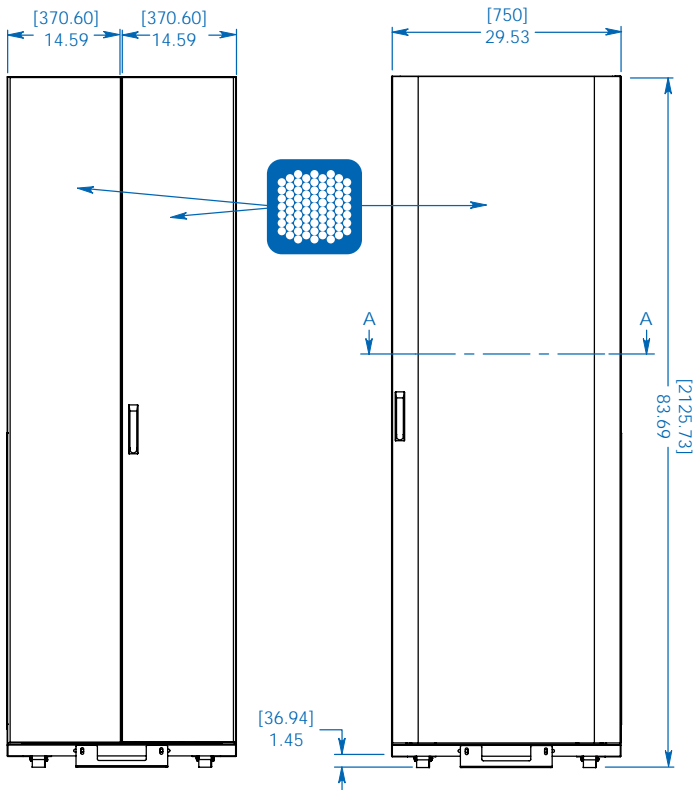
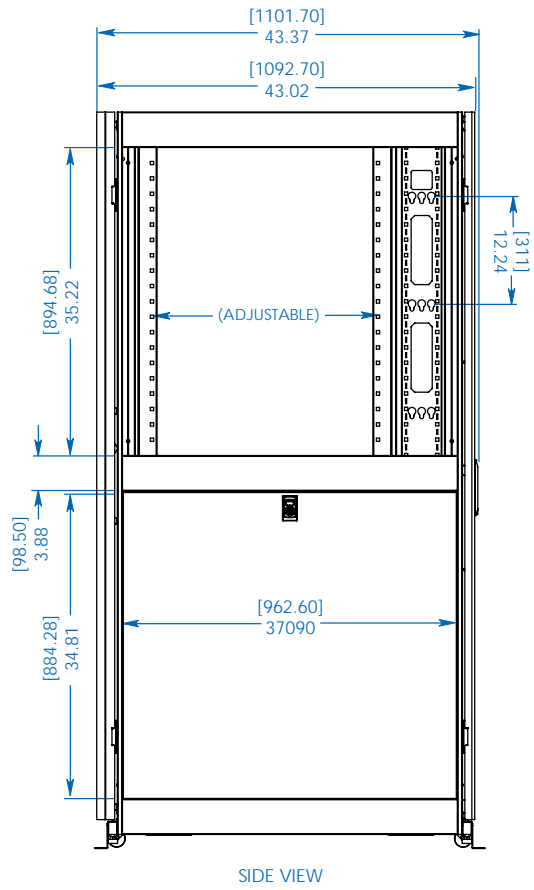
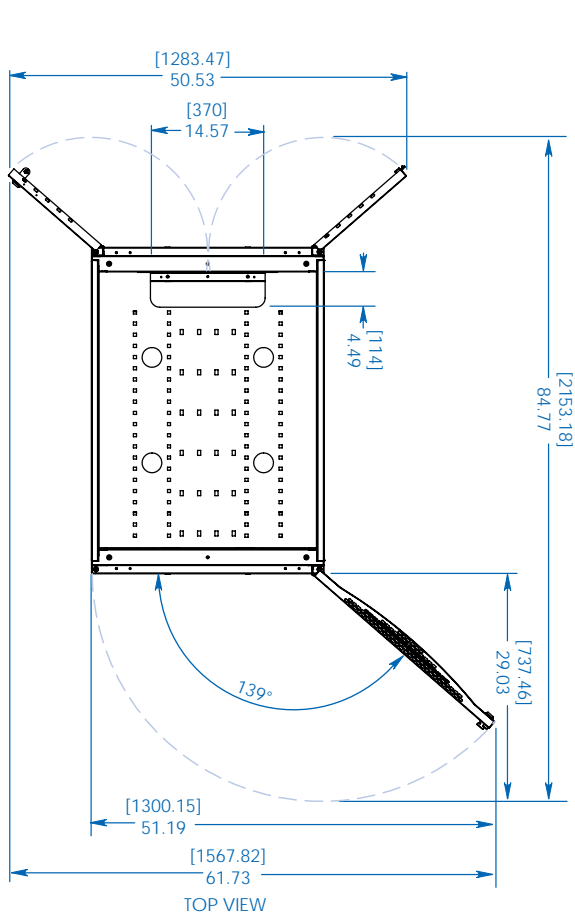
- Ships ready for rapid deployment, but can be knocked down for easy reassembly in confined spaces
- Modular design optimized for quick configuration and reconfiguration
- Ideal for rackmount server, network and telecom applications

SEE NEXT PAGE FOR DETAILED UNIT MEASUREMENTS



1111 W. 35th Street
Chicago, IL 60609 USA
773.869.1234
www.tripplite.com

Note: Shock pallet models come with special packaging to facilitate equipment pre-installation and reshipment to final site. Heavy-duty shock pallet holds up to 1250 lb (568 kg), including the weight of the enclosure and pre-installed equipment. Add "SP1" to model numbers above to order shock pallet models.

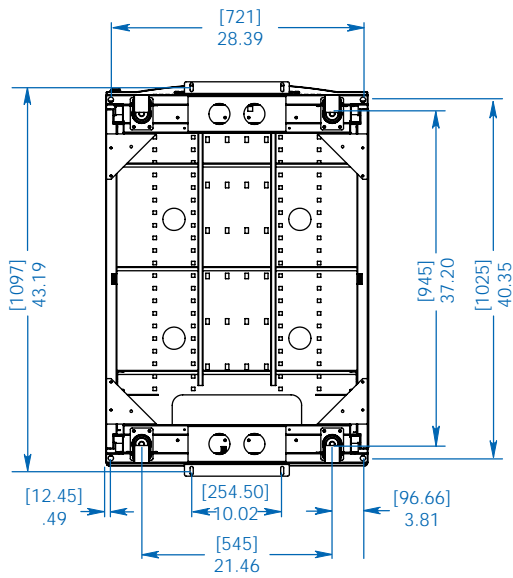


MODELS:
SR45UBWD
SR45UBWDSP1

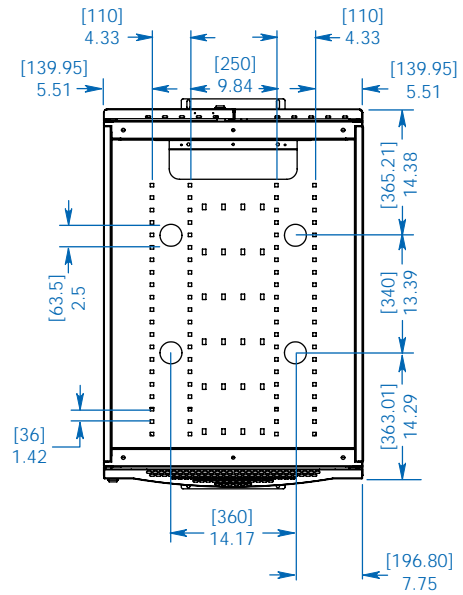


Dimensions: [mm] INCHES

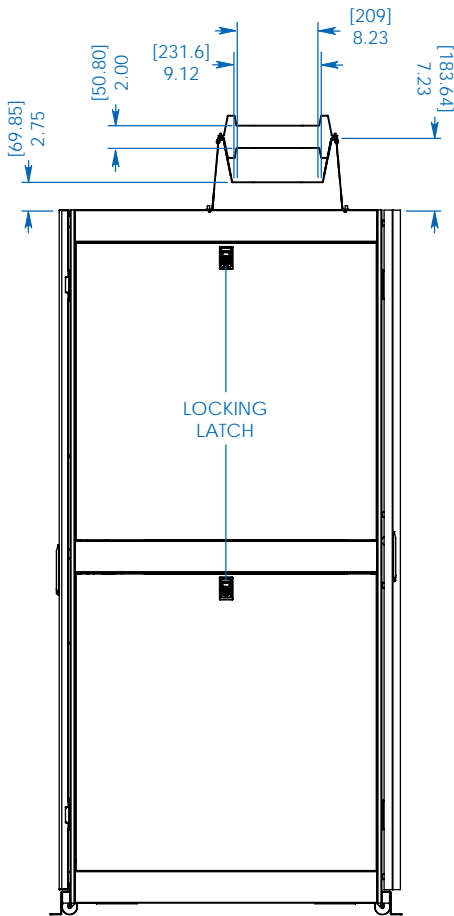
Tripp Lite has a policy of continuous improvement. Specifications are subject to change without notice.



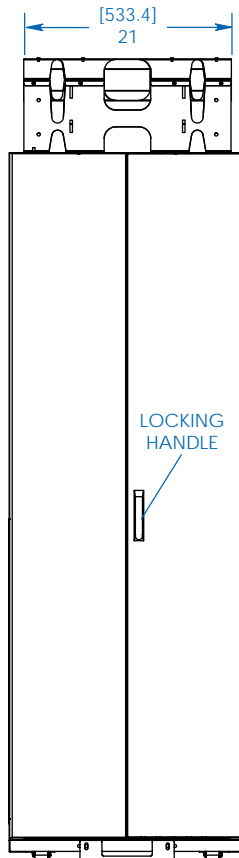
BOTTOM VIEW



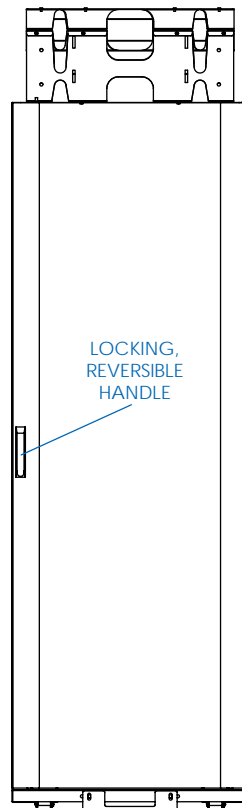
TOP VIEW



SIDE VIEW



REAR VIEW



FRONT VIEW

OPTIONAL SRCABLETRAY AND SRCABLETRAYEXP CABLE MANAGEMENT ACCESSORIES SHOWN (MOUNTING POSITION ADJUSTS TO ACCOMMODATE A WIDE RANGE OF APPLICATIONS)

MODELS:
SR45UBWD
SR45UBWDSP1



1111 W. 35th Street
 Chicago, IL 60609 USA
 773.869.1234
 www.triplite.com

Dimensions: [mm] INCHES

Tripp Lite has a policy of continuous improvement. Specifications are subject to change without notice.