

MODEL:

SR45UBEXPNDNR3

SmartRack® Heavy-Duty Open Frame Rack



45 Rack Units



3000 lb
Stationary
Load Capacity



3000 lb
Rolling
Load Capacity



Heavy-Duty
3-Inch Casters



EIA
310-E
Standard 19-inch
Rack Width



Toolless
Mounting Slots



Adjustable
Rails with
Easy-View
Depth Index



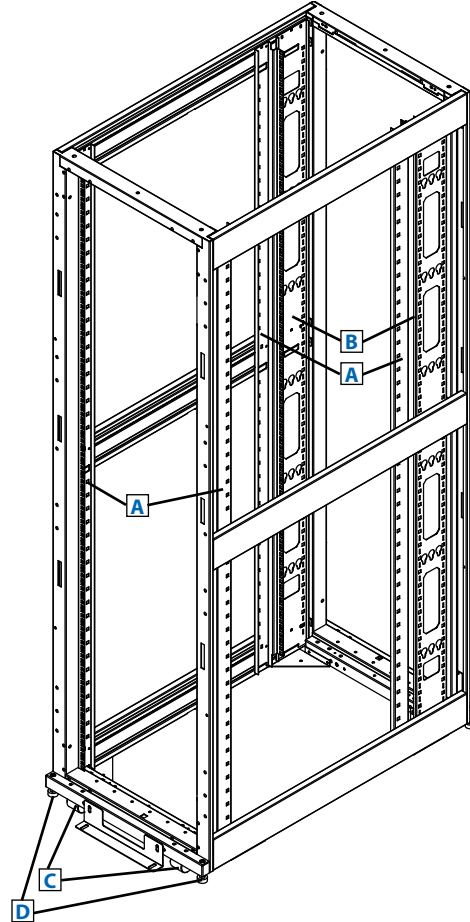
Integrated
Baying Tabs



Square Hole
Mounting

- A** Adjustable Mounting Rails (4)
- B** Adjustable PDU Mounting Rails with Toolless Mounting Slots (2 rails hold up to 4 vertical PDUs.)
- C** Heavy-Duty 3-Inch Rolling Casters (4)
- D** Levelers (4)

Also Includes: Owner's manual, 2 shipping/stabilizing brackets and rackmount equipment mounting hardware (50 cage nuts, 50 mounting screws, 50 nylon cup washers).



- Rack ships fully assembled for rapid deployment, but can be knocked down for easy reassembly in confined spaces
- Modular design optimized for quick configuration and reconfiguration
- Ideal for rackmount server, network and telecom applications

SEE NEXT PAGE FOR DETAILED UNIT MEASUREMENTS

Specifications

Model	SR45UBEXPNDNR3
Rack Spaces	45U
Stationary Load Capacity	3000 lb (1363 kg)
Rolling Load Capacity	3000 lb (1363 kg)
Unit Dimensions (H x W x D)	83.75 x 23.63 x 43 in (2127 x 600 x 1092 mm)
Shipping Dimensions (H x W x D)	90.25 x 26 x 45 in (2292 x 660 x 1143 mm)
Unit Weight	130 lb (59 kg)
Shipping Weight	180 lb (81.6 kg)
Standards	Tested to UL 60950, RoHS, CE, NOM, EIA/ECA-310-A, IEC 60297-3-100, DIN41494

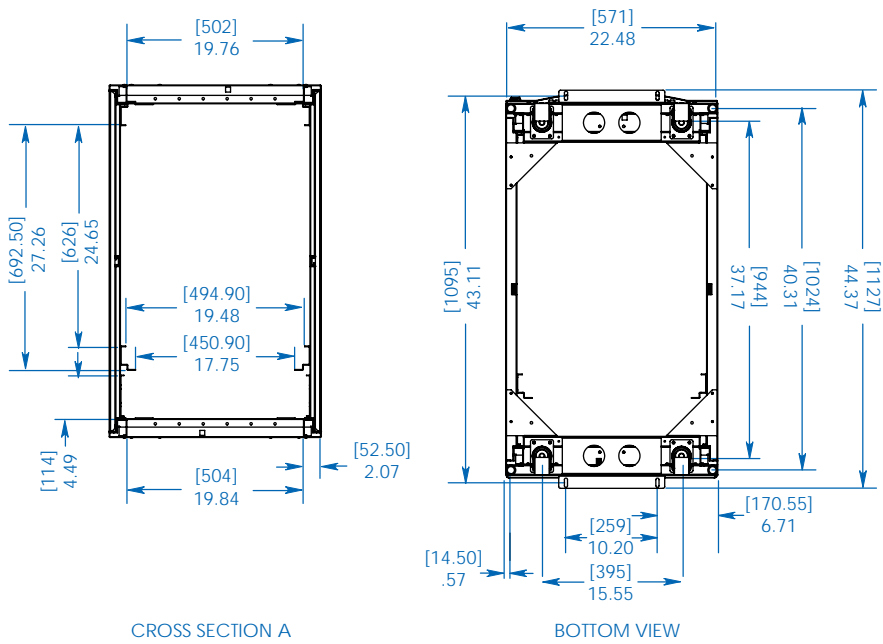
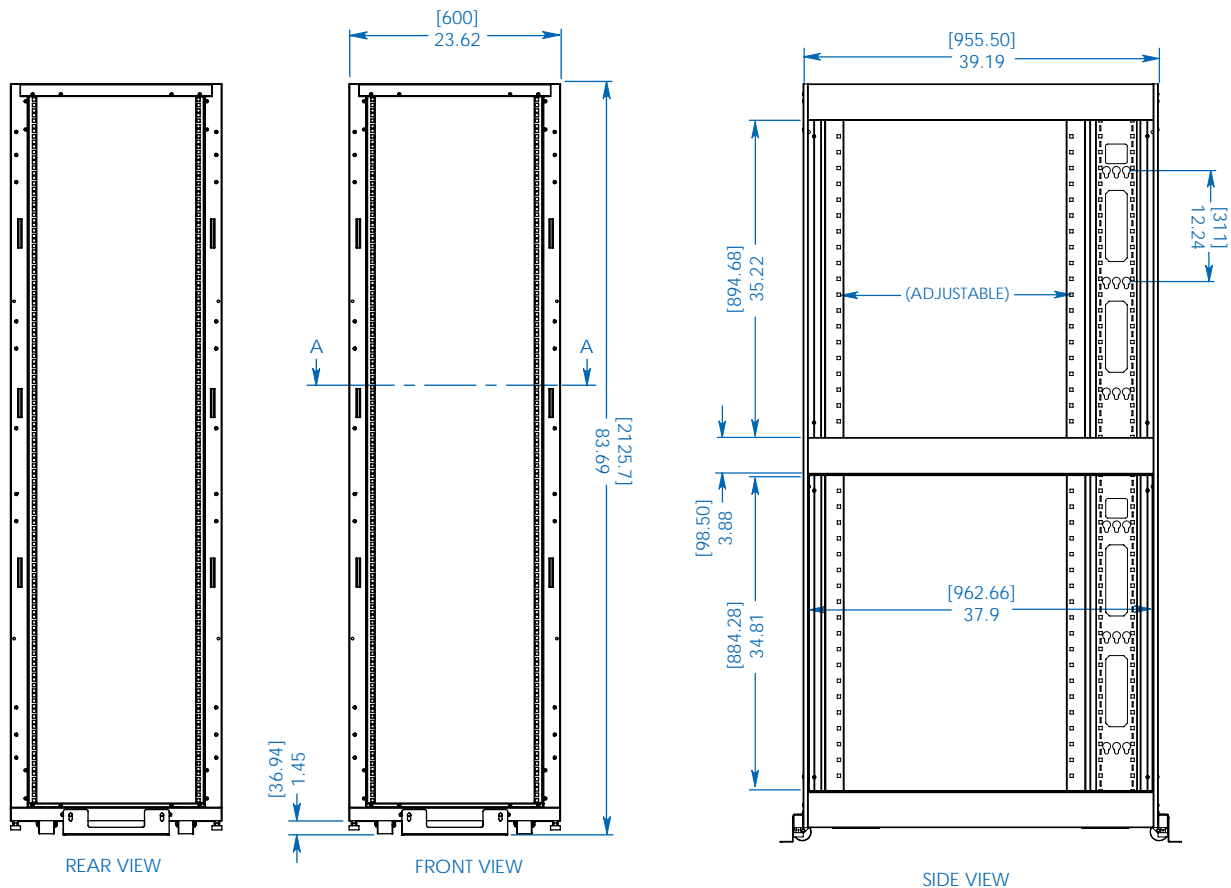
Tripp Lite has a policy of continuous improvement. Specifications are subject to change without notice.



Also Available: Shock pallet models with special packaging to facilitate equipment pre-installation and reshipment to final site. Heavy-duty shock pallet holds up to 1250 lb (568 kg), including the weight of the rack and pre-installed equipment. Add "SP1" to model numbers above to order shock pallet models.



1111 W. 35th Street
Chicago, IL 60609 USA
773.869.1234
www.tripplite.com



MODEL:
SR45UBEXPNDNR3

TRIPP-LITE

1111 W. 35th Street
Chicago, IL 60609 USA
773.869.1234
www.tripplite.com

Dimensions: [mm] INCHES

Tripp Lite has a policy of continuous improvement. Specifications are subject to change without notice.