

MODEL:

# SR42UBZ4

## SmartRack™ Seismic-Rated Rack Enclosure



42 Rack Units



3000 lb  
Stationary  
Load Capacity



Locking Doors  
& Side Panels



TIA/EIA  
310-D  
Standard 19-inch  
Rack Width



Toolless  
Mounting Slots



Adjustable  
Rails with  
Easy-View  
Depth Index



Strongest  
Earthquake  
Zone Rating



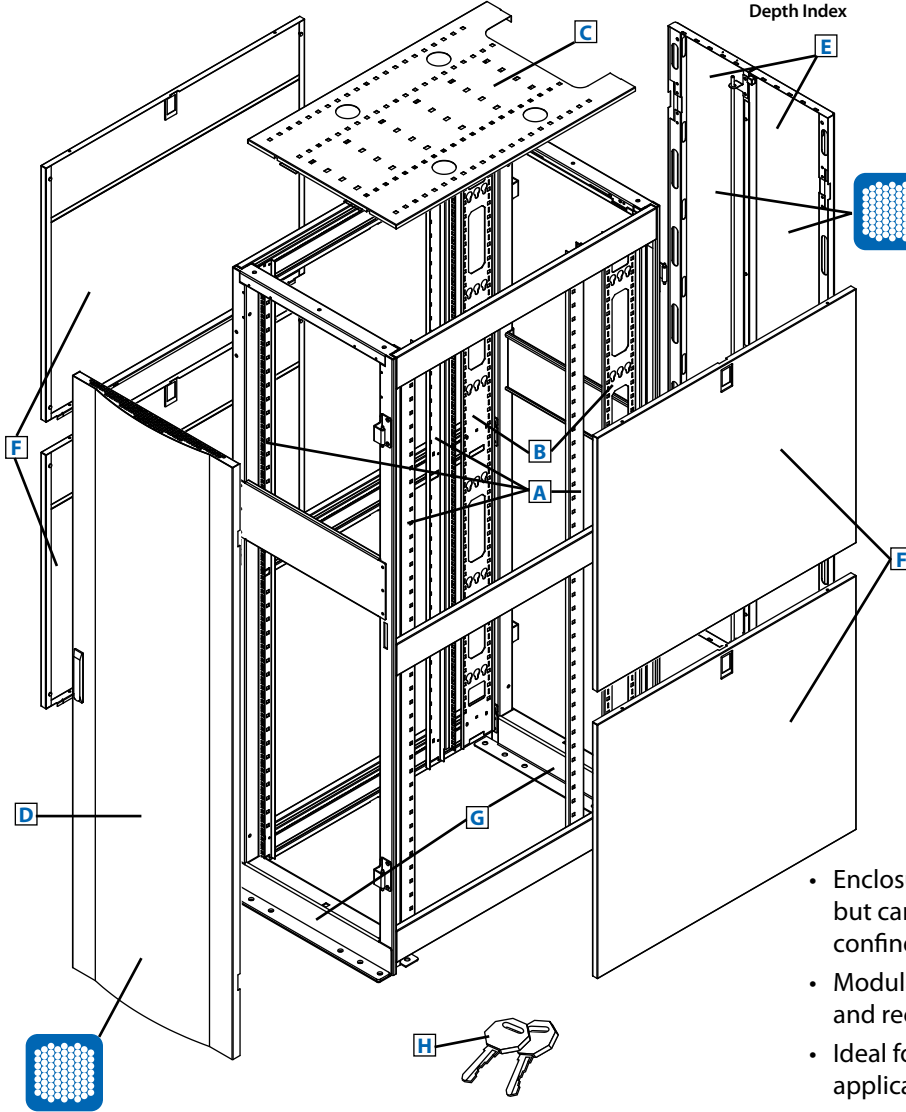
Airflow  
Exceeds  
Server OEM  
Requirements



Baying  
Brackets



Square Hole  
Mounting



- A** Adjustable Mounting Rails
- B** Adjustable PDU Mounting Rails with Toolless Mounting Slots
- C** Roof Panel (Removable)
- D** Front Door (Lockable/Removable/Reversible)
- E** Split Rear Doors (Lockable/Removable)
- F** Side Panels
- G** Zone 4 Seismic Brackets
- H** Keys (For doors and side panels.)

Also Includes: Owner's manual, 2 shipping/stabilizing brackets and rackmount equipment mounting hardware (50 cage nuts, 50 mounting screws, 50 nylon cup washers).

- Enclosure ships fully assembled for rapid deployment, but can be knocked down for easy reassembly in confined spaces
- Modular design optimized for quick configuration and reconfiguration
- Ideal for rackmount server, network and telecom applications
- **Zone 4 Seismic Rating:** Heavy-duty, torsion-resistant construction meets seismic requirements for the strongest earthquake zones.

### Specifications

Model	SR42UBZ4
Rack Spaces	42U
Stationary Load Capacity	3000 lb (1363 kg)
Unit Dimensions (H x W x D)	78.5 x 23.63 x 43 in (1994 x 600 x 1092 mm)
Shipping Dimensions (H x W x D)	85 x 26 x 25 in (2160 x 660 x 1143 mm)
Unit Weight	353 lb (160 kg)
Shipping Weight	395 lb (179 kg)
Certifications	Seismic Zone 4 (NEBS Telcordia/Bellcore GR-63-CORE), EIA/ECA-310-E, UL60950, NOM, RoHS

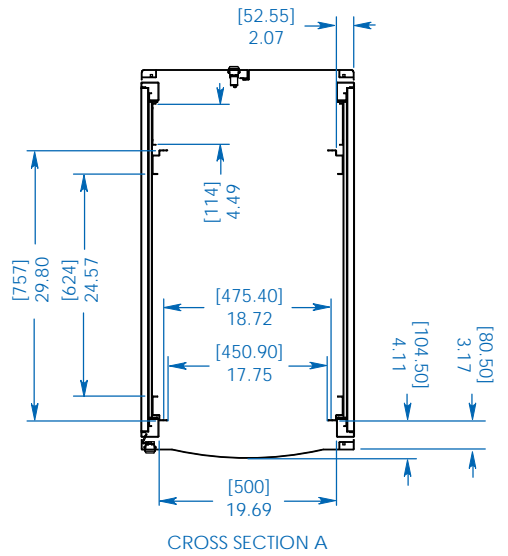
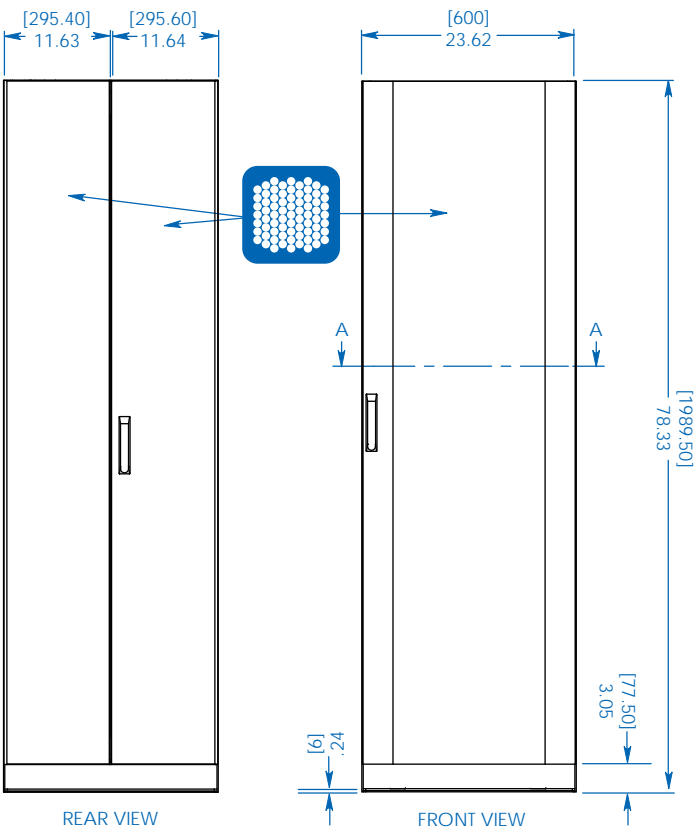
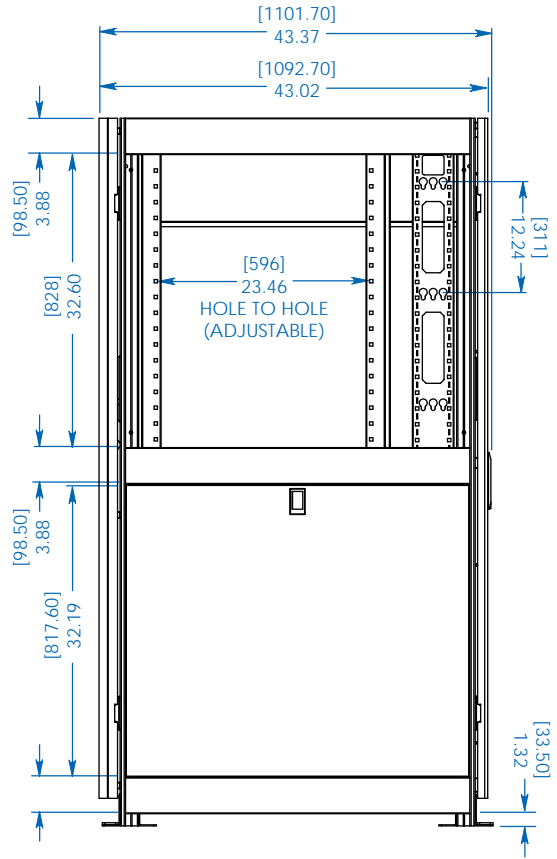
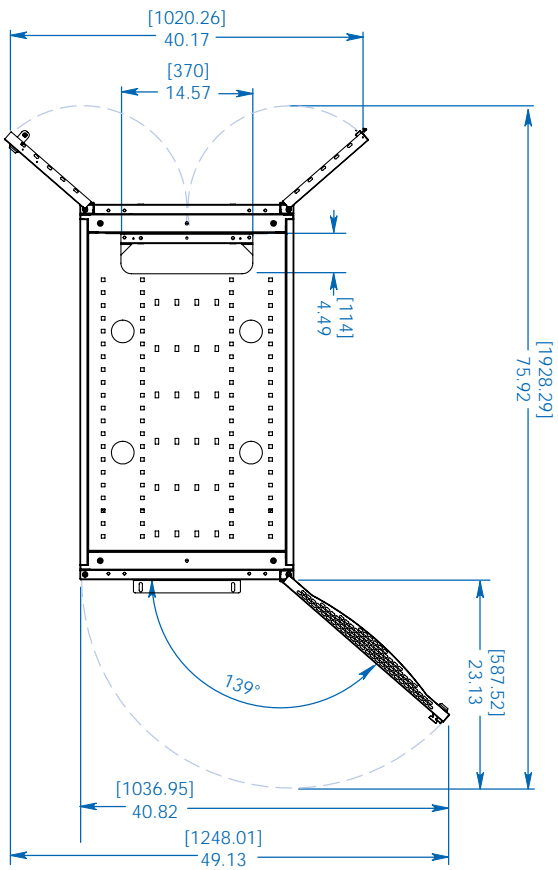
Tripp Lite has a policy of continuous improvement. Specifications are subject to change without notice.



SEE NEXT PAGE FOR DETAILED UNIT MEASUREMENTS



1111 W. 35th Street  
Chicago, IL 60609 USA  
773.869.1234  
www.triplite.com

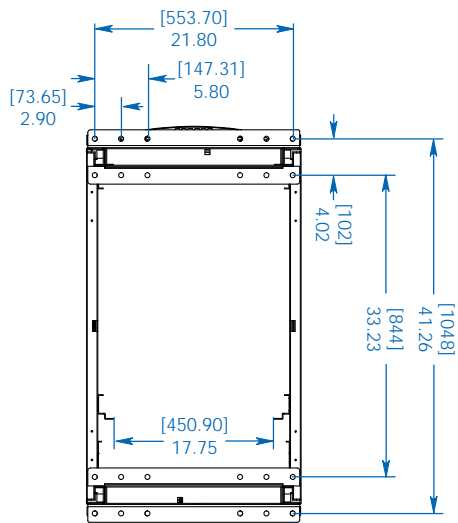


Dimensions: [mm] INCHES

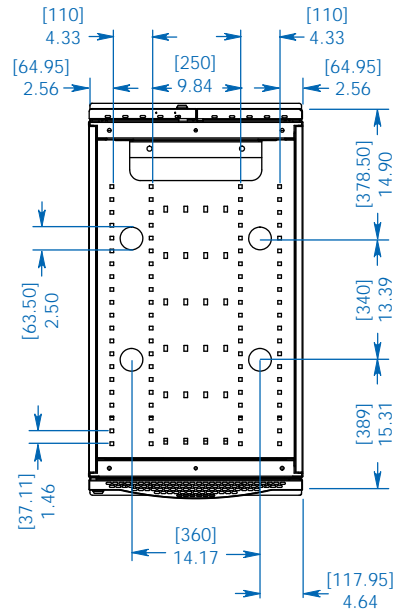
Tripp Lite has a policy of continuous improvement. Specifications are subject to change without notice.

MODEL:  
SR42UBZ4

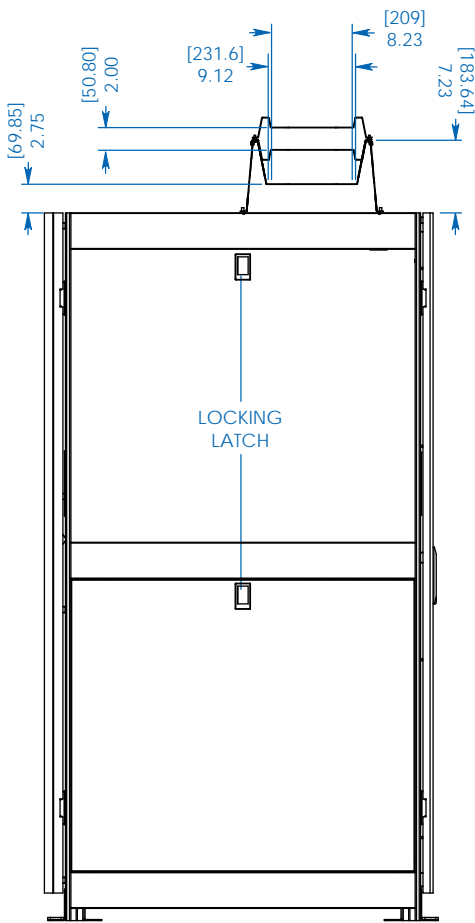




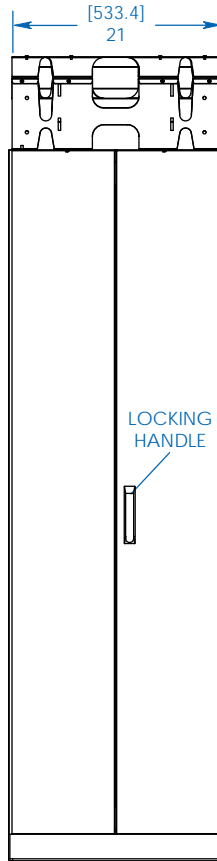
BOTTOM VIEW



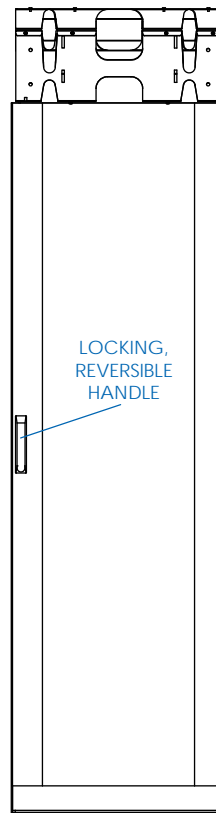
TOP VIEW



SIDE VIEW



REAR VIEW



FRONT VIEW

OPTIONAL SRCABLETRAY AND SRCABLETRAYEXP CABLE MANAGEMENT ACCESSORIES SHOWN (MOUNTING POSITION ADJUSTS TO ACCOMMODATE A WIDE RANGE OF APPLICATIONS)

MODEL:  
**SR42UBZ4**



1111 W. 35th Street  
Chicago, IL 60609 USA  
773.869.1234  
www.tripplite.com

Dimensions: [mm] INCHES

Tripp Lite has a policy of continuous improvement. Specifications are subject to change without notice.