

MODEL:

SR42UBWVRT

SmartRack™ Wide Enclosure with Pre-Installed High-Density Cable Managers



42 Rack Units



3000 lb
Stationary
Load Capacity



2250 lb
Rolling
Load Capacity



Rolling
Casters



Locking Doors
& Side Panels



Accommodates
Standard
19-inch
Equipment



Toolless
Mounting
Slots



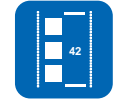
Adjustable
Rails with
Easy-View
Depth Index



Airflow
Exceeds
Server OEM
Requirements



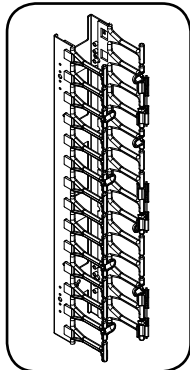
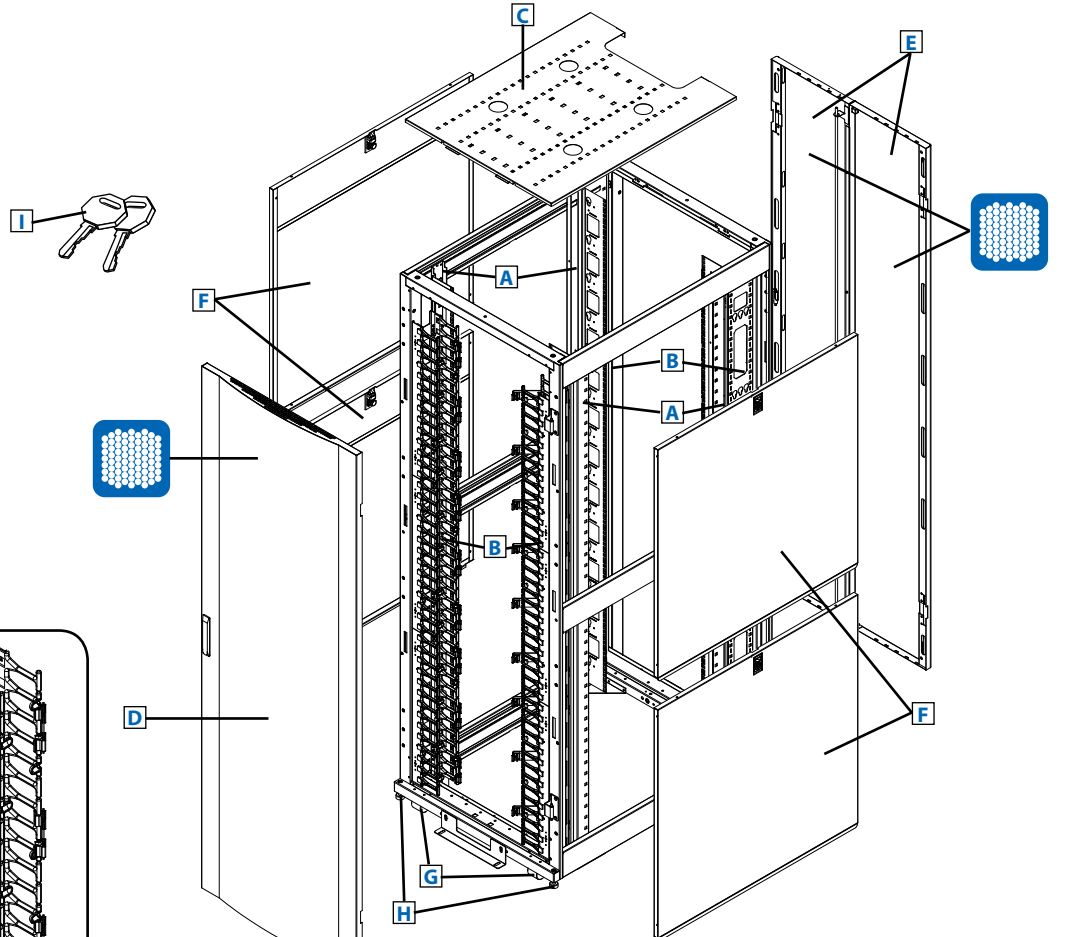
Integrated
Baying Tabs



Square Hole
Mounting

- A** Adjustable Mounting Rails with Toolless Mounting Slots (4)
- B** Pre-Installed High-Density Cable Managers (2 x SRCABLEVRT3)
- C** Roof Panel (Removable)
- D** Front Door (Lockable/Removable/Reversible)
- E** Split Rear Doors (2) (Lockable/Removable)
- F** Side Panels (4) (Lockable/Removable)
- G** Rolling Casters (4)
- H** Levelers (4)
- I** Keys (For doors and side panels.)

Also Includes: Owner's manual, 2 stabilizing brackets and rackmount equipment mounting hardware (50 cage nuts, 50 mounting screws, 50 nylon cup washers).



DETAIL FROM **B**

- Ships ready for rapid deployment, but can be knocked down for easy reassembly in confined spaces
- Modular design optimized for quick configuration and reconfiguration
- Ideal for rackmount server, network and telecom applications



Specifications

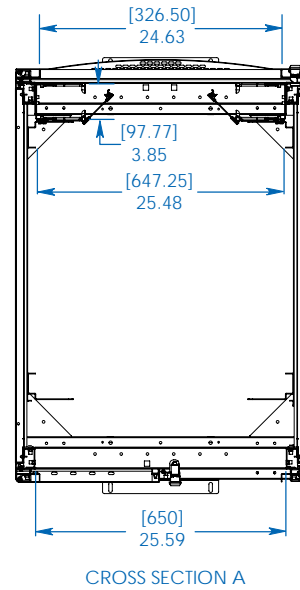
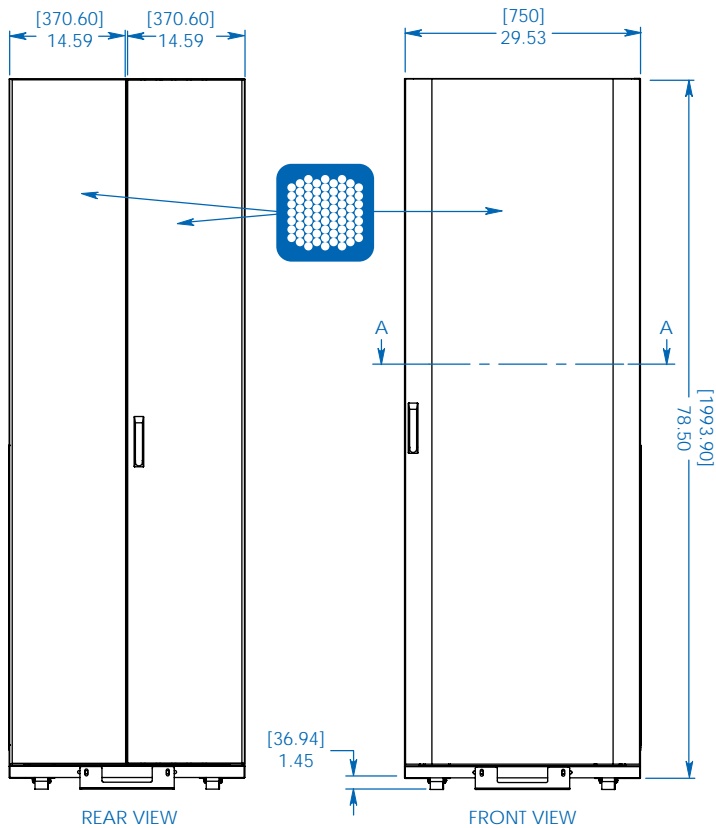
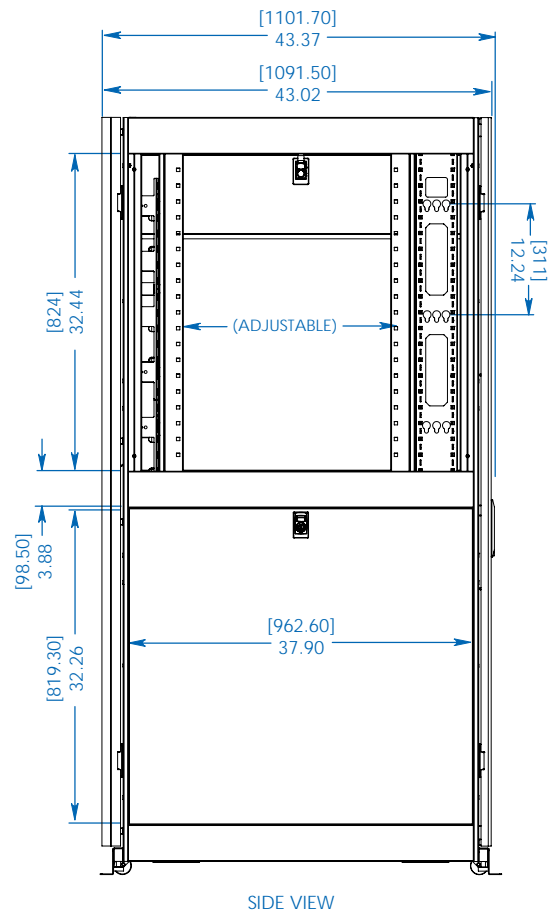
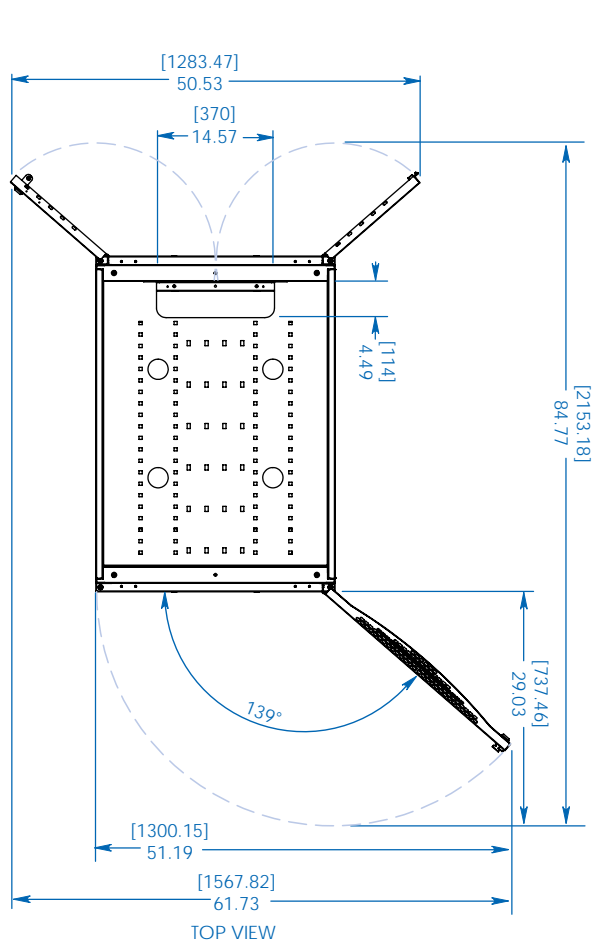
Model	SR42UBWVRT
Rack Spaces	42U
Stationary Load Capacity	3000 lb (1361 kg)
Rolling Load Capacity	2250 lb (1021 kg)
Unit Dimensions (H x W x D)	78.5 x 29.53 x 43 in (1994 x 750 x 1092 mm)
Shipping Dimensions (H x W x D)	86 x 32 x 45 in (2184 x 813 x 1143 mm)
Unit Weight	315 lb (142.9 kg)
Shipping Weight	365 lb (165.6 kg)
Certifications	EIA/ECA-310-E, IEC 60297-3-100, DIN 41494, UL 60950, RoHS, NOM, IP20, PCI-DSS

Tripp Lite has a policy of continuous improvement. Specifications are subject to change without notice.

SEE NEXT PAGE FOR DETAILED UNIT MEASUREMENTS



1111 W. 35th Street
Chicago, IL 60609 USA
773.869.1234
www.tripplite.com

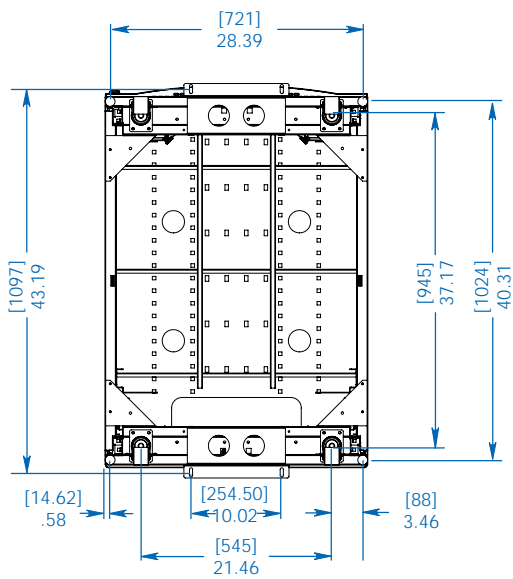


Dimensions: [mm] INCHES

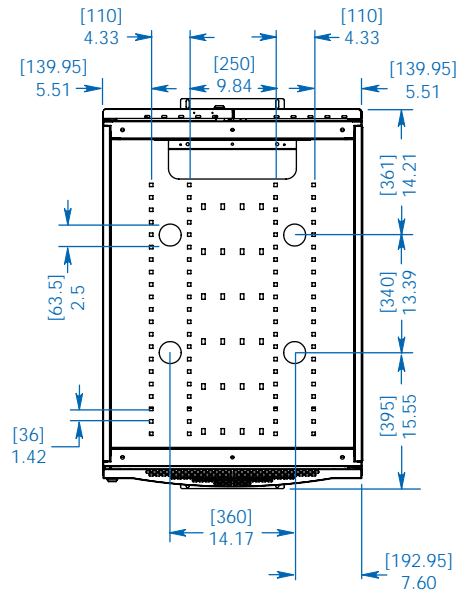
Tripp Lite has a policy of continuous improvement. Specifications are subject to change without notice.

MODEL:
SR42UBWDVRT

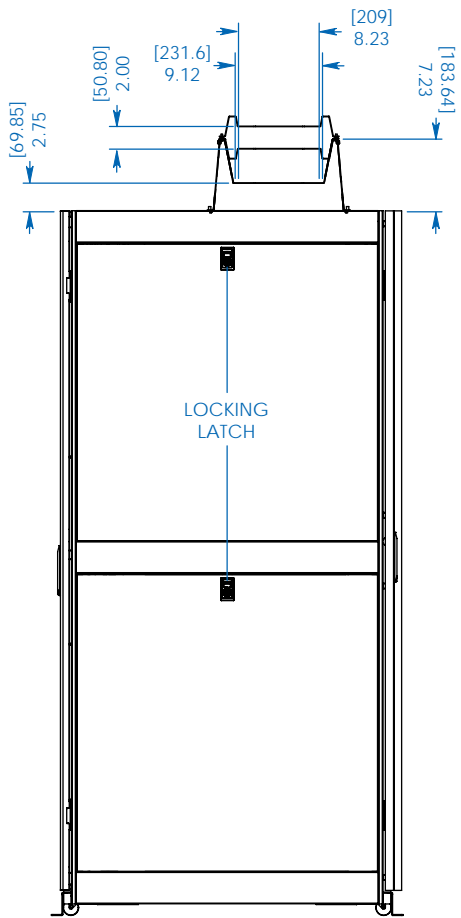
TRIPP-LITE



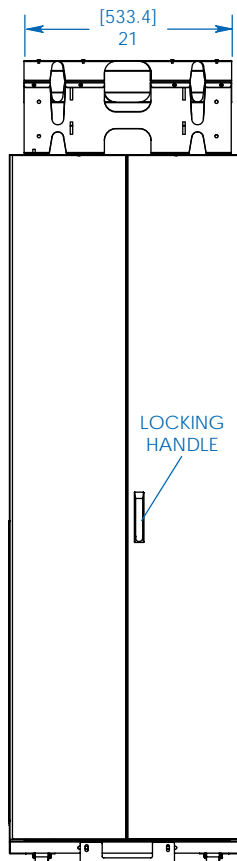
BOTTOM VIEW



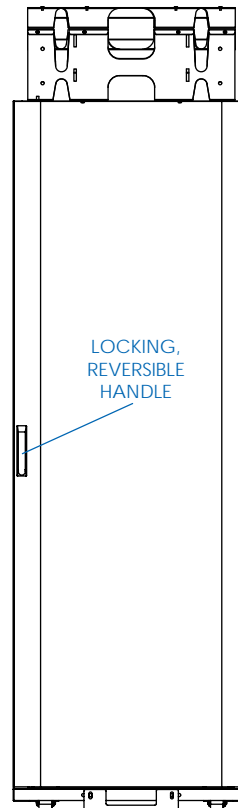
TOP VIEW



SIDE VIEW



REAR VIEW



FRONT VIEW

OPTIONAL SRCABLETRAY AND SRCABLETRAYEXP CABLE MANAGEMENT ACCESSORIES SHOWN (MOUNTING POSITION ADJUSTS TO ACCOMMODATE A WIDE RANGE OF APPLICATIONS)

MODEL:
SR42UBWDVRT



1111 W. 35th Street
Chicago, IL 60609 USA
773.869.1234
www.tripplite.com

Dimensions: [mm] INCHES

Tripp Lite has a policy of continuous improvement. Specifications are subject to change without notice.