

MODELS:

SR42UBWD / SR42UBWDEXP

SmartRack™ Premium Rack Enclosure



42 Rack Units



3000 lb
Stationary
Load Capacity



2250 lb
Rolling
Load Capacity



Heavy-Duty
Casters



Locking Doors &
Side Panels



Standard
19-inch
Rack Width



Toolless
Mounting Slots



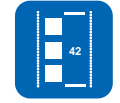
Adjustable
Rails with
Easy-View
Depth Index



Airflow
Exceeds
Server OEM
Requirements



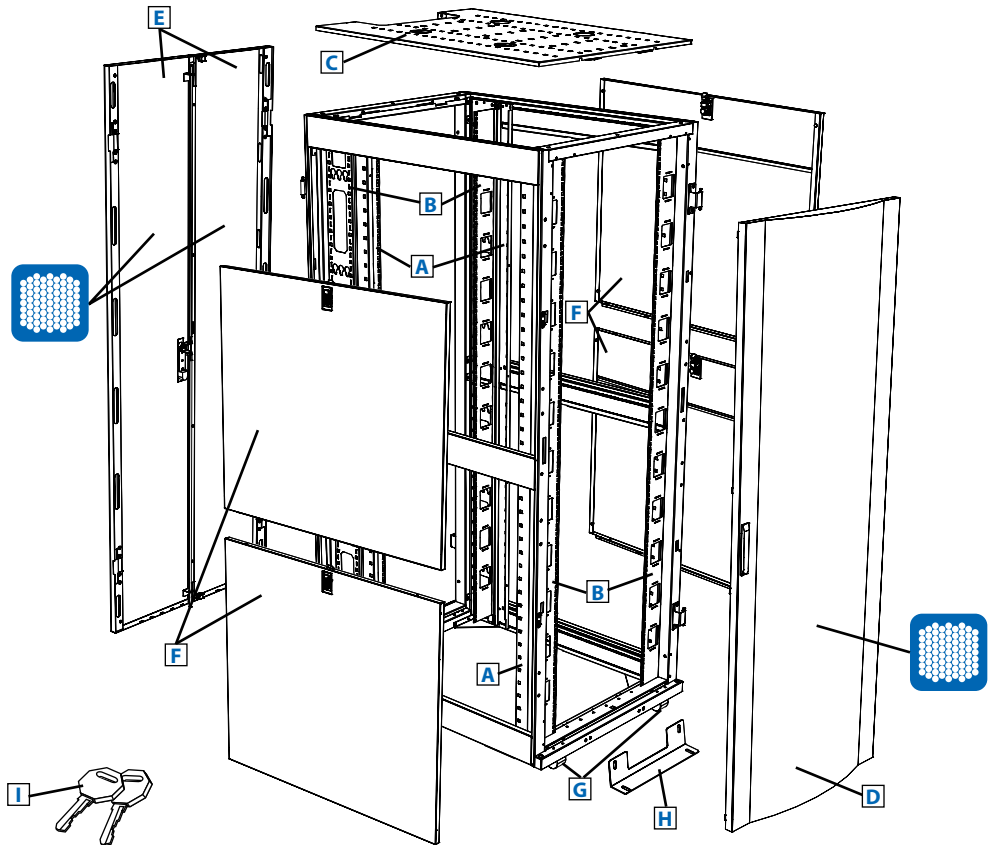
Integrated
Baying Tabs



Square Hole
Mounting

- A** Adjustable Mounting Rails
- B** Adjustable PDU Mounting Rails with Toolless Mounting Slots
- C** Roof Panel (Removable)
- D** Front Door (Lockable/Removable/Reversible)
- E** Split Rear Doors (Lockable/Removable)
- F** Side Panels (Lockable/Removable; not included with SR42UBWDEXP)
- G** Heavy-Duty Casters
- H** Heavy-Duty Levelers
- I** Keys (For doors and side panels.)

Also Includes: Owner's manual, 2 shipping/stabilizing brackets and rackmount equipment mounting hardware (50 cage nuts, 50 mounting screws, 50 nylon cup washers).



Specifications

Model	SR42UB
Rack Spaces	42U
Stationary Load Capacity	3000 lb (1363 kg)
Rolling Load Capacity	2250 lb (1022 kg)
Unit Dimensions (H x W x D)	78.5 x 29.53 x 43 in (1994 x 750 x 1092 mm)
Shipping Dimensions (H x W x D)	84.5 x 33.65 x 47 in (2146 x 854 x 1194 mm)
Unit Weight	340 lb (154 kg)
Shipping Weight	365 lb (165.6 kg)
Certifications	TIA/EIA-310-D Compliant (Accommodates all standard 19-inch rackmount equipment regardless of vendor.)
Model	SR42UBWDEXP (Identical to SR42UBWD without side panels.)
Unit Weight	262 lb (118.8 kg)
Shipping Weight	287 lb (130.1 kg)

Tripp Lite has a policy of continuous improvement. Specifications are subject to change without notice.



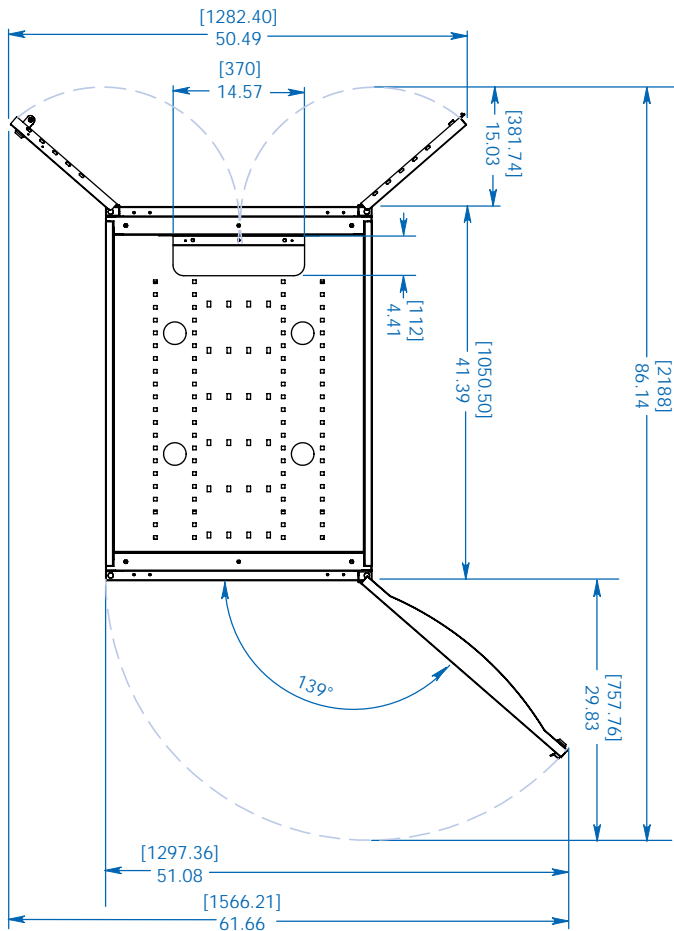
- Enclosures ship fully assembled for rapid deployment, but can be knocked down for easy reassembly in confined spaces
- Extra cable management space for high-density server/network applications
- Modular design optimized for quick configuration and reconfiguration
- Ideal for rackmount server, network and telecom applications

SEE NEXT PAGE FOR DETAILED UNIT MEASUREMENTS

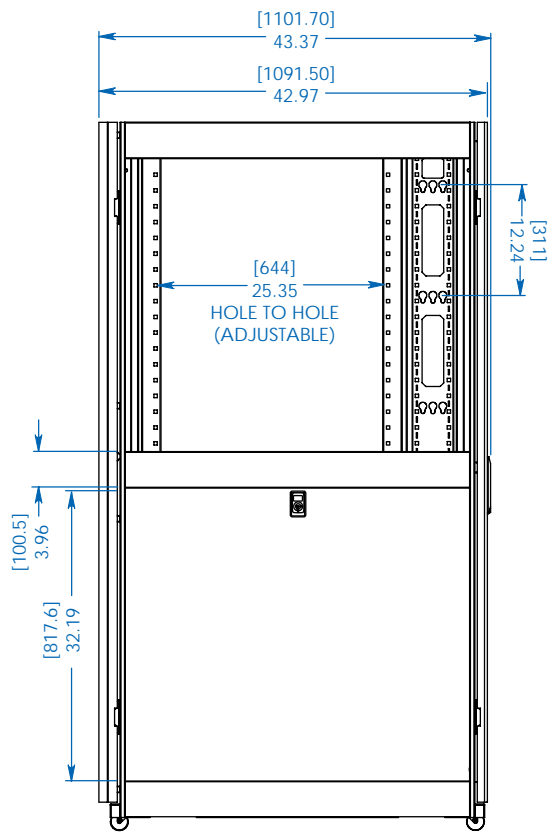


1111 W. 35th Street
Chicago, IL 60609 USA
773.869.1234
www.tripplite.com

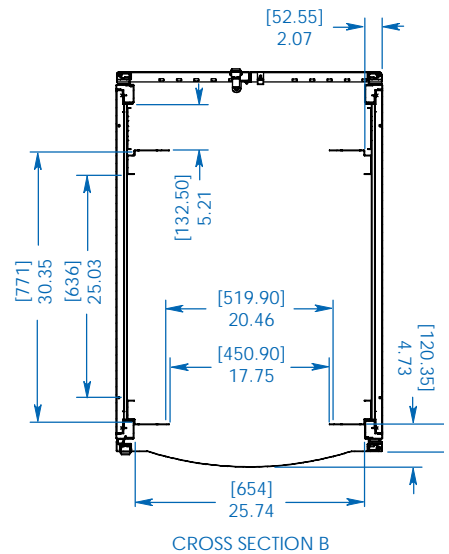
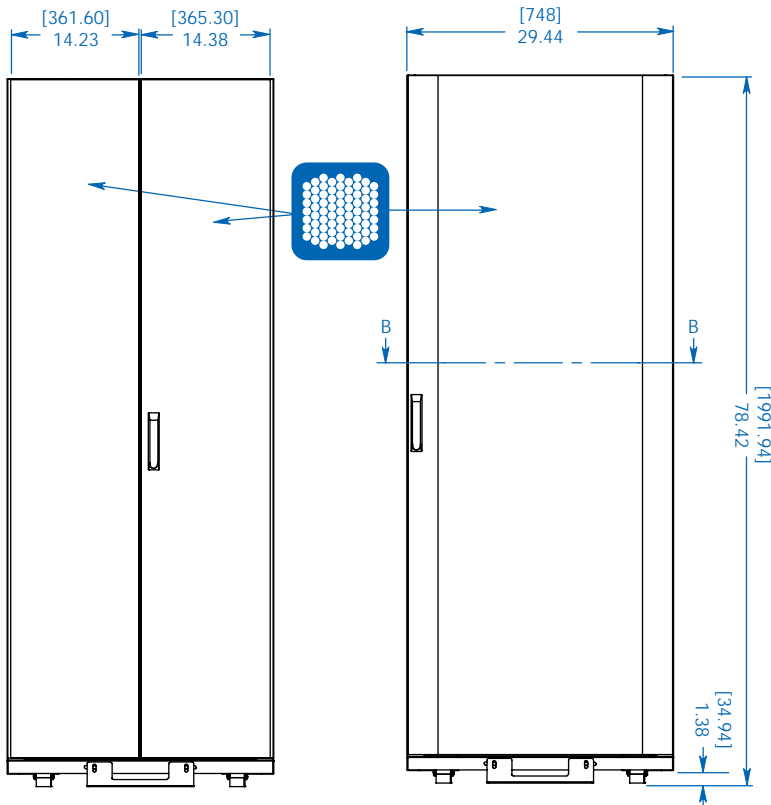
Also Available: Shock pallet models with special packaging to facilitate equipment pre-installation and reshipment to final site. Heavy-duty shock pallet holds up to 1250 lb (568 kg), including the weight of the enclosure and pre-installed equipment. Add "SP1" to model numbers above to order shock pallet models.



TOP VIEW



SIDE VIEW



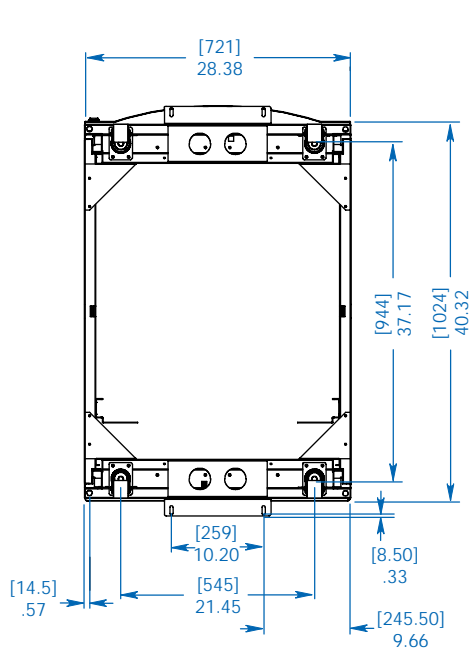
CROSS SECTION B

MODELS:
SR42UBWD
SR42UBWDEXP

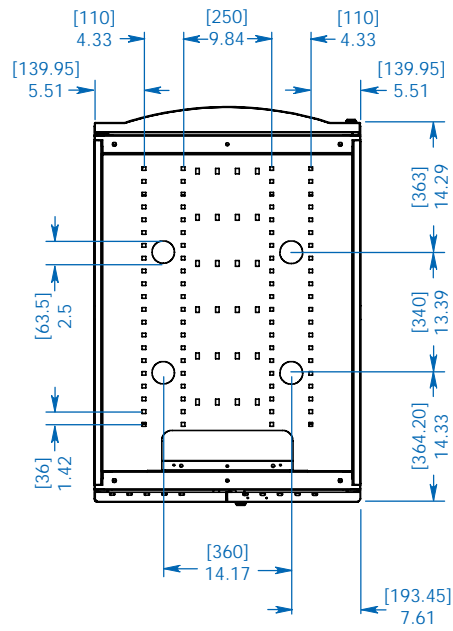


Dimensions: [mm] INCHES

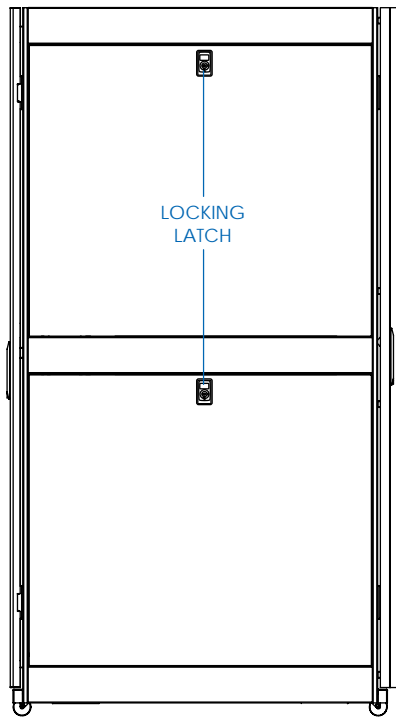
Tripp Lite has a policy of continuous improvement. Specifications are subject to change without notice.



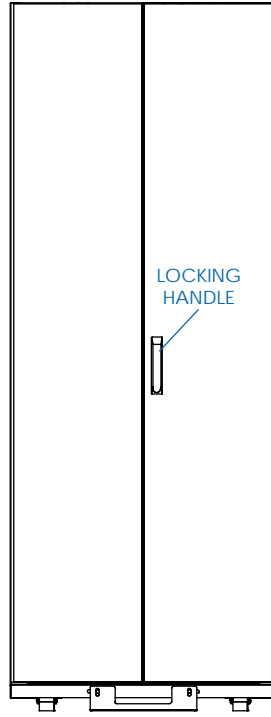
BOTTOM VIEW



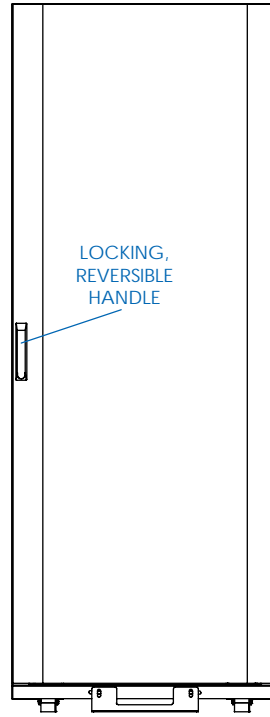
TOP VIEW



SIDE VIEW



REAR VIEW



FRONT VIEW

MODELS:
SR42UBWD
SR42UBWDEXP



1111 W. 35th Street
 Chicago, IL 60609 USA
 773.869.1234
www.tripplite.com

Dimensions: [mm] INCHES

Tripp Lite has a policy of continuous improvement. Specifications are subject to change without notice.