

MODELS:

# SR42UBSD / SR42UBSDEXP

## SmartRack™ Shallow-Depth Rack Enclosure



42 Rack Units



3000 lb  
Stationary  
Load Capacity



2250 lb  
Rolling  
Load Capacity



Heavy-Duty  
Casters



Locking Doors &  
Side Panels



Standard  
19-inch  
Rack Width



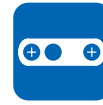
Toolless  
Mounting Slots



Adjustable  
Rails with  
Easy-View  
Depth Index



Airflow  
Exceeds  
Server OEM  
Requirements



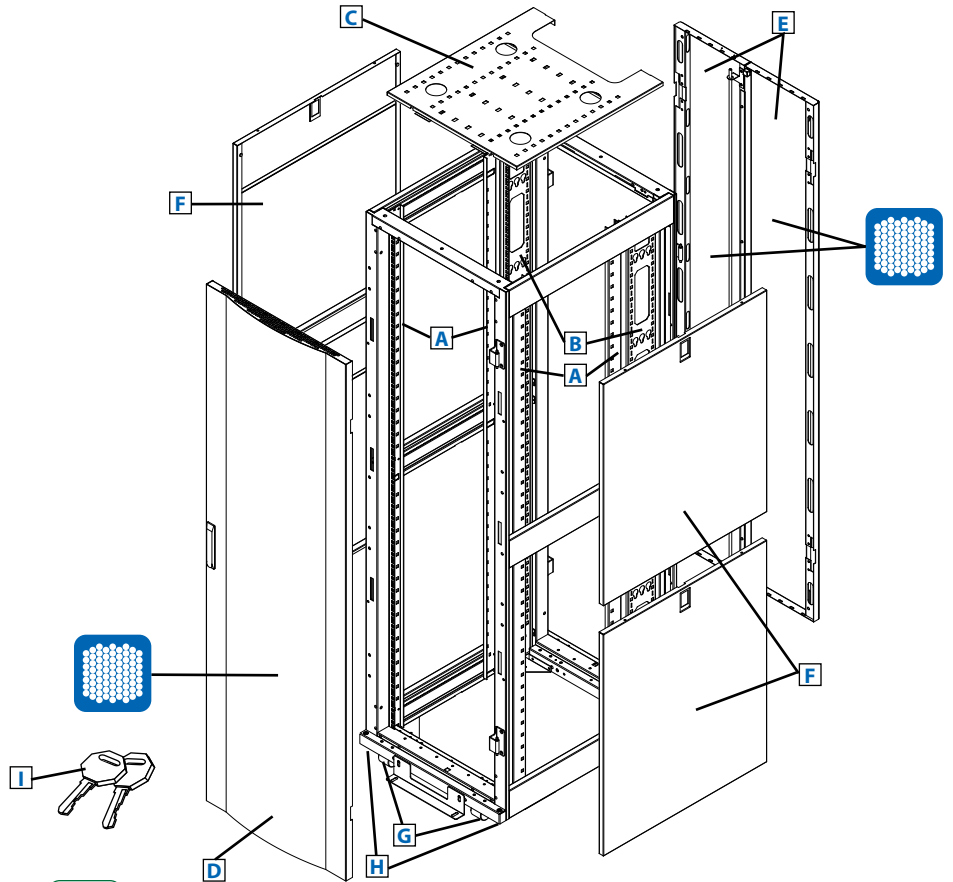
Integrated  
Baying Tabs



Square Hole  
Mounting

- A** Adjustable Mounting Rails (4)
- B** Adjustable PDU Mounting Rails with Toolless Mounting Slots (2)
- C** Roof Panel (Removable)
- D** Front Door (Lockable/Removable/Reversible)
- E** Split Rear Doors (2) (Lockable/Removable)
- F** Side Panels (4) (Lockable/Removable; not included with SR42UBSDEXP)
- G** Rolling Casters (4)
- H** Levelers (4)
- I** Keys (For doors and side panels.)

Also Includes: Owner's manual, 2 shipping/stabilizing brackets and rackmount equipment mounting hardware (50 cage nuts, 50 mounting screws, 50 nylon cup washers).



### Specifications

Model	SR42UBSD
Rack Spaces	42U
Stationary Load Capacity	3000 lb (1363 kg)
Rolling Load Capacity	2250 lb (1022 kg)
Unit Dimensions (H x W x D)	78.5 x 23.63 x 32 in (1994 x 600 x 813 mm)
Shipping Dimensions (H x W x D)	84.5 x 27.75 x 36 in (2146 x 705 x 914 mm)
Unit Weight	261 lb (118.4 kg)
Shipping Weight	284 lb (128.8 kg)
Certifications	EIA-310-E, IEC 60297-3-100, DIN 41494, IP20, UL 60950, RoHS
Model	SR42UBSDEXP (SR42UBSD without side panels.)
Unit Weight	183 lb (83.0 kg)
Shipping Weight	206 lb (93.4 kg)

Tripp Lite has a policy of continuous improvement. Specifications are subject to change without notice.



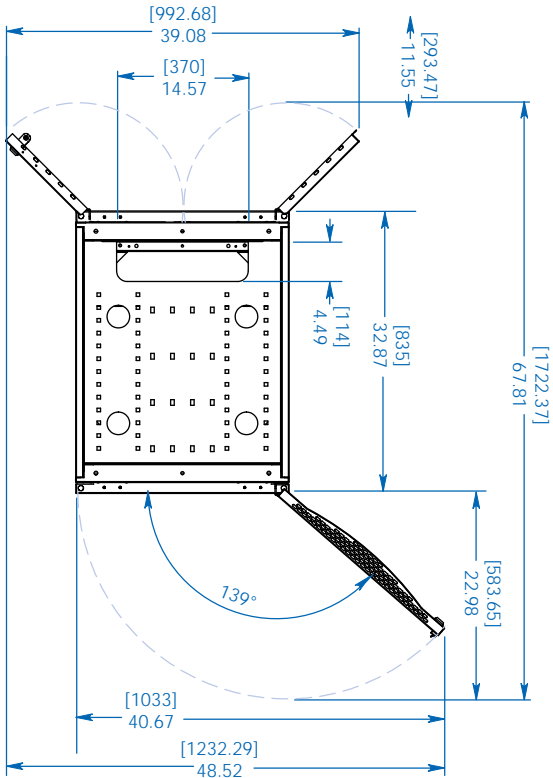
- Enclosures ship fully assembled for rapid deployment, but can be knocked down for easy reassembly in confined spaces
- Modular design optimized for quick configuration and reconfiguration
- Ideal for rackmount server, network and telecom applications

**SEE NEXT PAGE FOR DETAILED UNIT MEASUREMENTS**

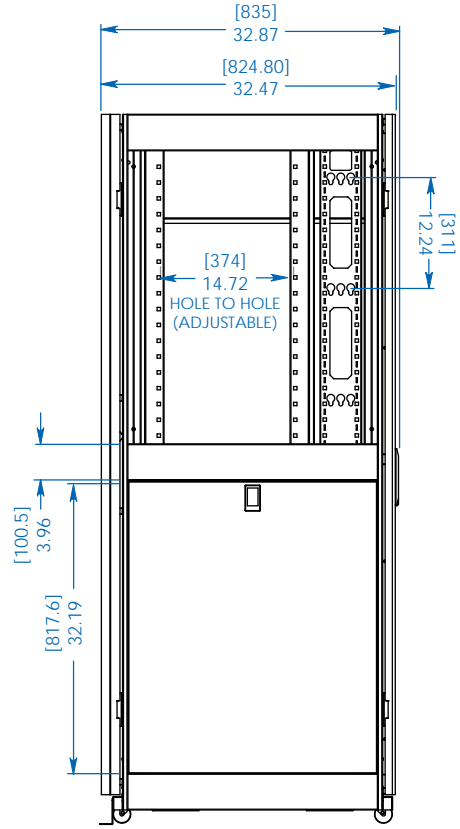


1111 W. 35th Street  
Chicago, IL 60609 USA  
773.869.1234  
www.tripplite.com

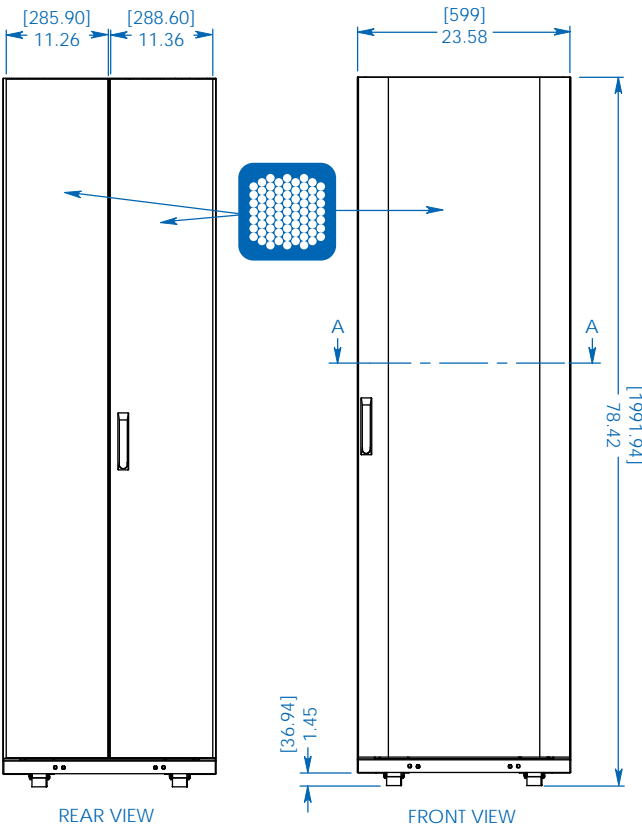
Also Available: Shock pallet models with special packaging to facilitate equipment pre-installation and reshipment to final site. Heavy-duty shock pallet holds up to 1250 lb (568 kg), including the weight of the enclosure and pre-installed equipment. Add "SP1" to model numbers above to order shock pallet models.



TOP VIEW

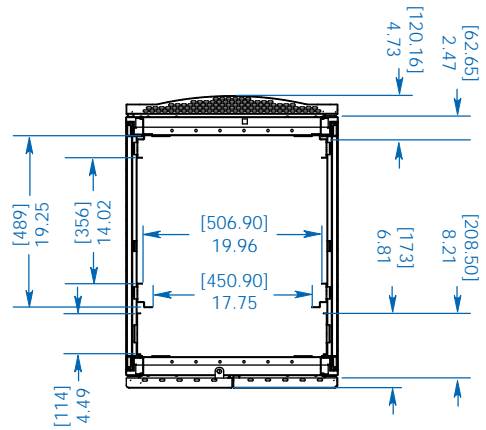


SIDE VIEW



REAR VIEW

FRONT VIEW



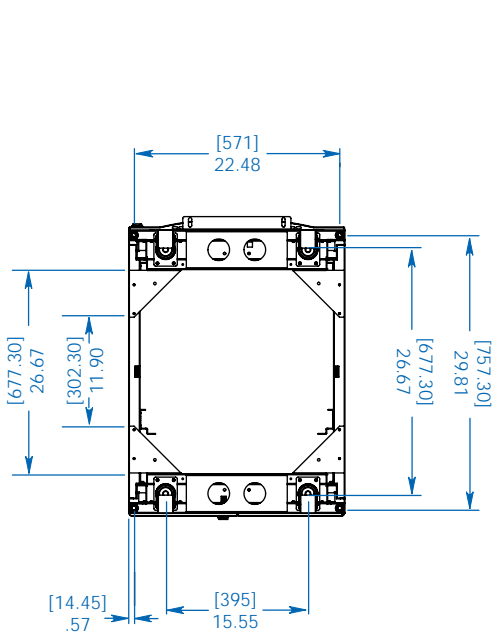
CROSS SECTION A

MODELS:  
**SR42UBSD**  
**SR42UBSDEXP**

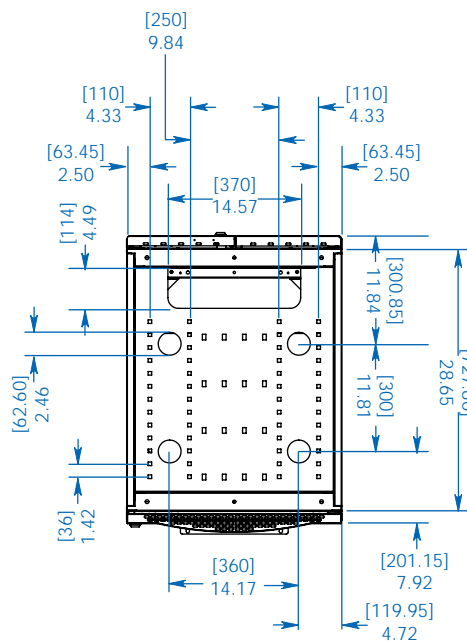


Dimensions: [mm] INCHES

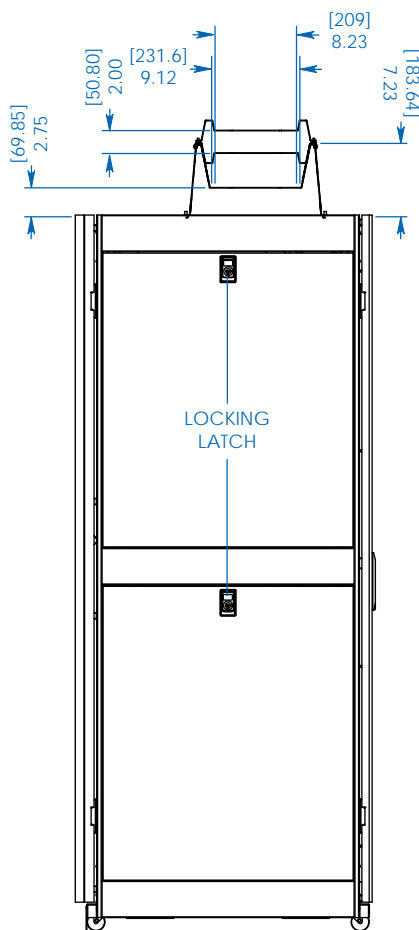
Tripp Lite has a policy of continuous improvement. Specifications are subject to change without notice.



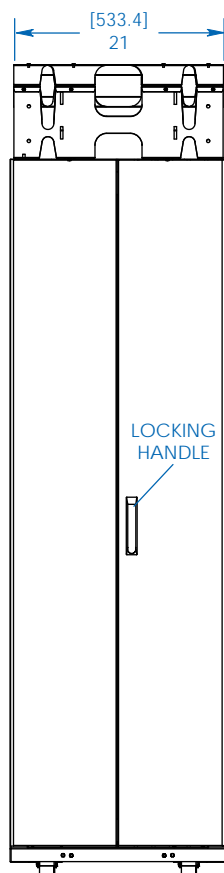
BOTTOM VIEW



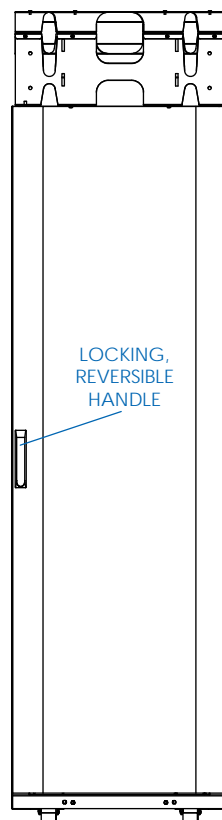
TOP VIEW



SIDE VIEW



REAR VIEW



FRONT VIEW

OPTIONAL SRCABLETRAY AND SRCABLETRAYEXP CABLE MANAGEMENT ACCESSORIES SHOWN (MOUNTING POSITION ADJUSTS TO ACCOMMODATE A WIDE RANGE OF APPLICATIONS)

MODELS:  
**SR42UBSD**  
**SR42UBSDEXP**



1111 W. 35th Street  
 Chicago, IL 60609 USA  
 773.869.1234  
 www.tripplite.com

Dimensions: [mm] INCHES

Tripp Lite has a policy of continuous improvement. Specifications are subject to change without notice.