

MODEL:

SR2400

SmartRack® Rack Enclosure



42 Rack Units



2400 lb
Stationary
Load Capacity



2000 lb
Rolling
Load Capacity



Heavy-Duty
Casters



Locking Doors &
Side Panels



Standard
19-inch
Rack Width



Toolless
Mounting Slots



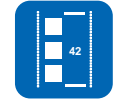
Adjustable
Rails with
Easy-View
Depth Index



Airflow
Exceeds
Server OEM
Requirements



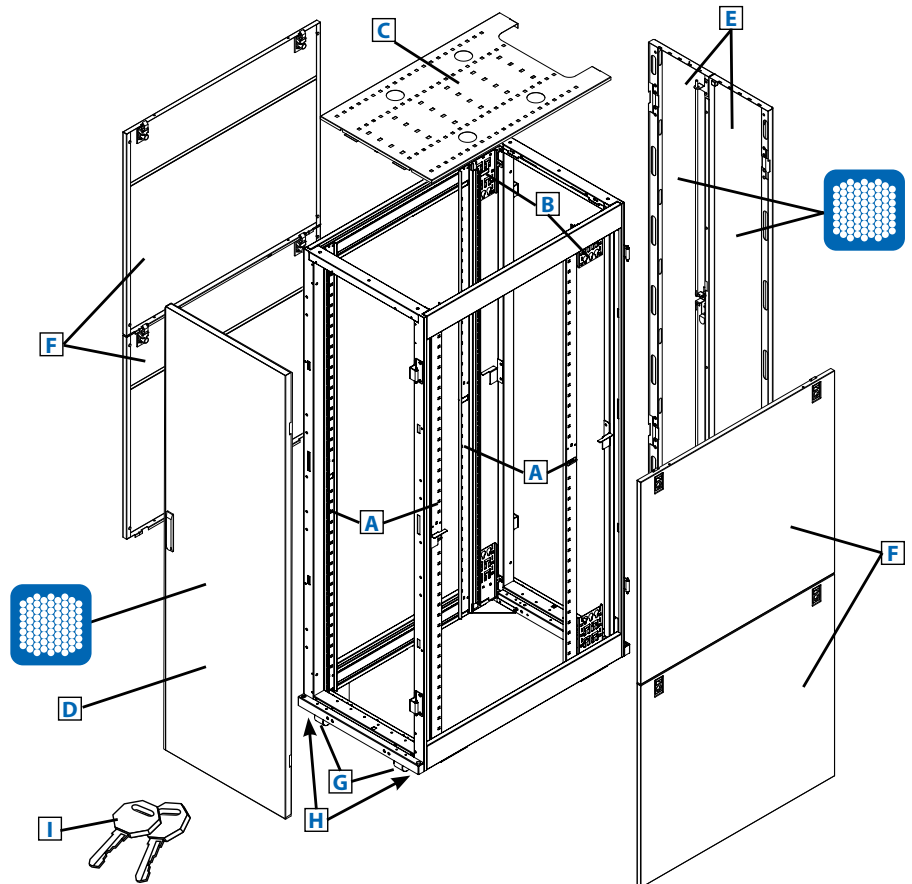
Integrated
Baying Tabs



Square Hole
Mounting

- A** Adjustable Mounting Rails
- B** Toolless Mounting Slots
- C** Roof Panel (Removable)
- D** Front Door
(Lockable/Removable/Reversible)
- E** Split Rear Doors
(Lockable/Removable)
- F** Side Panels
(Lockable/Removable)
- G** Heavy-Duty Casters
- H** Heavy-Duty Levelers
- I** Keys
(For doors and side panels.)

Also Includes: Owner's manual,
2 shipping/stabilizing brackets and
rackmount equipment mounting hardware.



Specifications

Model	SR2400
Rack Spaces	42U
Stationary Load Capacity	2400 lb (1089 kg)
Rolling Load Capacity	2000 lb (907 kg)
Unit Dimensions (H x W x D)	78.5 x 23.63 x 43 in (1994 x 600 x 1092 mm)
Shipping Dimensions (H x W x D)	84.5 x 27.75 x 47 in (2146 x 705 x 1194 mm)
Unit Weight	265 lb (120 kg)
Shipping Weight	288 lb (131 kg)
Regulatory Compliance	Meets TIA/EIA-310-D and RoHS standards (Accommodates all standard rackmount equipment regardless of vendor.)

Tripp Lite has a policy of continuous improvement. Specifications are subject to change without notice.



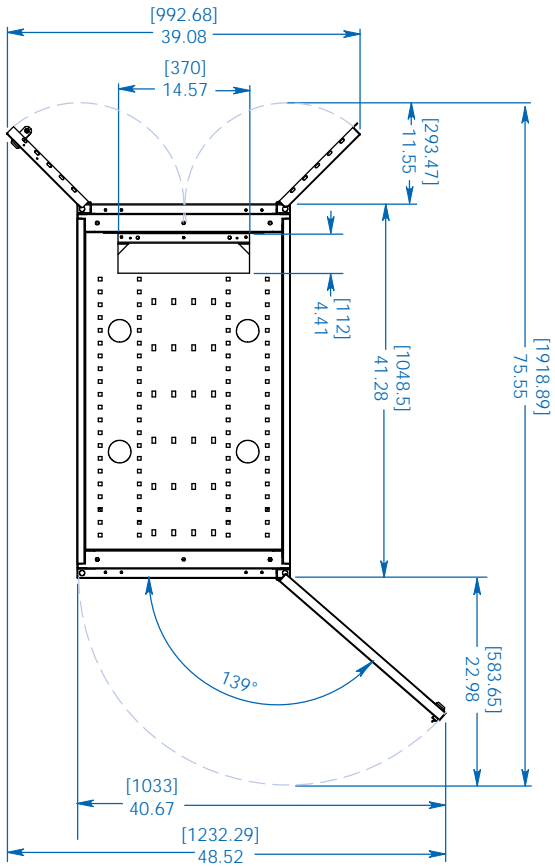
- Enclosures ship fully assembled for rapid deployment, but can be knocked down for easy reassembly in confined spaces
- Modular design optimized for quick configuration and reconfiguration
- Ideal for rackmount server, network and telecom applications

SEE NEXT PAGE FOR DETAILED UNIT MEASUREMENTS

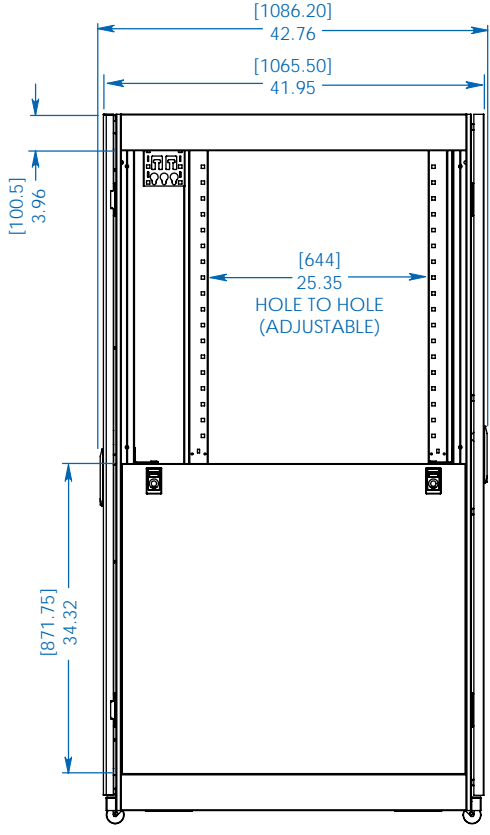


1111 W. 35th Street
Chicago, IL 60609 USA
773.869.1234
www.tripplite.com

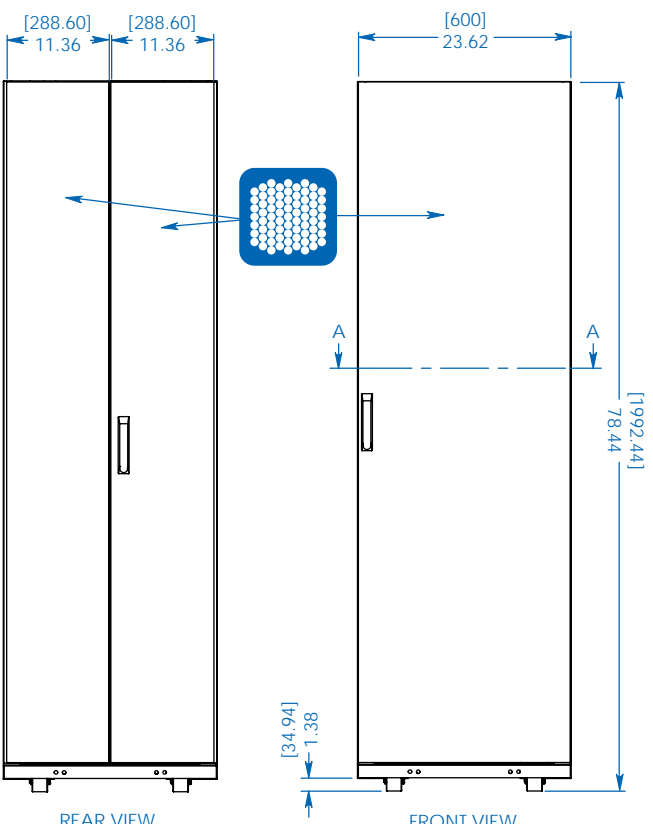
Also Available: Shock pallet models with special packaging to facilitate equipment pre-installation and reshipment to final site. Heavy-duty shock pallet holds up to 1250 lb (568 kg), including the weight of the enclosure and pre-installed equipment. Add "SP1" to model numbers above to order shock pallet models.



TOP VIEW

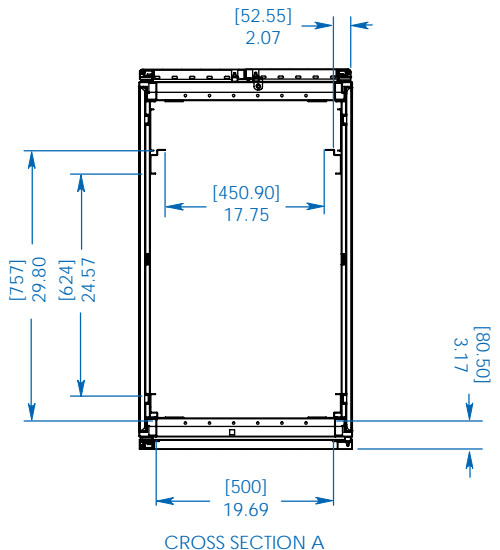


SIDE VIEW



REAR VIEW

FRONT VIEW



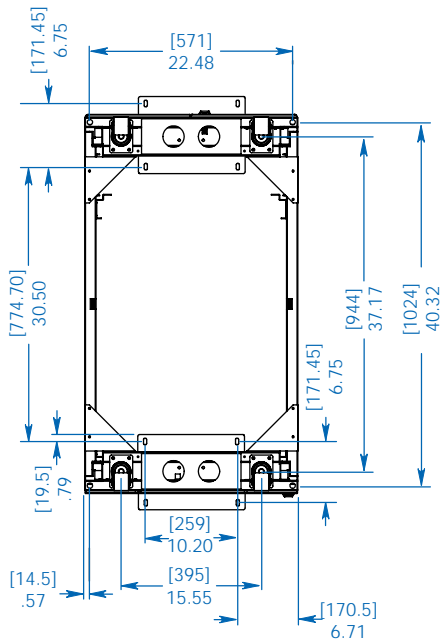
CROSS SECTION A

MODEL:
SR2400

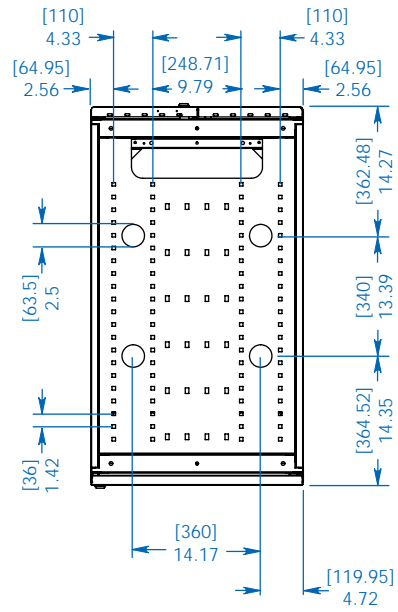


Dimensions: [mm] INCHES

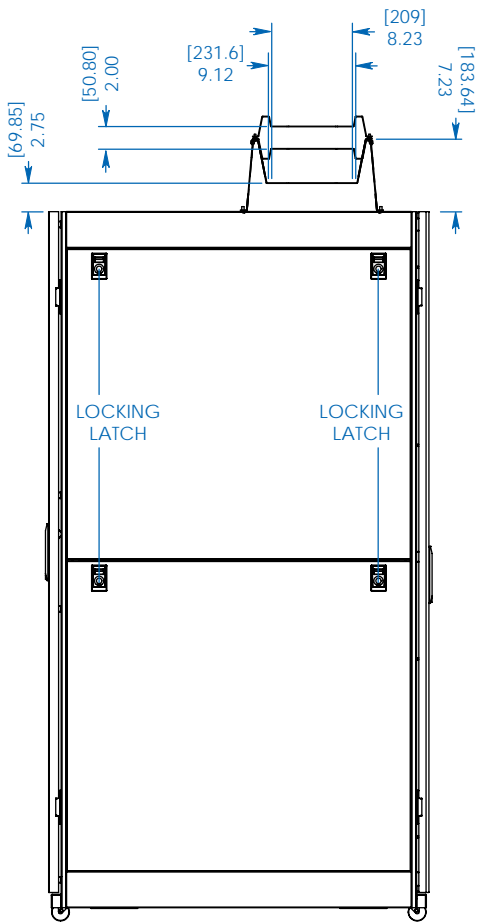
Tripp Lite has a policy of continuous improvement. Specifications are subject to change without notice.



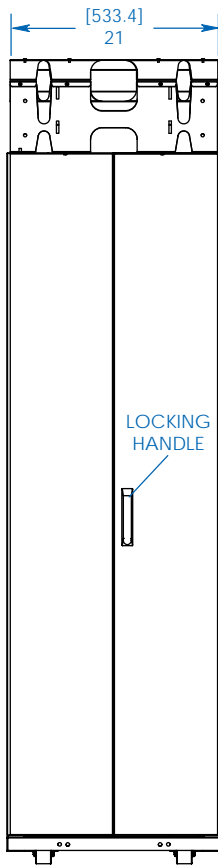
BOTTOM VIEW



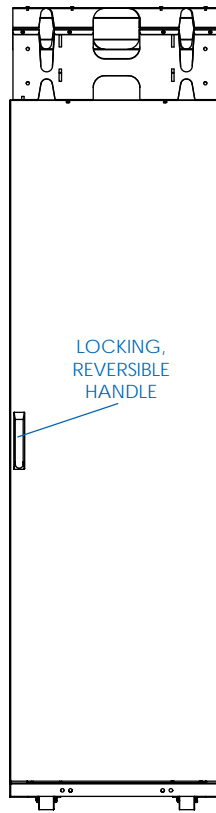
TOP VIEW



SIDE VIEW



REAR VIEW



FRONT VIEW

OPTIONAL SRCABLETRAY AND SRCABLETRAYEXP CABLE MANAGEMENT ACCESSORIES SHOWN (MOUNTING POSITION ADJUSTS TO ACCOMMODATE A WIDE RANGE OF APPLICATIONS)

MODEL:
SR2400



1111 W. 35th Street
Chicago, IL 60609 USA
773.869.1234

www.tripplite.com

Dimensions: [mm] INCHES

Tripp Lite has a policy of continuous improvement. Specifications are subject to change without notice.