

MODEL:

SR12UB

SmartRack® Premium Extra-Depth Rack Enclosure



12 Rack Units



250 lb
Stationary
Load Rating



250 lb
Rolling
Load Rating



Heavy-Duty
Casters



Locking Doors
& Side Panels



Accommodates
Standard
19-inch
Equipment



Toolless
Mounting Slots



Adjustable
Rails with
Easy-View
Depth Index



Airflow
Exceeds
Server OEM
Requirements



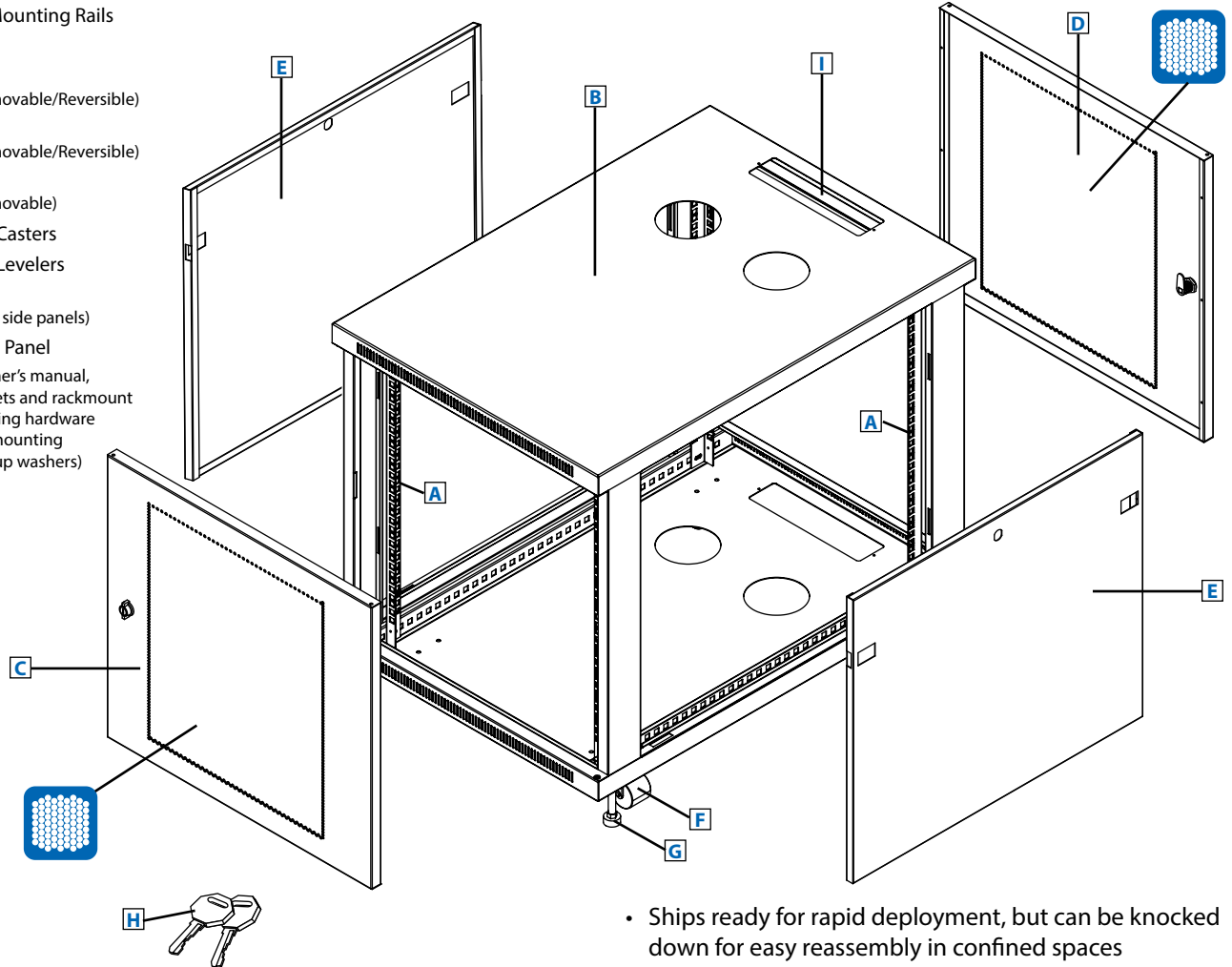
Integrated
Baying Tabs



Square Hole
Mounting

- A** Adjustable Mounting Rails
- B** Roof Panel
- C** Front Door
(Lockable/Removable/Reversible)
- D** Rear Door
(Lockable/Removable/Reversible)
- E** Side Panels
(Lockable/Removable)
- F** Heavy-Duty Casters
- G** Heavy-Duty Levelers
- H** Keys
(For doors and side panels)
- I** Cable Access Panel

Also Includes: Owner's manual,
2 stabilizing brackets and rackmount
equipment mounting hardware
(36 cage nuts, 36 mounting
screws, 36 nylon cup washers)



- Ships ready for rapid deployment, but can be knocked down for easy reassembly in confined spaces
- Modular design optimized for quick configuration and reconfiguration
- Ideal for rackmount server, network and telecom applications



Specifications

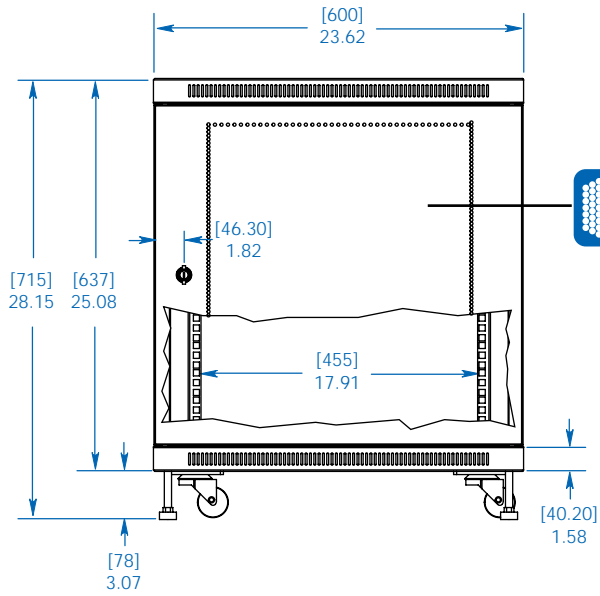
Model	SR12UB
Rack Spaces	12U
Stationary Load Rating	250 lb (113 kg)
Rolling Load Rating	250 lb (113 kg)
Unit Dimensions (H x W x D)	25.1 x 23.63 x 33.5 in (637.5 x 600.2 x 850.9 mm)
Shipping Dimensions (H x W x D)	29.7 x 27 x 36.6 in (754.4 x 685.8 x 929.6 mm)
Unit Weight / Shipping Weight	105 lb (47.63 kg) / 123 lb (55.79 kg)
Standards	Tested to UL 60950, EIA-310-E, NOM, RoHS (Accommodates all standard 19-inch rackmount equipment regardless of vendor.)

Tripp Lite has a policy of continuous improvement. Specifications are subject to change without notice.

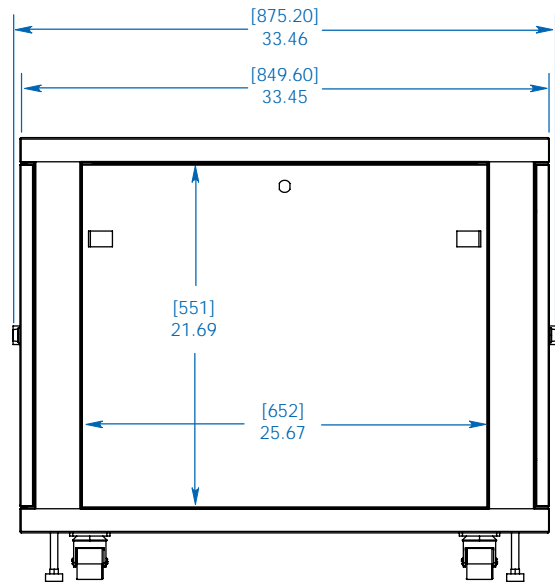
SEE NEXT PAGE FOR DETAILED UNIT MEASUREMENTS



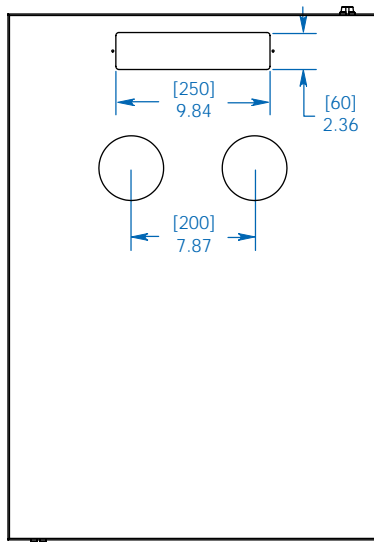
1111 W. 35th Street
Chicago, IL 60609 USA
773.869.1234
www.tripplite.com



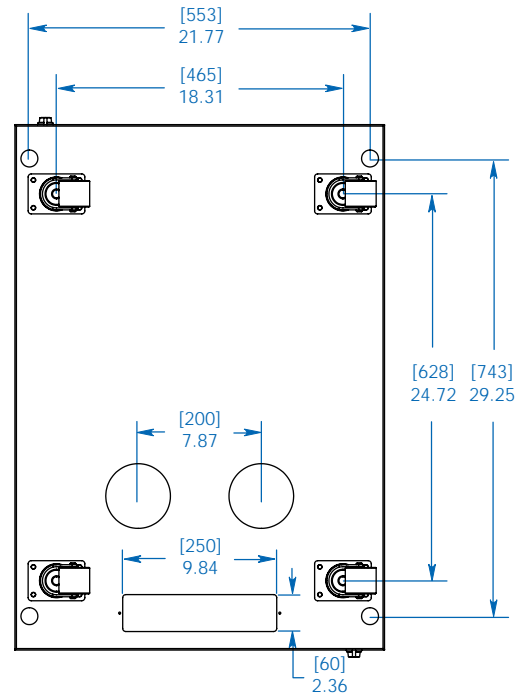
FRONT VIEW



SIDE VIEW



TOP VIEW



BOTTOM VIEW

Dimensions: [mm] INCHES

Tripp Lite has a policy of continuous improvement. Specifications are subject to change without notice.

MODEL:
SR12UB

TRIPP·LITE

1111 W. 35th Street
Chicago, IL 60609 USA
773.869.1234
www.tripplite.com