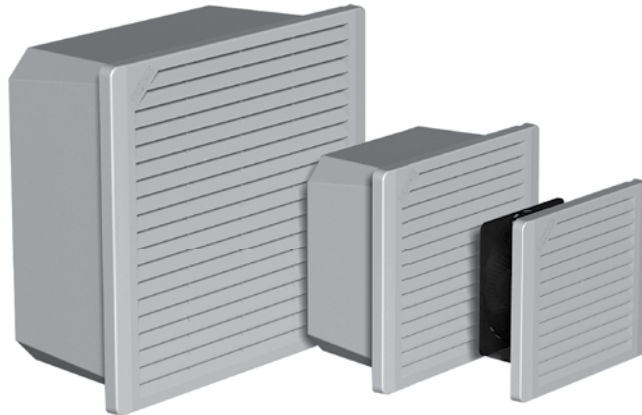
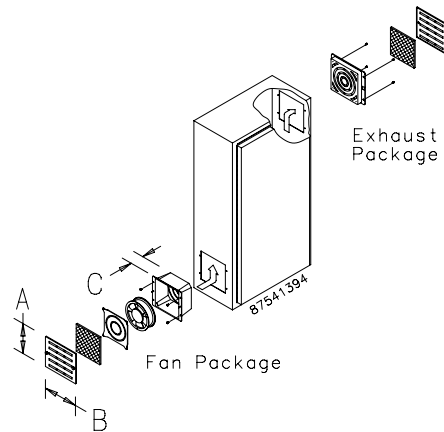


TFP SIDE-MOUNT


TFP10
215 CFM
(365 m³/hr.)

TFP6
140 CFM
(238 m³/hr.)

TFP4
55 CFM
(93 m³/hr.)


INDUSTRY STANDARDS

UL 508A Component Recognized; File No. E61997
TFP# Models: Type 1
TFP# UL 12 Models: Type 12

CSA certified (fan only)
CE

APPLICATION

- Industrial automation
- Automotive assembly
- Package handling equipment
- Food and beverage process controls
- Wind energy systems

FEATURES

- Cooling Fan Package includes fan, air filter, composite air plenum, finger guard and grille
- Exhaust Package includes air filter, filter retainer with integral finger guard and grille
- EMC Upgrade Kit includes a grille standoff collar and a special EMC shielding grille
- Reliable cooling for enclosures with limited space requiring simple filtered airflow for basic cooling
- 24 VDC, 115 VAC and 230 VAC options available
- Washable foam (Type 1) or disposable (Type 12) filter in fan

- Dynamically-balanced fan impellers molded from polycarbonate material
- 4-in. fan is thermally protected and uses permanently-lubricated ball bearings
- 6- and 10-in. fans have ball bearing construction and split-capacitor motors that are thermally protected to avoid premature failure
- Fans have lead wires for power connection with ends stripped 1/2 in. (12 mm)
- All mounting hardware and installation instructions are furnished

SPECIFICATIONS

- Free airflow from 45 CFM (76 m³/hr.) to 215 CFM (365 m³/hr.)
- Maximum operating temperature 158 F / 70 C
- Engineered for 50,000 hours of continuous operation without lubrication or service (a monthly maintenance schedule is recommended to ensure optimal cooling performance)

FINISH

- Stainless steel grilles have brushed finish.
- ABS composite grille is black.

ACCESSORIES

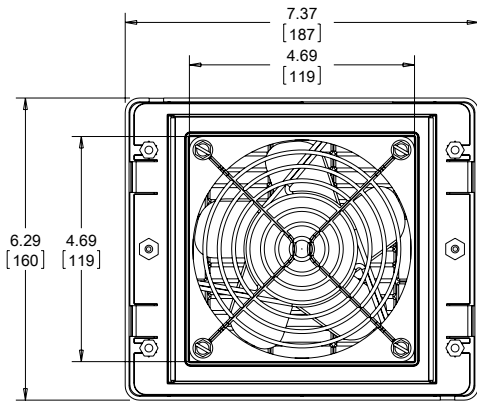
Aluminum Type 1 and Hi-Density Type 12 Filters
EMC Upgrade Kit
Grille Options:
Stainless Steel
Black ABS Plastic

Performance Data **TFP4 Models**

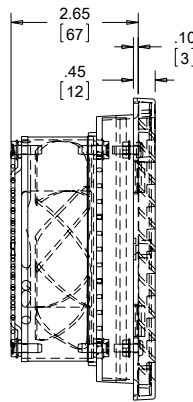
ELECTRICAL DATA			
Rated Voltage	24 VDC	115 VAC	230 VAC
Frequency (Hz)		50/60	
Nominal Current Maximum @ 50/60 Hz(Amps)	.35	.26/.21	.14/.11
Power Consumption Maximum @ 50/60 Hz (Watts)	8.4	17/15	16/14
Power Connection	Stripped Leadwires		
CATALOG NUMBERS			
Composite Type 1			
Catalog Number	TFP424	TFP41	TFP42
Stainless Steel Type 1			
Catalog Number	—	TFP41SS	TFP42SS
Composite Type 12			
Catalog Number	—	TFP41UL12	TFP42UL12
Free Airflow @ 50/60 Hz (CFM)*	55	45/55	45/55
Free Airflow @ 50/60 Hz (m ³ /hr.)*	93	76/93	76/93
UNIT CONSTRUCTION			
Noise SIL @ 50/60 Hz (dBA)	65	37/41	37/41
Maximum Operating Temperature (°F/°C)		158/70	
Unit Dimensions - H x W x D (in./mm)	6.29 x 7.37 x 2.65/160 x 187 x 67		
Cutout Dimensions - H x W (in./mm)	5.66 x 5.66/144 x 144		
Weight (lb./kg)	4.2/1.90	4.2/1.90	4.3/1.95
EXHAUST GRILLE CATALOG NUMBERS			
Composite Type 1			
Catalog Number	TEP4		
Stainless Steel Type 1			
Catalog Number	TEP4SS		
Composite Type 12			
Catalog Number	TEP4UL12		

*CFM with single exhaust grille installed.

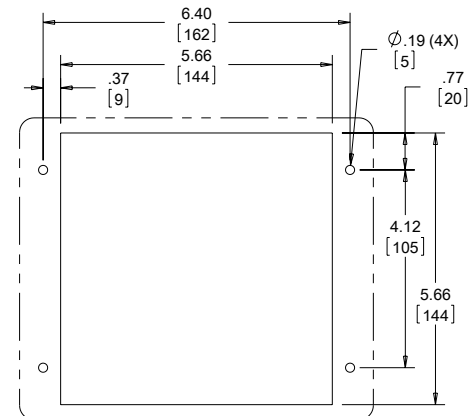
TFP4 Models



BACK VIEW

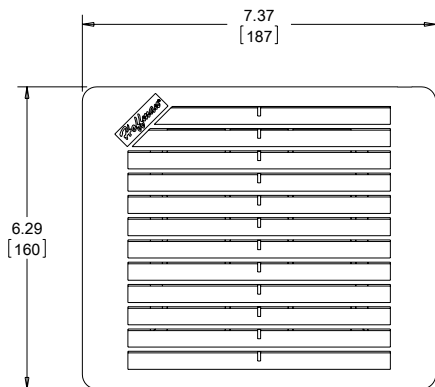


SIDE VIEW

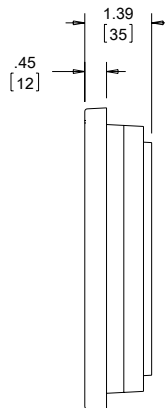


CUTOUT DIMENSIONS

TEP4 EXHAUST GRILLE



Exhaust grille included with fan package



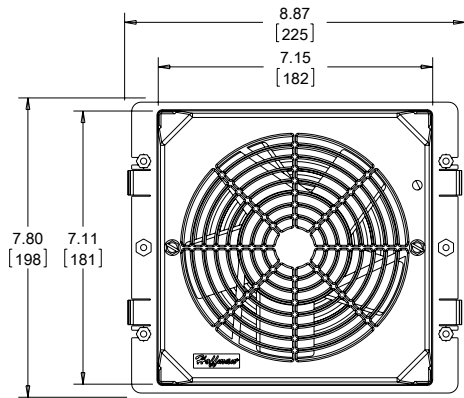
89084706

Performance Data **TFP6 Models**

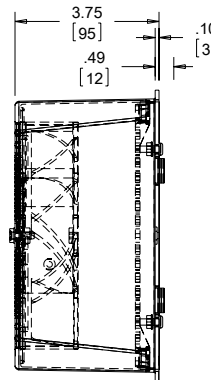
ELECTRICAL DATA			
Rated Voltage	24 VDC	115 VAC	230 VAC
Frequency (Hz)		50/60	
Nominal Current Maximum @ 50/60 Hz(Amps)	.88	.45/.36	.23/.18
Power Consumption Maximum @ 50/60 Hz (Watts)	21.1	36/32	39/35
Power Connection	Stripped Leadwires		
CATALOG NUMBERS			
Composite Type 1			
Catalog Number	TFP624	TFP61	TFP62
Stainless Steel Type 1			
Catalog Number	—	TFP61SS	TFP62SS
Composite Type 12			
Catalog Number	—	TFP61UL12	TFP62UL12
Free Airflow @ 50/60 Hz (CFM)*	140	117/140	117/140
Free Airflow @ 50/60 Hz (m ³ /hr.)*	238	199/238	199/238
UNIT CONSTRUCTION			
Noise SIL @ 50/60 Hz (dBA)	62.5	50/56	50/56
Maximum Operating Temperature (°F/°C)		158/70	
Unit Dimensions - H x W x D (in./mm)		7.80 x 8.87 x 3.75/198 x 225 x 95	
Cutout Dimensions - H x W (in./mm)		7.16 x 7.16/182 x 182	
Weight (lb./kg)	5.3/2.40	5.3/2.40	5.4/2.45
EXHAUST GRILLE CATALOG NUMBERS			
Composite Type 1			
Catalog Number		TEP6	
Stainless Steel Type 1			
Catalog Number		TEP6SS	
Composite Type 12			
Catalog Number		TEP6UL12	

*CFM with single exhaust grille installed.

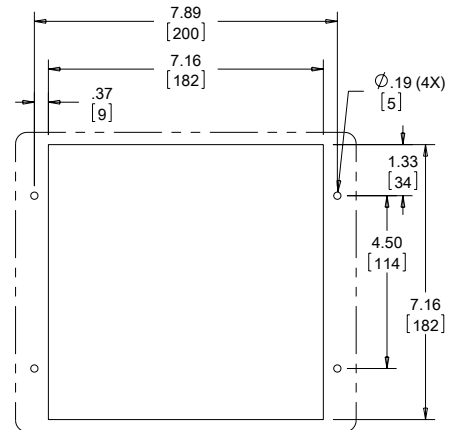
TFP6 Models



BACK VIEW

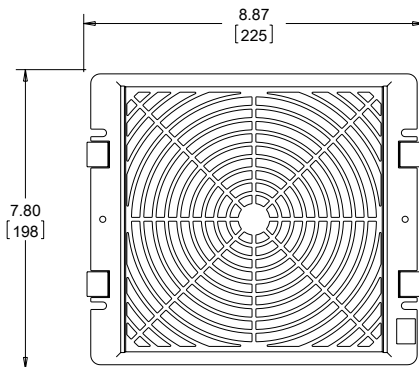


SIDE VIEW

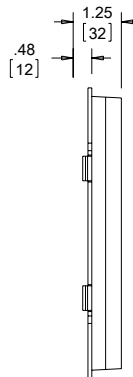


CUTOUT DIMENSIONS

TEP6 EXHAUST GRILLE



Exhaust grille included with fan package

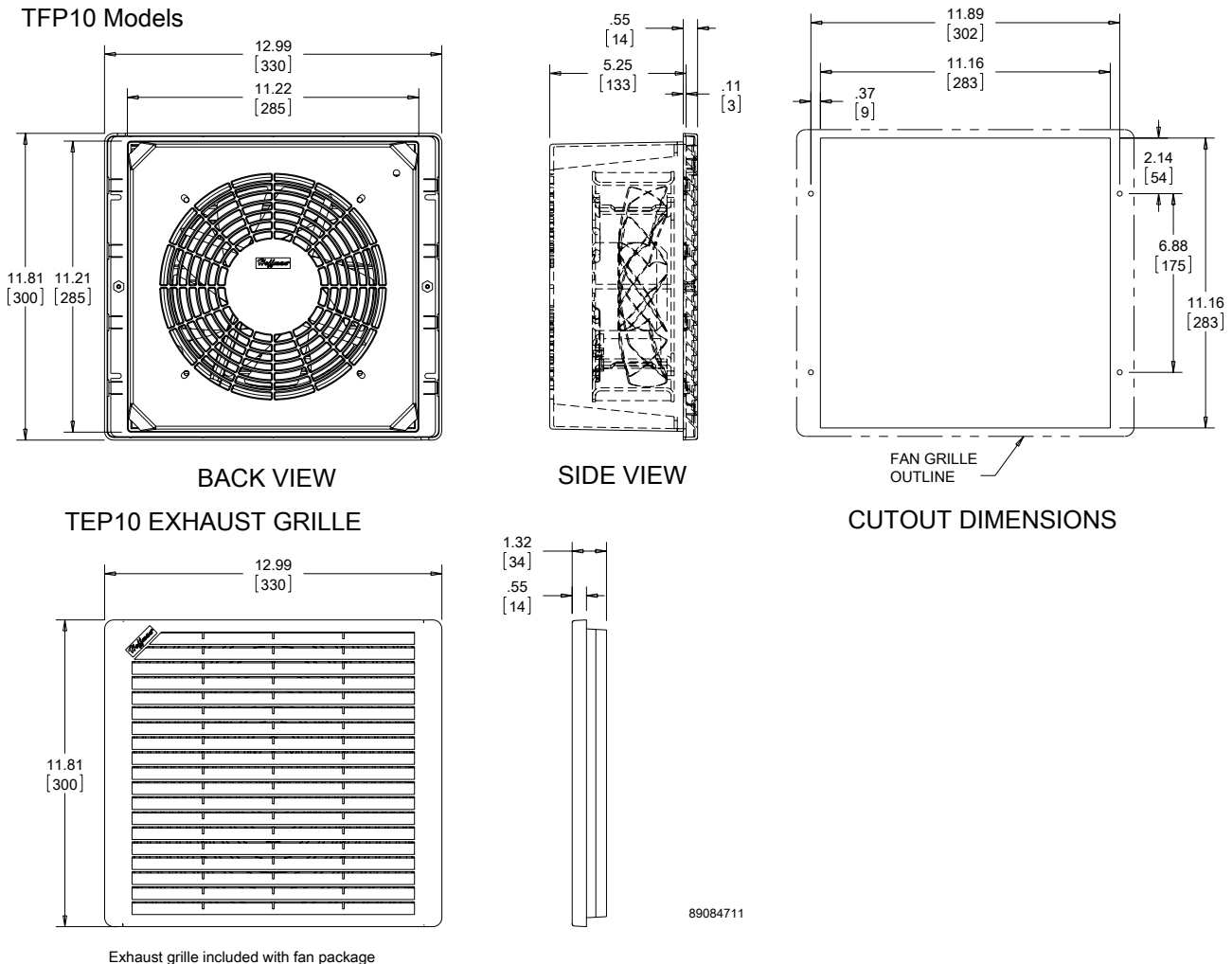


89084710

Performance Data **TFP10 Models**

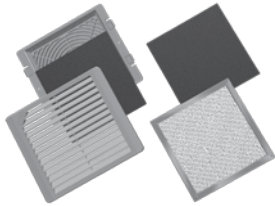
ELECTRICAL DATA			
Rated Voltage	115 VAC		230 VAC
Frequency (Hz)		50/60	
Nominal Current Maximum @ 50/60 Hz(Amps)	.58/.70		.29/.35
Power Consumption Maximum @ 50/60 Hz (Watts)	64/80		64/80
Power Connection	Stripped Leadwires		
CATALOG NUMBERS			
Composite Type 1			
Catalog Number	TFP101		TFP102
Stainless Steel Type 1			
Catalog Number	TFP101SS		TFP102SS
Composite Type 12			
Catalog Number	TFP101UL12		TFP102UL12
Free Airflow @ 50/60 Hz (CFM)*	180/215		180/215
Free Airflow @ 50/60 Hz (m ³ /hr.)*	306/365		306/365
UNIT CONSTRUCTION			
Noise SIL @ 50/60 Hz (dBA)	54/61		54/61
Maximum Operating Temperature (°F/°C)	167/75		167/75
Unit Dimensions - H x W x D (in./mm)	11.81 x 12.99 x 5.25/300 x 330 x 133		
Cutout Dimensions - H x W (in./mm)	11.16 x 11.16/283 x 283		
Weight (lb./kg)	12.0/5.44		11.4/5.17
EXHAUST GRILLE CATALOG NUMBERS			
Composite Type 1			
Catalog Number		TEP10	
Stainless Steel Type 1			
Catalog Number		TEP10SS	
Composite Type 12			
Catalog Number		TEP10UL12	

*CFM with single exhaust grille installed.



TFP EXHAUST GRILLES


CATALOG NUMBERS	Nominal Fan Size
TEP4 Models	
TEP4	4
TEP4SS	4
TEP4UL12	4
TEP6 Models	
TEP6	6
TEP6SS	6
TEP6UL12	6
TEP10 Models	
TEP10	10
TEP10SS	10
TEP10UL12	10

TFP OPTIONAL GRILLES AND REPLACEMENT FILTERS


Optional grilles offer the choice of stainless steel or black ABS plastic. These grilles replace the standard RAL 7035 gray composite or stainless steel grilles on both fan and exhaust packages. Standard replacement filters are washable foam (Type 1) or disposable (Type 12). To maintain UL Type 12 rating on the enclosure, UL Type 12 filters must be used on the fan package inlet. Washable aluminum filters are also available. Aluminum filters are compatible with Type 1 systems only. *Type 12 air filters are not washable.*

CATALOG NUMBERS	Description	Fits Fan and Exhaust Nominal Size	Fits Fan and Exhaust Grill Size (in./mm)
4-inch Fan Models			
TG4SS	Brushed stainless steel grille	4	6.29 x 7.31 x .81 160 x 186 x 21
TG4B	Black ABS plastic grille	4	6.29 x 7.37 x .81 160 x 187 x 21
AFLTR4	Type 1 filter replacement (5/package)	4	—
AFLTR4AL	Aluminum filter replacement (5/package)	4	—
TFLT4UL12	Type 12 filter replacement (5/package)	4	—
6-inch Fan Models			
TG6SS	Brushed stainless steel grille	6	7.80 x 8.81 x .75 198 x 224 x 19
TG6B	Black ABS plastic grille	6	7.80 x 8.87 x .49 198 x 225 x 12
AFLTR6	Foam filter replacement (5/package)	6	—
AFLTR6AL	Aluminum filter replacement (5/package)	6	—
TFLT6UL12	UL 12 filter replacement (5/package)	6	—
10-inch Fan Models			
TG10SS	Brushed stainless steel grille	10	11.81 x 12.92 x .75 300 x 328 x 19
TG10B	Black ABS plastic grille	10	11.81 x 12.99 x .75 300 x 330 x 19
AFLTR10	Foam filter replacement (5/package)	10	—
AFLTR10AL	Aluminum filter replacement (5/package)	10	—
TFLT10UL12	UL 12 filter replacement (5/package)a	10	—

Replacement filter for Type 12 fan package only (models TFF__UL12). For Type 12 exhaust package use replacement filter AFLTRX.

Filters fit all fan and exhaust packages according to their size.

TFP EMC UPGRADE KIT

With the addition of this kit, the cooling fan and exhaust packages are upgraded to provide EMC (electromagnetic compatibility) protection. Consult Hoffman for shielding effectiveness (dB attenuation vs. frequency).
 Separate kits must be installed on both the inlet and outlet. Cooling fan and exhaust package must be ordered separately. EMC upgrade kit will not work with stainless steel grille option.

CATALOG NUMBERS	Fits Cooling Fan Package	Fits Exhaust Grille
4-inch Fan Models		
T4EMC	TFP41/TFP42	TEP4
6-inch Fan Models		
T6EMC	TFP61/TFP62	TEP6
10-inch Fan Models		
T10EMC	TFP101/TFP102	TEP10

