

Mating face RJ45  
acc. to IEC 60603-7

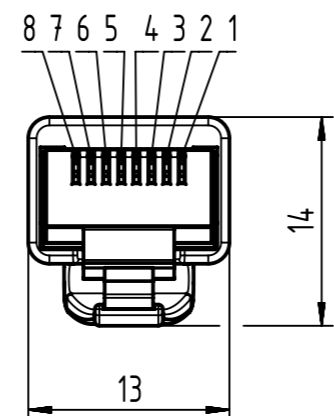
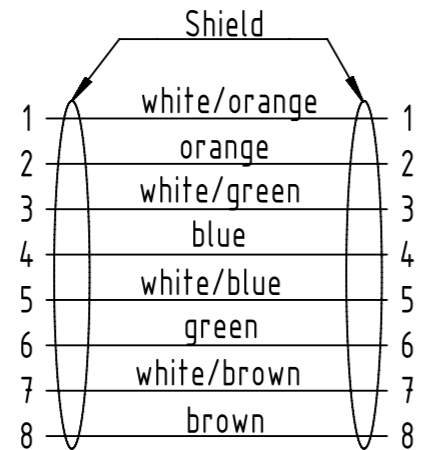
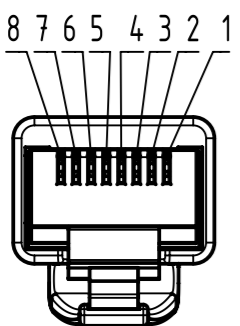
Overmoulded body, grey

Protection latch yellow

X

Loading-Plan  
acc. to TIA/EIA 568B

Y



For lengths < 1,0m:  
- relative positioning of the connectors to each other will be as presented in the drawing,  
however with an admissible angular deviation around cable axis of  $\pm 30^\circ$   
For lengths  $\geq 1,0m$ :  
-relative positioning of the connectors to each other not obligatory

- Protection level: IP20  
- Temperature range:  $0^\circ\text{C} \dots +60^\circ\text{C}$

	All rights reserved Department EC PD - RO	All Dimensions in mm Original Size DIN A3		Scale 2:1	Free size tol.	Ref. Sub.
		Created by TAMAS	Inspected by STOICA	Standardisation HOFFMANN	Date 2014-09-08	State Final Release
HARTING Electronics GmbH D-32339 Espelkamp		Title RJ Industrial Cable Assembly			Doc-Key / ECM-Nr. 100170398/UGD/016/E 50000079493	
		Type TB	Number 094747470XX		Rev. E	Page 1/2

Cont. no.	Part-No.	Type of cable	Dim. a[m]
37	09474747040	4x2AWG 26/7 SF/UTP Cat.5e PUR	60.0
36	09474747029		50.0
35	09474747036		48.0
34	09474747028		40.0
33	09474747026		35.0
32	09474747027		30.0
31	09474747025		25.0
30	09474747023		20.0
29	09474747034		18.0
28	09474747033		17.0
27	09474747032		16.0
26	09474747022		15.0
25	09474747031		14.0
24	09474747035		12.0
23	09474747030		11.0
22	09474747021		10.0
21	09474747020		9.0
20	09474747019		8.0
19	09474747018		7.5
18	09474747017		7.0
17	09474747016		6.0
16	09474747015		5.0
15	09474747014		4.0
14	09474747024		3.5
13	09474747013		3.0
12	09474747012		2.5
11	09474747011		2.0
10	09474747010		1.5
9	09474747009		1.0
8	09474747008		0.9
7	09474747007		0.8
6	09474747006		0.7
5	09474747005		0.6
4	09474747004		0.5
3	09474747003		0.4
2	09474747002		0.3
1	09474747001		0.2

±1%

+0.040

+0.020

	All Dimensions in mm Original Size DIN A3	Scale 1:1	Free size tol.	Ref. Sub.
	All rights reserved Department EC PD - RO	Created by TAMAS	Inspected by STOICA	Standardisation HOFFMANN
HARTING Electronics GmbH D-32339 Espelkamp		Title RJ Industrial Cable Assembly		Doc-Key / ECM-Nr. 100170398/UGD/016/E 500000079493
		Type TB	Number 094747470XX	Rev. E Page 2/2