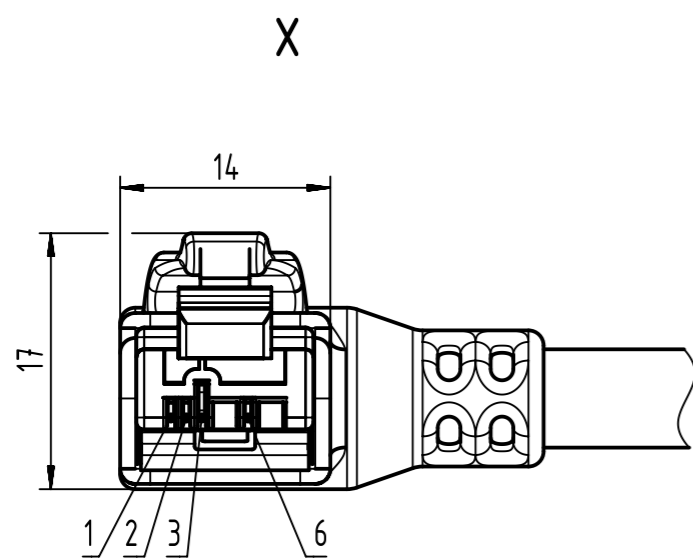
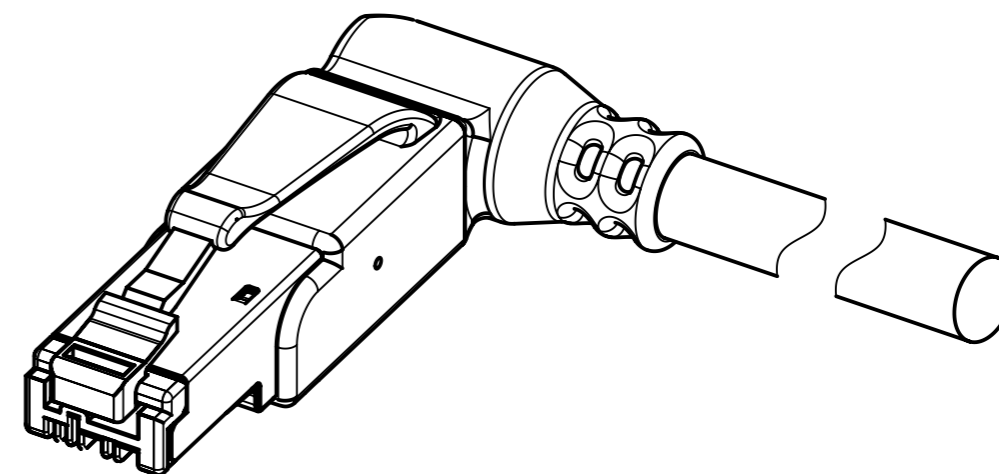
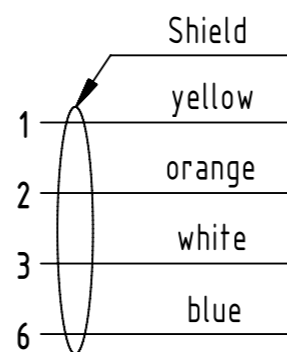


HARTING RJ Industrial RJ45, Cat. 5,  
4-pole, angled overmolded, 180° position

Mating face RJ45 acc. to IEC 60603-7



Loading-Plan:



- Protection level: IP20
- Temperature range: -40°C ... +70°C

	All rights reserved		Created by		Inspected by		Standardisation		Date		State		
	Department EC PD - RO		MUNTEANV		AVRAM		HOFFMANN		2015-05-19		Final Release		
HARTING Electronics GmbH		Title						Doc-Key / ECM-Nr.		Rev.		Page	
D-32339 Espelkamp		RJ Industrial Cable Assembly						100081066/UGD/014/C		C		1/2	
		Type		Number									
		TB		094705000XX									

1		2		3		4		5		6		7		8							
A	52	09470500052	RJ45 Ethernet trailing cable, AWG22/7, 2x2x0.75, PUR, Cat. 5+, green	6.5±0.2	6	RJ45 Ha-VIS EtherRail flexible data cable, AWG 22/7, 4x0.25, Cat. 5/5e, black	6.6±0.2	1.5	89	09470500089	RJ45 Ethernet stranded cable, 4xAWG22/7, PVC, Cat. 5+, green	6.5±0.2	100	1.5							
	51	09470500051			5		100	100													
	50	09470500050			4		90	90													
	49	09470500049			3		80	80													
	48	09470500048			2		70	70													
	47	09470500047			1.5		60	60													
	46	09470500046			1		50	50													
	45	09470500045			0.5		40	40													
	44	09470500044			100		30	30													
	43	09470500043			90		20	20													
B	42	09470500042	RJ45 Ethernet standard cable, AWG22/1, 2x2x0.64, PVC, Cat. 5+, green	6.5±0.2	80	RJ45 Ethernet trailing cable, AWG22/7, 2x2x0.75, PUR, Cat. 5+, green	6.5±0.2	15	79	09470500079	RJ45 Ethernet standard cable, AWG22/7, 2x2x0.64, PVC, Cat. 5+, green	6.5±0.2	10	10							
	41	09470500041			70										15	15					
	40	09470500040			60										10	10					
	39	09470500039			50										9	9					
	38	09470500038			40										8	8					
	37	09470500037			30										7	7					
	36	09470500036			20										6	6					
	35	09470500035			15										5	5					
	34	09470500034			10										4	4					
	33	09470500033			9										3	3					
C	32	09470500032	RJ45 Ethernet standard cable, AWG22/1, 2x2x0.64, PVC, Cat. 5+, green	6.5±0.2	8	RJ45 Ethernet trailing cable, AWG22/7, 2x2x0.75, PUR, Cat. 5+, green	6.5±0.2	7	78	09470500078	RJ45 Ethernet standard cable, AWG22/7, 2x2x0.64, PVC, Cat. 5+, green	6.5±0.2	7	7							
	31	09470500031			7										6	6					
	30	09470500030			6										5	5					
	29	09470500029			5										4	4					
	28	09470500028			4										3	3					
	27	09470500027			3										2	2					
	26	09470500026			2										1.5	1.5					
	25	09470500025			1.5										1	1					
	24	09470500024			1										0.5	0.5					
	23	09470500023			0.5										100	100					
D	22	09470500022	RJ45 Ethernet standard cable, AWG22/1, 2x2x0.64, PVC, Cat. 5+, green	6.5±0.2	100	RJ45 Ethernet trailing cable, AWG22/7, 2x2x0.75, PUR, Cat. 5+, green	6.5±0.2	100	66	09470500066	RJ45 Ethernet standard cable, AWG22/1, 2x2x0.64, PVC, Cat. 5+, green	6.5±0.2	100	100							
	21	09470500021			90										90	90					
	20	09470500020			80										80	80					
	19	09470500019			70										70	70					
	18	09470500018			60										60	60					
	17	09470500017			50										50	50					
	16	09470500016			40										40	40					
	15	09470500015			30										30	30					
	14	09470500014			20										20	20					
	13	09470500013			15										15	15					
E	12	09470500012	RJ45 Ethernet standard cable, AWG22/1, 2x2x0.64, PVC, Cat. 5+, green	6.5±0.2	10	RJ45 Ethernet trailing cable, AWG22/7, 2x2x0.75, PUR, Cat. 5+, green	6.5±0.2	10	56	09470500056	RJ45 Ethernet standard cable, AWG22/1, 2x2x0.64, PVC, Cat. 5+, green	6.5±0.2	10	10							
	11	09470500011			9										9	9					
	10	09470500010			8										8	8					
	9	09470500009			7										7	7					
	8	09470500008			6										6	6					
	7	09470500007			5										5	5					
	6	09470500006			4										4	4					
	5	09470500005			3										3	3					
	4	09470500004			2										2	2					
	3	09470500003			1.5										1.5	1.5					
F	2	09470500002	RJ45 Ethernet standard cable, AWG22/1, 2x2x0.64, PVC, Cat. 5+, green	6.5±0.2	1	RJ45 Ethernet trailing cable, AWG22/7, 2x2x0.75, PUR, Cat. 5+, green	6.5±0.2	1	55	09470500055	RJ45 Ethernet standard cable, AWG22/1, 2x2x0.64, PVC, Cat. 5+, green	6.5±0.2	1	1							
	1	09470500001			0.5										0.5	0.5					
	Cont. no.	Part no.			Type of cable										Dim. d [mm]	Dim. a [m]	Cont. no.	Part no.	Type of cable	Dim. d [mm]	Dim. a [m]

	All rights reserved Department EC PD - RO	All Dimensions in mm Original Size DIN A3	Scale 1:1	Free size tol.	Ref. Sub.
Created by MUNTEANV		Inspected by AVRAM	Standardisation HOFFMANN	Date 2015-05-19	State Final Release
Title RJ Industrial Cable Assembly				Doc-Key / ECM-Nr. 100081066/UGD/014/C 500000089346	
HARTING Electronics GmbH D-32339 Espelkamp		Type TB	Number 094705000XX		Rev. C Page 2/2