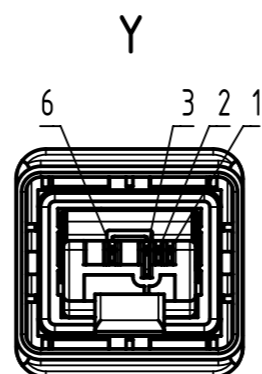
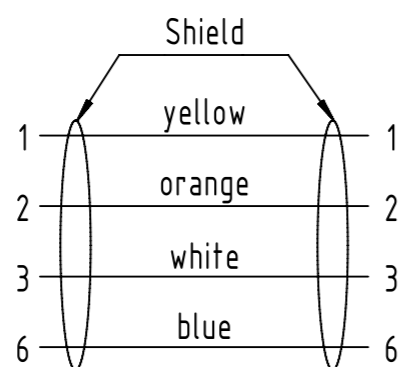
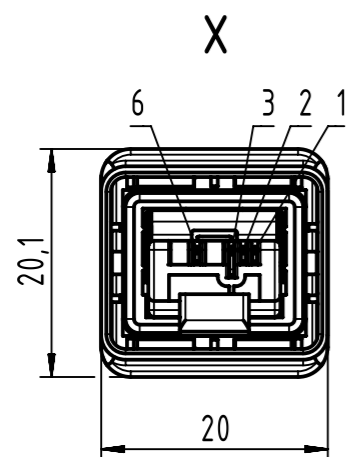


Loading-Plan:




- Protection level: IP65/67
- Temperature range: -40°C ... +70°C

	All rights reserved Department EC PD - RO	All Dimensions in mm Original Size DIN A3		Scale 1.5:1	Free size tol.	Ref. Sub.
		Created by MUNTEANV	Inspected by AVRAM	Standardisation HOFFMANN	Date 2015-02-02	State Final Release
HARTING Electronics GmbH D-32339 Espelkamp		Title HARTING PushPull Cable Assembly			Doc-Key / ECM-Nr. 100155480/UGD/008/B 50000084462	
		Type TB	Number 09473636XXX		Rev. B	Page 1/2

1	2	3	4	5	6	7	8							
A				A										
49	09473636044	RJ45 Ethernet stranded cable, 4xAWG22/7, PVC, Cat. 5+, green	100	93	09473636088	RJ45 Ethernet stranded cable, AWG22/7, 2x2x0.75, outdoor, PVC, Cat. 5+, black	100							
48	09473636043		90	92	09473636087		90							
47	09473636042		80	91	09473636086		80							
46	09473636041		70	90	09473636085		70							
45	09473636040		60	89	09473636084		60							
44	09473636039		50	88	09473636083		50							
43	09473636038		40	87	09473636082		40							
42	09473636037		30	86	09473636081		30							
41	09473636036		20	85	09473636080		20							
40	09473636035		15	84	09473636079		15							
39	09473636034		10	83	09473636078		10							
38	09473636033		9	82	09473636077		9							
37	09473636032		8	81	09473636076		8							
36	09473636031		7	80	09473636075		7							
35	09473636030		6	79	09473636074		6							
34	09473636029		5	78	09473636073		5							
33	09473636028		4	77	09473636072		4							
32	09473636027		3	76	09473636071		3							
31	09473636026		2	75	09473636070		2							
30	09473636025		1.5	74	09473636069		1.5							
29	09473636024		1	73	09473636068		1							
28	09473636023		0.5	72	09473636067		0.5							
27	09473636022		100	71	09473636066		100							
26	09473636021		90	70	09473636065		90							
25	09473636093		85	69	09473636064		80							
24	09473636020		80	68	09473636063		70							
23	09473636019		70	67	09473636062		60							
22	09473636092		65	66	09473636061		50							
21	09473636018		60	65	09473636060		40							
20	09473636091		55	64	09473636059		30							
19	09473636017		50	63	09473636058		20							
18	09473636016		40	62	09473636057		15							
17	09473636090		35	61	09473636056		10							
16	09473636015		30	60	09473636055		9							
15	09473636089		25	59	09473636054		8							
14	09473636014		20	58	09473636053		7							
13	09473636013		15	57	09473636052		6							
12	09473636012		10	56	09473636051		5							
11	09473636011		9	55	09473636050		4							
10	09473636010		8	54	09473636049		3							
9	09473636009		7	53	09473636048		2							
8	09473636008		6	52	09473636047		1.5							
7	09473636007		5	51	09473636046		1							
6	09473636006		4	50	09473636045		0.5							
5	09473636005		3	Cont. no.				Part no.		Type of cable		Dim. a[m]		
4	09473636004		2	Cont. no.				Part no.		Type of cable		Dim. a[m]		
3	09473636003		1.5	Cont. no.				Part no.		Type of cable		Dim. a[m]		
2	09473636002		1	Cont. no.				Part no.		Type of cable		Dim. a[m]		
1	09473636001		0.5	Cont. no.				Part no.		Type of cable		Dim. a[m]		
1	2	3	4	5	6	7	8							
F				F										

RJ45 Ethernet stranded cable,  
AWG22/7, 2x2x0.75, outdoor,  
PVC, Cat. 5+, black

RJ45 Ethernet trailing cable,  
AWG22/7, 2x2x0.75, PUR, Cat. 5+, green

 All rights reserved Department EC PD - RO		All Dimensions in mm Original Size DIN A3	Scale 1:1	Free size tol.	Ref. Sub.
Created by MUNTEANV		Inspected by AVRAM	Standardisation HOFFMANN	Date 2015-02-02	State Final Release
Title HARTING PushPull Cable Assembly		Doc-Key / ECM-Nr. 100155480/UGD/008/B 50000084462		Rev. B	
HARTING Electronics GmbH D-32339 Espelkamp		Type TB	Number 09473636XXX		Page 2/2