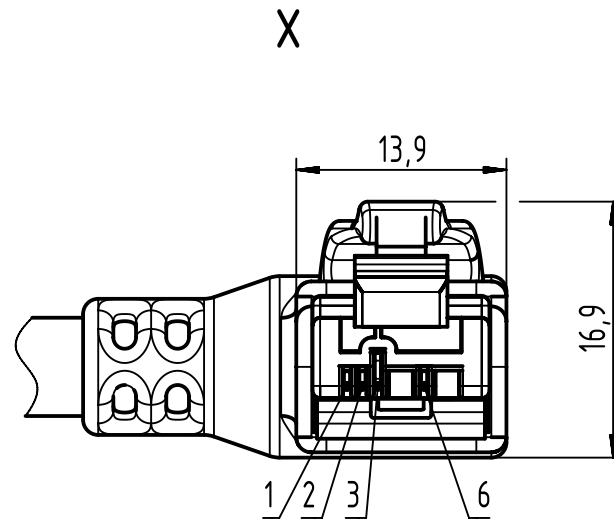
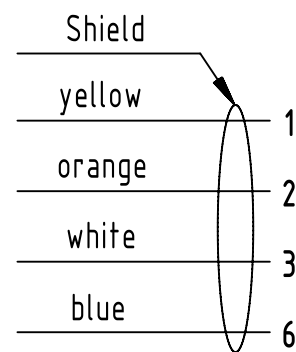


HARTING RJ Industrial RJ45, Cat. 5,  
4-pole, angled overmolded, 0° position

Mating face RJ45 acc. to IEC 60603-7

Loading-Plan:



- Protection level: IP20
- Temperature range: -40°C ... +70°C

	All rights reserved		Created by		Inspected by		Standardisation		Date		State		
	Department EC PD - RO		MUNTEANV		AVRAM		HOFFMANN		2015-04-16		Final Release		
HARTING Electronics GmbH		Title						Doc-Key / ECM-Nr.		Rev.		Page	
D-32339 Espelkamp		RJ Industrial Cable Assembly						100177621/UGD/010/C 50000088283		C		1/2	
			Type		Number								
			TB		09470600XXX								

1		2		3		4		5		6		7		8										
A	52	09470600052	RJ45 Ethernet trailing cable, AWG22/7, 2x2x0.75, PUR, Cat. 5+, green	6.5±0.2	6	RJ45 Ha-VIS EtherRail, Flexible data cable, AWG22/7, 4x0.25, Cat. 5/5e, black	6.6±0.2	0.5	90	09470600090	RJ45 Ethernet stranded cable, 4xAWG22/7, PVC, Cat. 5+, green	6.5±0.2	100	89	09470600088	RJ45 Ethernet trailing cable, AWG22/7, 2x2x0.75, PUR, Cat. 5+, green	100							
	51	09470600051			5		88	09470600087		90				80										
	50	09470600050			4		87	09470600086		80				70										
	49	09470600049			3		86	09470600085		70				60										
	48	09470600048			2		85	09470600084		60				50										
B	47	09470600047	RJ45 Ethernet standard cable, AWG22/1, 2x2x0.64, PVC, Cat. 5+, green	6.5±0.2	1.5	RJ45 Ethernet trailing cable, AWG22/7, 2x2x0.75, PUR, Cat. 5+, green	6.5±0.2	100	90	09470600083	RJ45 Ethernet stranded cable, 4xAWG22/7, PVC, Cat. 5+, green	6.5±0.2	80	09470600082	RJ45 Ethernet trailing cable, AWG22/7, 2x2x0.75, PUR, Cat. 5+, green	90								
	46	09470600046			1			82		09470600081			80	70										
	45	09470600045			0.5			81		09470600080			70	60										
	44	09470600044			100			80		09470600079			60	50										
	43	09470600043			90			79		09470600089			50	40										
	42	09470600042			80			78		09470600078			40	30										
	41	09470600041			70			77		09470600077			30	20										
	40	09470600040			60			76		09470600076			20	15										
	39	09470600039			50			75		09470600075			15	13										
	38	09470600038			40			74		09470600074			10	10										
C	37	09470600037	RJ45 Ethernet standard cable, AWG22/1, 2x2x0.64, PVC, Cat. 5+, green	6.5±0.2	30	RJ45 Ethernet trailing cable, AWG22/7, 2x2x0.75, PUR, Cat. 5+, green	6.5±0.2	9	80	09470600073	RJ45 Ethernet stranded cable, 4xAWG22/7, PVC, Cat. 5+, green	6.5±0.2	8	09470600072	RJ45 Ethernet trailing cable, AWG22/7, 2x2x0.75, PUR, Cat. 5+, green	9								
	36	09470600036			20			72		09470600071			8	7										
	35	09470600035			15			71		09470600070			7	6										
	34	09470600034			10			70		09470600069			6	5										
	33	09470600033			9			69		09470600068			5	4										
	32	09470600032			8			68		09470600067			4	3										
	31	09470600031			7			67		09470600066			3	2										
	30	09470600030			6			66		09470600065			2	1.5										
	29	09470600029			5			65		09470600064			1	1										
	28	09470600028			4			64		09470600063			0.5	0.5										
D	27	09470600027	RJ45 Ethernet standard cable, AWG22/1, 2x2x0.64, PVC, Cat. 5+, green	6.5±0.2	3	RJ45 Ethernet trailing cable, AWG22/7, 2x2x0.75, PUR, Cat. 5+, green	6.5±0.2	100	80	09470600062	RJ45 Ethernet stranded cable, 4xAWG22/7, PVC, Cat. 5+, green	6.5±0.2	100	09470600061	RJ45 Ethernet trailing cable, AWG22/7, 2x2x0.75, PUR, Cat. 5+, green	90								
	26	09470600026			2			63		09470600060			90	80										
	25	09470600025			1.5			62		09470600059			80	70										
	24	09470600024			1			61		09470600058			70	60										
	23	09470600023			0.5			60		09470600057			60	50										
	22	09470600022			100			59		09470600056			50	40										
	21	09470600021			90			58		09470600055			40	30										
	20	09470600020			80			57		09470600054			30	20										
	19	09470600019			70			56		09470600053			20	15										
	18	09470600018			60			55		09470600052			15	10										
E	17	09470600017	RJ45 Ethernet standard cable, AWG22/1, 2x2x0.64, PVC, Cat. 5+, green	6.5±0.2	50	RJ45 Ethernet trailing cable, AWG22/7, 2x2x0.75, PUR, Cat. 5+, green	6.5±0.2	10	80	09470600051	RJ45 Ethernet stranded cable, 4xAWG22/7, PVC, Cat. 5+, green	6.5±0.2	9	09470600050	RJ45 Ethernet trailing cable, AWG22/7, 2x2x0.75, PUR, Cat. 5+, green	9								
	16	09470600016			40			54		09470600049			8	7										
	15	09470600015			30			53		09470600048			7	6										
	14	09470600014			20			52		09470600047			6	5										
	13	09470600013			15			51		09470600046			5	4										
	12	09470600012			10			50		09470600045			4	3										
	11	09470600011			9			49		09470600044			3	2										
	10	09470600010			8			48		09470600043			2	1.5										
	9	09470600009			7			47		09470600042			1	1										
	8	09470600008			6			46		09470600041			0.5	0.5										
F	7	09470600007	RJ45 Ethernet standard cable, AWG22/1, 2x2x0.64, PVC, Cat. 5+, green	6.5±0.2	5	RJ45 Ethernet trailing cable, AWG22/7, 2x2x0.75, PUR, Cat. 5+, green	6.5±0.2	10	80	09470600040	RJ45 Ethernet stranded cable, 4xAWG22/7, PVC, Cat. 5+, green	6.5±0.2	9	09470600039	RJ45 Ethernet trailing cable, AWG22/7, 2x2x0.75, PUR, Cat. 5+, green	9								
	6	09470600006			4			45		09470600038			8	7										
	5	09470600005			3			44		09470600037			7	6										
	4	09470600004			2			43		09470600036			6	5										
	3	09470600003			1.5			42		09470600035			5	4										
	2	09470600002			1			41		09470600034			4	3										
	1	09470600001			0.5			40		09470600033			3	2										
	Cont. no.	Part no.			Type of cable			Dim. d [mm]		Dim. a [m]						Dim. d [mm]	Dim. a [m]			Dim. d [mm]	Dim. a [m]			
	1	2			3			4		5			6	7		8	8	8			8	8		

		All Dimensions in mm Original Size DIN A3		Scale 1:1	Free size tol.	Ref. Sub.	
All rights reserved Department EC PD - RO		Created by MUNTEANV	Inspected by AVRAM	Standardisation HOFFMANN	Date 2015-04-16	State Final Release	
HARTING Electronics GmbH D-32339 Espelkamp		Title RJ Industrial Cable Assembly				Doc-Key / ECM-Nr. 100177621/UGD/010/C 50000088283	
Type TB	Number 09470600XXX		Rev. C		Page 2/2		