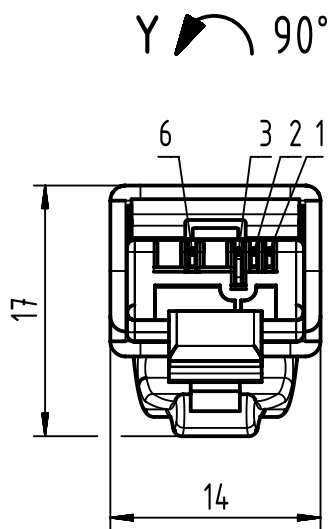
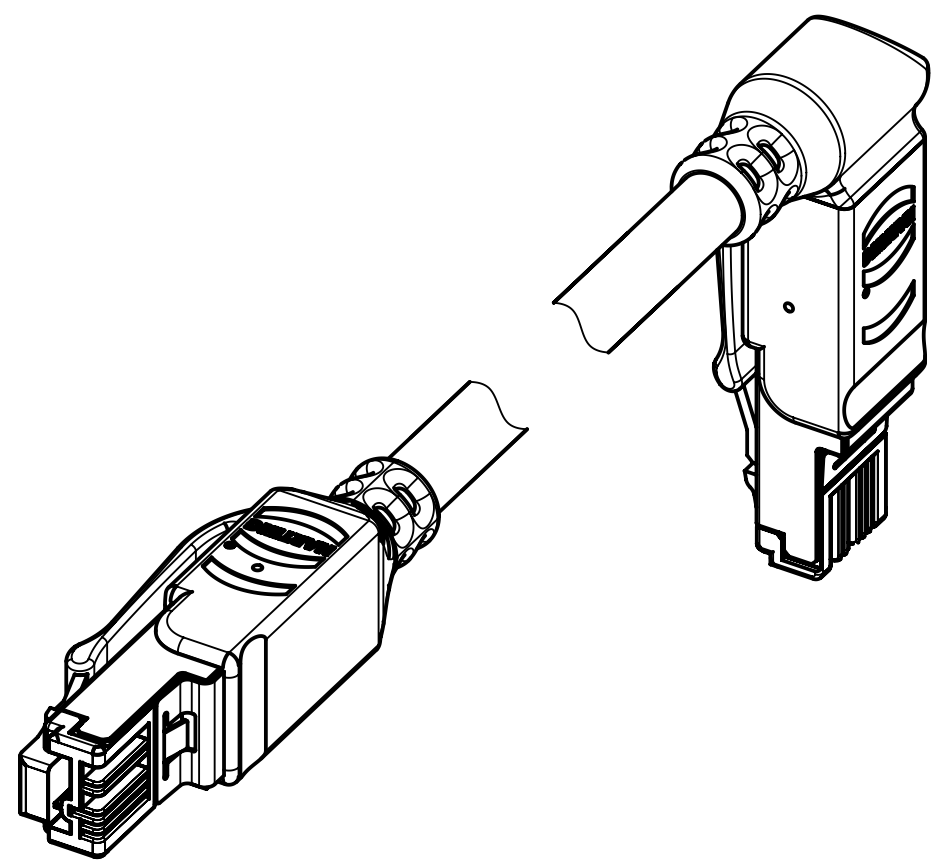


Mating face RJ45 acc. to IEC 60603-7

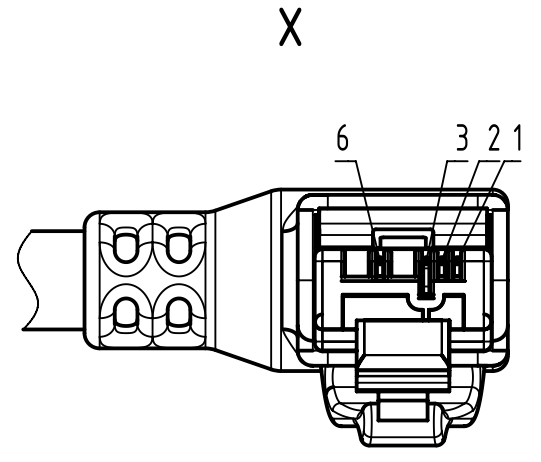
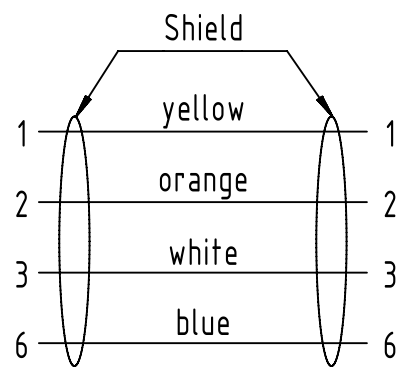
HARTING RJ Industrial RJ45, Cat. 5, 4-pole, overmolded

HARTING RJ Industrial RJ45, Cat. 5, 4-pole, angled overmolded, 180° position



Y ↻ 90°


Loading-Plan:



- Protection level: IP20  
 - Temperature range: -40°C ... +70°C

	All Dimensions in mm Original Size DIN A3		Scale 2:1	Free size tol.		Ref.
	All rights reserved Department EC PD - RO		Created by MUNTEANV	Inspected by TAMAS	Standardisation KOHLER	Date 2015-07-24
HARTING Electronics GmbH D-32339 Espelkamp		Title RJ Industrial Cable Assembly			Doc-Key / ECM-Nr. 100155365/UGD/004/B 50000091524	
		Type TB	Number 09470502XXX		Rev. B	Page 1/2

1	2	3	4	5	6	7	8
50	09470502049	RJl Ethernet trailing cable, AWG22/7, 2x2x0.75, PUR, Cat. 5+, green	3	91	09470502088	RJl Ethernet stranded cable, AWG22/7, 2x2x0.75, outdoor, PVC, Cat. 5+, black	100
49	09470502048		2	90	09470502087		90
48	09470502047		1.5	89	09470502086		80
47	09470502046		1	88	09470502085		70
46	09470502045		0.5	87	09470502084		60
45	09470502044		100	86	09470502083		50
44	09470502043		90	85	09470502082		40
43	09470502042		80	84	09470502081		30
42	09470502041		70	83	09470502080		20
41	09470502040		60	82	09470502079		15
40	09470502039	50	81	09470502078	10		
39	09470502038	40	80	09470502077	9		
38	09470502037	30	79	09470502076	8		
37	09470502036	20	78	09470502075	7		
36	09470502035	15	77	09470502074	6		
35	09470502034	10	76	09470502073	5		
34	09470502033	9	75	09470502072	4		
33	09470502032	8	74	09470502071	3		
32	09470502031	7	73	09470502070	2		
31	09470502030	6	72	09470502069	1.5		
30	09470502029	5	71	09470502068	1		
29	09470502028	4	70	09470502067	0.5		
28	09470502027	3	69	09470502066	100		
27	09470502026	2	68	09470502065	90		
26	09470502025	1.5	67	09470502064	80		
25	09470502024	1	66	09470502063	70		
24	09470502091	0.8	65	09470502062	60		
23	09470502023	0.5	64	09470502061	50		
22	09470502022	100	63	09470502060	40		
21	09470502021	90	62	09470502059	30		
20	09470502020	80	61	09470502058	20		
19	09470502019	70	60	09470502057	15		
18	09470502018	60	59	09470502089	13		
17	09470502017	50	58	09470502090	12		
16	09470502016	40	57	09470502056	10		
15	09470502015	30	56	09470502055	9		
14	09470502014	20	55	09470502054	8		
13	09470502013	15	54	09470502053	7		
12	09470502012	10	53	09470502052	6		
11	09470502011	9	52	09470502051	5		
10	09470502010	8	51	09470502050	4		
9	09470502009	7	Cont. no.	Part no.	Type of cable	Dim. a[m]	
8	09470502008	6					
7	09470502007	5					
6	09470502006	4					
5	09470502005	3					
4	09470502004	2					
3	09470502003	1.5					
2	09470502002	1					
1	09470502001	0.5					
Cont. no.	Part no.	Type of cable	Dim a[m]				

	All rights reserved Department EC PD - RO	All Dimensions in mm Original Size DIN A3	Scale 1:1	Free size tol.	Ref. Sub.
Created by MUNTEANV		Inspected by TAMAS	Standardisation KOHLER	Date 2015-07-24	State Final Release
Title RJ Industrial Cable Assembly				Doc-Key / ECM-Nr. 100155365/UGD/004/B 500000091524	
HARTING Electronics GmbH D-32339 Espelkamp		Type TB	Number 09470502XXX		Rev. B Page 2/2