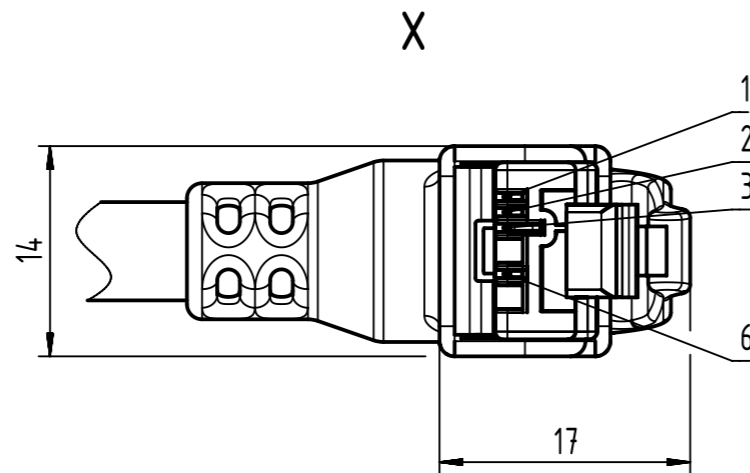
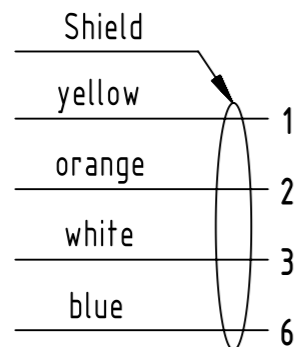


HARTING RJ Industrial RJ45, Cat. 5,  
4-pole, angled overmolded, 270° position

Mating face RJ45 acc. to IEC 60603-7



Loading-Plan:



- Protection level: IP20
- Temperature range: -40°C ... +70°C

	All rights reserved		Created by		Inspected by		Standardisation		Date		State		
	Department EC PD - RO		MUNTEANV		AVRAM		SCHREIER		2015-04-06		Final Release		
HARTING Electronics GmbH		Title										Doc-Key / ECM-Nr.	
D-32339 Espelkamp		RJ Industrial Cable Assembly										100155463/UGD/015/B 50000087655	
		Type		Number						Rev.		Page	
		TB		09470300XXX						B		1/2	

