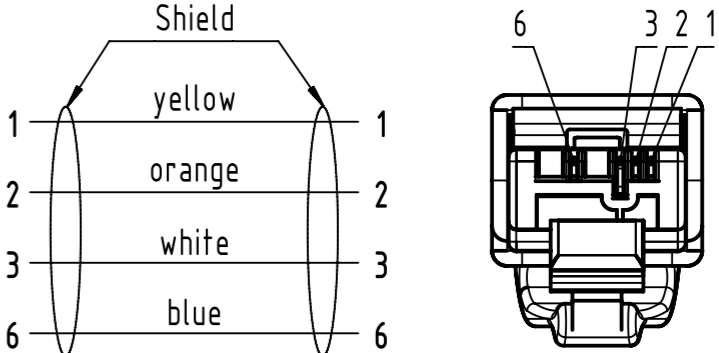


HARTING RJ Industrial RJ45,  
Cat. 5, 4-pole, overmolded

Mating face RJ45 acc. to IEC 60603-7

Loading-Plan:



- Protection level: IP20  
- Temperature range: -40°C ... +70°C

	All rights reserved		Created by		Inspected by		Standardisation		Date		State	
	Department EC PD - RO		MUNTEANV		AVRAM		HOFFMANN		2015-02-20		Final Release	
HARTING Electronics GmbH		Title						Doc-Key / ECM-Nr.		Rev.		Page
D-32339 Espelkamp		RJ Industrial Cable Assembly						100081054/UGD/051/D 50000085508		D	1/2	
			Type		Number							
			TB		0945771XXXX							

1	2		3	4	5	6	7	8
RJ45 Ethernet stranded cable, 4xAWG22/7, PVC, Cat. 5+, green				100				
48	09457711161		100					
47	09457711160		90					
46	09457711159		80					
45	09457711158		70					
44	09457711157		60					
43	09457711156		50					
42	09457711155		40					
41	09457711154		30					
40	09457711153		20					
39	09457711152		15					
38	09457711132		13					
37	09457711151		10					
36	09457711131		9					
35	09457711130		8					
34	09457711129		7					
33	09457711128		6					
32	09457711127		5					
31	09457711136		4.5					
30	09457711126		4					
29	09457711135		3.5					
28	09457711125		3					
27	09457711124		2					
26	09457711123		1.5					
25	09457711122		1					
24	09457711121		0.5					
23	09457711134		0.3					
22	09457710061		100					
21	09457710060		90					
20	09457710059		80					
19	09457710058		70					
18	09457710057		60					
17	09457710056		50					
16	09457710055		40					
15	09457710054		30					
14	09457710053		20					
13	09457710052		15					
12	09457710051		10					
11	09457710031		9					
10	09457710030		8					
9	09457710029		7					
8	09457710028		6					
7	09457710027		5					
6	09457710026		4					
5	09457710025		3					
4	09457710024		2					
3	09457710023		1.5					
2	09457710022		1					
1	09457710021		0.5					
Cont. no.	Part no.	Type of cable	Dim. a[m]					
RJ45 Ethernet standard cable, AWG22/1, 2x2x0.64, PVC, Cat. 5+, green				100				
73	09457711183		100					
72	09457711182		90					
71	09457711181		80					
70	09457711180		70					
69	09457711179		60					
68	09457711178		50					
67	09457711177		40					
66	09457711176		30					
65	09457711175		20					
64	09457711174		15					
63	09457711188		14					
62	09457711189		12					
61	09457711173		10					
60	09457711172		9					
59	09457711171		8					
58	09457711170		7					
57	09457711169		6					
56	09457711168		5					
55	09457711167		4					
54	09457711166		3					
53	09457711165		2					
52	09457711164		1.5					
51	09457711163		1					
50	09457711162		0.5					
49	09457711184		0.3					
Cont. no.	Part no.	Type of cable	Dim. a[m]					
RJ45 Ethernet trailing cable, AWG22/7, 2x2x0.75, PUR, Cat. 5+, green				100				

	All rights reserved		Created by	Inspected by	Standardisation	Date	State	
	Department EC PD - RO		MUNTEANV	AVRAM	HOFFMANN	2015-02-20	Final Release	
HARTING Electronics GmbH			Title RJ Industrial Cable Assembly				Doc-Key / ECM-Nr. 100081054/UGD/051/D 500000085508	
D-32339 Espelkamp			Type	Number			Rev.	Page
			TB	0945771XXXX			D	2/2