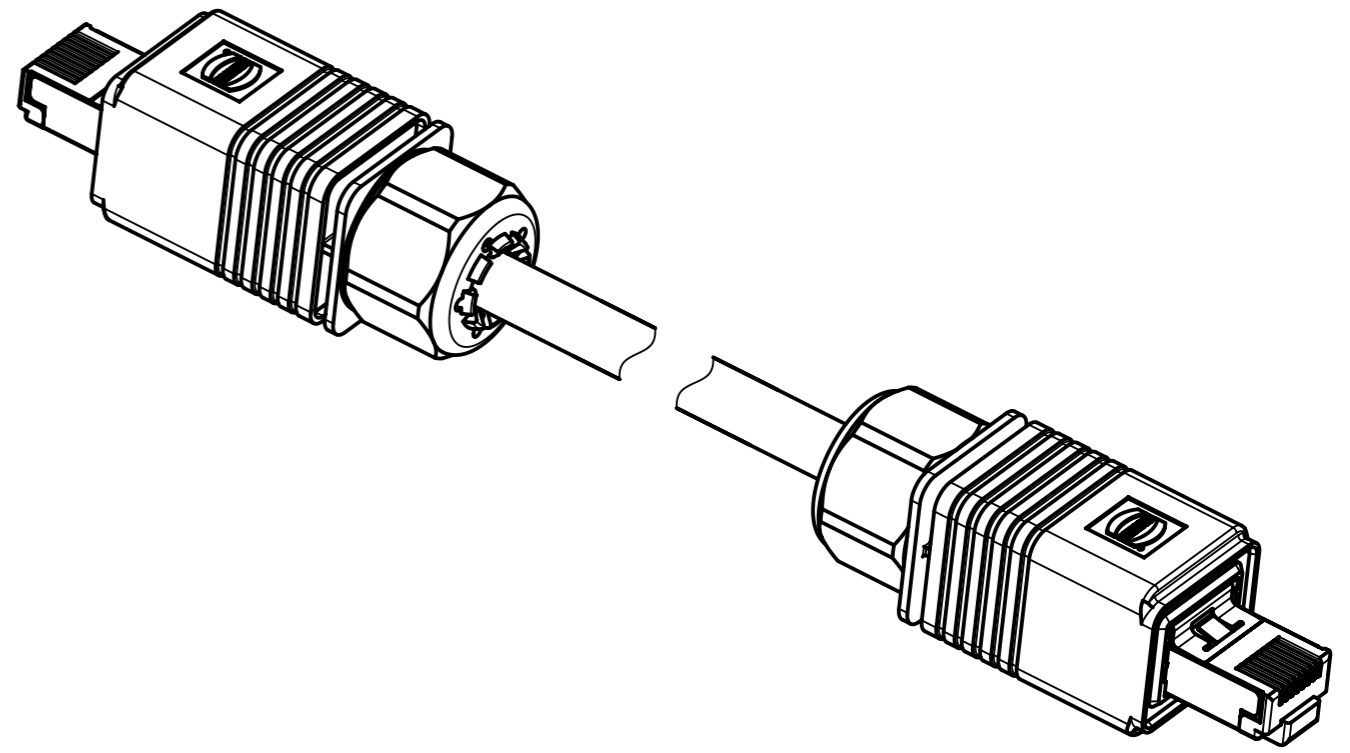
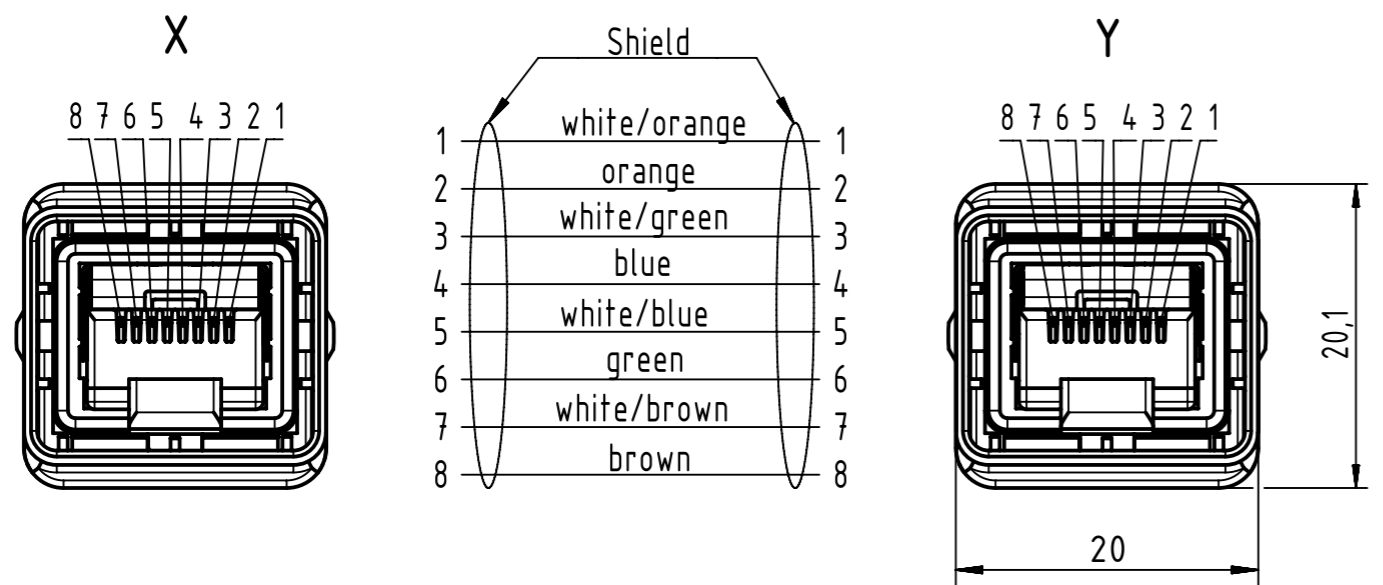



Loading-Plan  
acc. to TIA/EIA 568B



- Protection level: IP65/67  
- Temperature range: -20°C ... +70°C

	All Dimensions in mm Original Size DIN A3		Scale 2:1	Free size tol.		Ref.
	All rights reserved Department EC PD - RO		Created by TOMUTA	Inspected by STOICA	Standardisation HOFFMANN	Date 2014-09-11
HARTING Electronics GmbH D-32339 Espelkamp		Title RJ Industrial Cable Assembly			Doc-Key / ECM-Nr. 100103494/UGD/022/E 50000079502	
		Type TB	Number 094574XXXXX		Rev. E	Page 1/2

Cont. no.	Part-no.	Type of cable	Dim. d [mm]	Dim. a[m]
31	09457441537	RJ45 Ethernet Stranded Cable AWG 26/7, 4x2x0.5/1.0, Cat. 6A, PUR	6.7±0.3	35
30	09457441535			25
29	09457441534			20
28	09457441533			15
27	09457441532			10
26	09457441531			9
25	09457441530			8
24	09457441529			7
23	09457441528			6
22	09457441527			5
21	09457441526			4
20	09457441525			3
19	09457441524			2
18	09457441523			1.5
17	09457441522			1
16	09457441521	0.5		
15	09457451536	RJ45 Ethernet Stranded Cable AWG 26/7, 4x2x0.5/1.0, Cat. 6A, PVC	6.6±0.3	50
14	09457451535			35
13	09457451534			25
12	09457451553			20
11	09457451552			15
10	09457451551			10
9	09457451529			7
8	09457451527			5
7	09457451526			4
6	09457451525			3
5	09457451524			2
4	09457451523			1.5
3	09457451533			0.7
2	09457451521			0.5
1	09457451532			0.25

	All rights reserved Department EC PD - RO	Created by TOMUTA	Inspected by STOICA	Standardisation HOFFMANN	Date 2014-09-11	State Final Release
HARTING Electronics GmbH D-32339 Espelkamp		Title RJ Industrial Cable Assembly		Doc-Key / ECM-Nr. 100103494/UGD/022/E 50000079502		Rev. E
		Type TB	Number 094574XXXXX		Page 2/2	