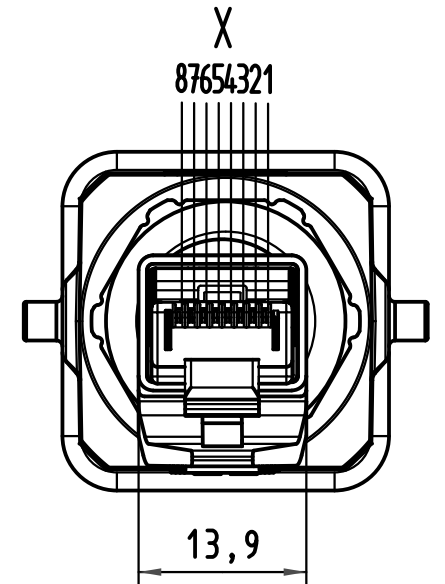
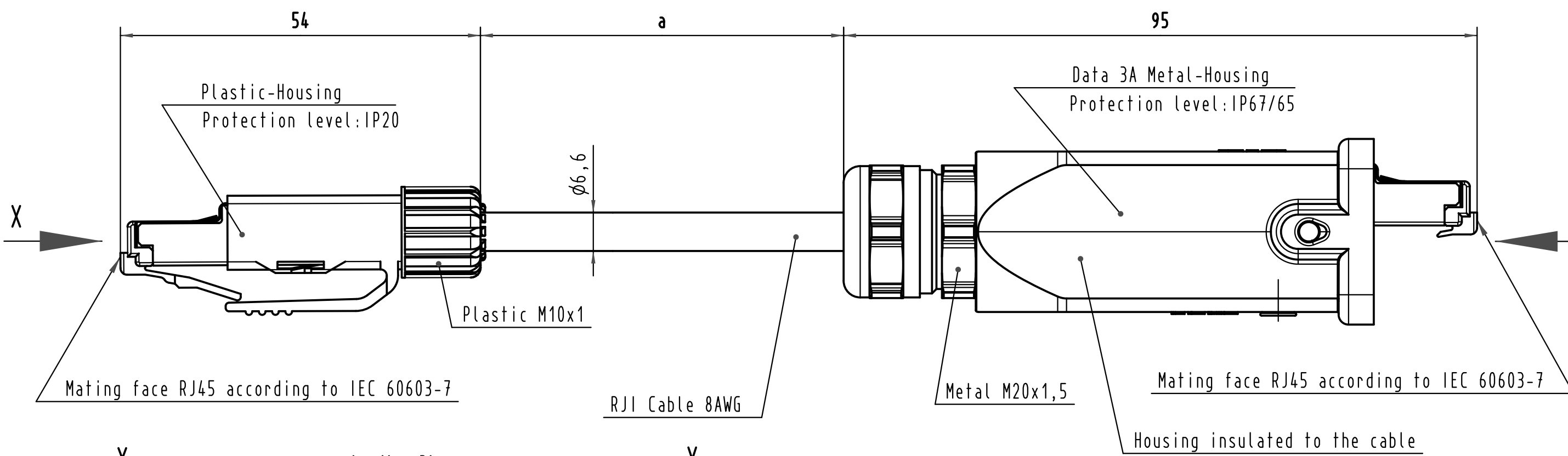
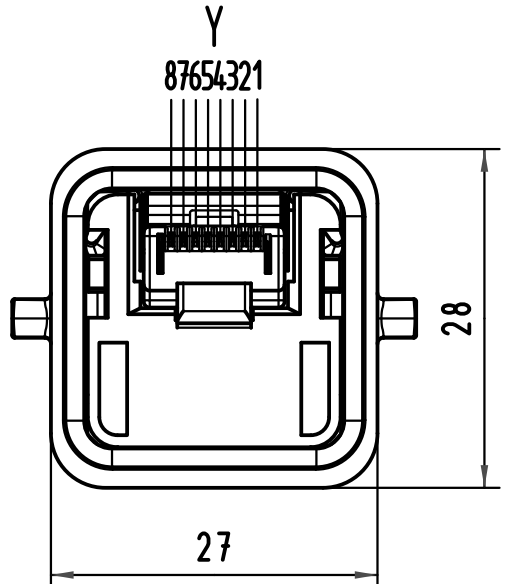


Alle Rechte vorbehalten. All rights reserved

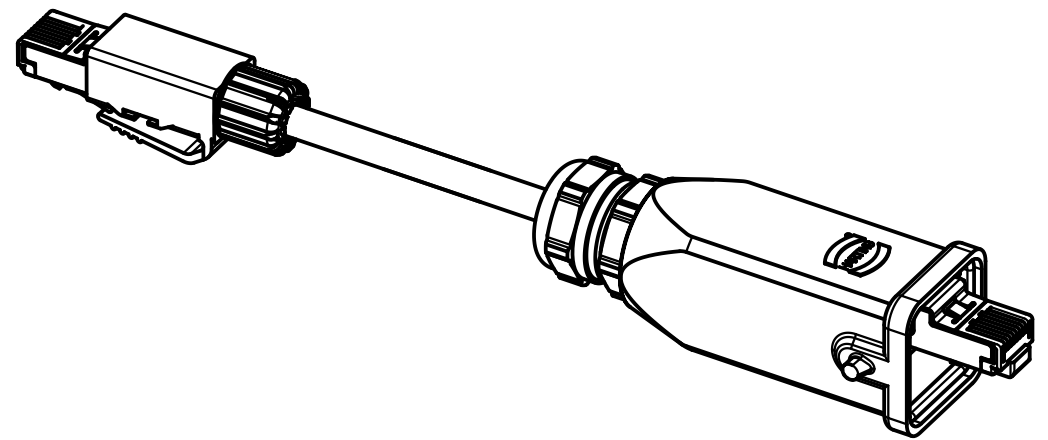


Loading-Plan Shield

1	White(green)	1
2	Green	2
3	White(orange)	3
4	Blue	4
5	White(blue)	5
6	Orange	6
7	White(brown)	7
8	Brown	8






Transmission properties in accordance with ISO/IEC 11801:2002: Class E
 Temperature range: -20°C ...+60°C
 for assembly with cable PUR, CAT7
 -10°C ...+70°C
 for assembly with cable PUR and PVC, CAT6



All Dimensions in mm Original Size DIN A 3			Techn. Character. techn.Character Dat. Name Maßstab/Scale			Nicht tolerierte Maßel Free size tolerances	
			Detail. 20.11.07 MR Insp. 20.11.07 RA			RJ45 Cord IP20+Metal-Data3A, 2xRJ45, 8AWG, stranded	
DRS484A 24.03.09 MS 35039 06.11.08 MS 34512			Stand.			TB 09 45 70x xxxx	
Mod. Dat. Name			HARTING Electronics GmbH & Co. KG D-32339 ESPELKAMP			Blatt/ page 1/2	
						Sub. Sub	

Alle Rechte vorbehalten/ All rights reserved

Cont-No.	Part-No.	Type of cable	Dim. a[m]
1	09 45 700 2501	8AWG 26/7 stranded, PUR, CAT7A	0.5 m
2	09 45 700 2502	8AWG 26/7 stranded, PUR, CAT7A	1 m
3	09 45 700 2503	8AWG 26/7 stranded, PUR, CAT7A	1.5 m
4	09 45 700 2504	8AWG 26/7 stranded, PUR, CAT7A	2 m
5	09 45 700 2505	8AWG 26/7 stranded, PUR, CAT7A	3 m
6	09 45 700 2506	8AWG 26/7 stranded, PUR, CAT7A	4 m
7	09 45 700 2507	8AWG 26/7 stranded, PUR, CAT7A	5 m
8	09 45 700 2508	8AWG 26/7 stranded, PUR, CAT7A	6 m
9	09 45 700 2509	8AWG 26/7 stranded, PUR, CAT7A	7 m
10	09 45 700 2510	8AWG 26/7 stranded, PUR, CAT7A	8 m
11	09 45 700 2511	8AWG 26/7 stranded, PUR, CAT7A	9 m
12	09 45 700 2512	8AWG 26/7 stranded, PUR, CAT7A	10 m
13	09 45 700 2513	8AWG 26/7 stranded, PUR, CAT7A	15 m
14	09 45 700 2514	8AWG 26/7 stranded, PUR, CAT7A	20 m
15	09 45 701 1562	8AWG 28/7 stranded, PVC, CAT6	0.5 m
16	09 45 701 1563	8AWG 28/7 stranded, PVC, CAT6	1 m
17	09 45 701 1564	8AWG 28/7 stranded, PVC, CAT6	1.5 m
18	09 45 701 1565	8AWG 28/7 stranded, PVC, CAT6	2 m
19	09 45 701 1566	8AWG 28/7 stranded, PVC, CAT6	3 m
20	09 45 701 1567	8AWG 28/7 stranded, PVC, CAT6	4 m
21	09 45 701 1568	8AWG 28/7 stranded, PVC, CAT6	5 m
22	09 45 701 1569	8AWG 28/7 stranded, PVC, CAT6	6 m
23	09 45 701 1570	8AWG 28/7 stranded, PVC, CAT6	7 m
24	09 45 701 1571	8AWG 28/7 stranded, PVC, CAT6	8 m
25	09 45 701 1572	8AWG 28/7 stranded, PVC, CAT6	9 m
26	09 45 701 1573	8AWG 28/7 stranded, PVC, CAT6	10 m
27	09 45 701 1574	8AWG 28/7 stranded, PVC, CAT6	15 m
28	09 45 701 1575	8AWG 28/7 stranded, PVC, CAT6	20 m
29	09 45 701 1532	8AWG 27/7 stranded, PUR, CAT6	0.5 m
30	09 45 701 1533	8AWG 27/7 stranded, PUR, CAT6	1 m
31	09 45 701 1534	8AWG 27/7 stranded, PUR, CAT6	1.5 m
32	09 45 701 1535	8AWG 27/7 stranded, PUR, CAT6	2 m
33	09 45 701 1536	8AWG 27/7 stranded, PUR, CAT6	3 m
34	09 45 701 1537	8AWG 27/7 stranded, PUR, CAT6	4 m
35	09 45 701 1538	8AWG 27/7 stranded, PUR, CAT6	5 m
36	09 45 701 1539	8AWG 27/7 stranded, PUR, CAT6	6 m
37	09 45 701 1540	8AWG 27/7 stranded, PUR, CAT6	7 m
38	09 45 701 1541	8AWG 27/7 stranded, PUR, CAT6	8 m
39	09 45 701 1542	8AWG 27/7 stranded, PUR, CAT6	9 m
40	09 45 701 1543	8AWG 27/7 stranded, PUR, CAT6	10 m
41	09 45 701 1544	8AWG 27/7 stranded, PUR, CAT6	15 m
42	09 45 701 1545	8AWG 27/7 stranded, PUR, CAT6	20 m

 All Dimensions in mm Original Size DIN A 3			Techn. Character. techn.Character			Nicht tolerierte Maß/Free size tolerances	
				Dat.	Name		RJI Cord IP20+Metal-Data3A, 2xRJ45, 8AWG, stranded
			Detail.	20.11.07	MR		
			Insp.	20.11.07	RA		
DRS484A	24.03.09	MS	Stand.				
35039	06.11.08	MS	HARTING Electronics GmbH & Co. KG D-32339 ESPELKAMP				TB 09 45 70x xxxx
34512			Mod.	Dat.	Name		
						Sub.	Sub