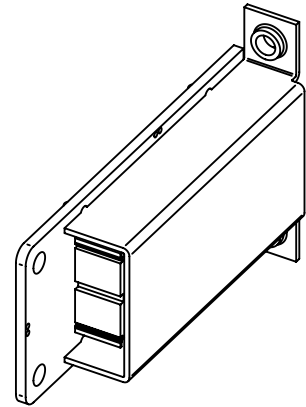
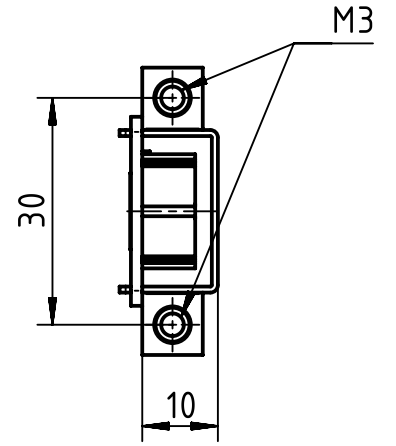
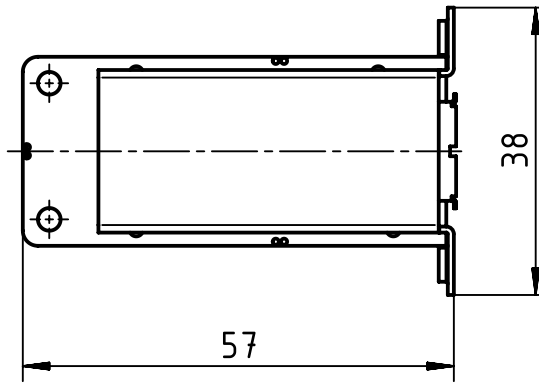
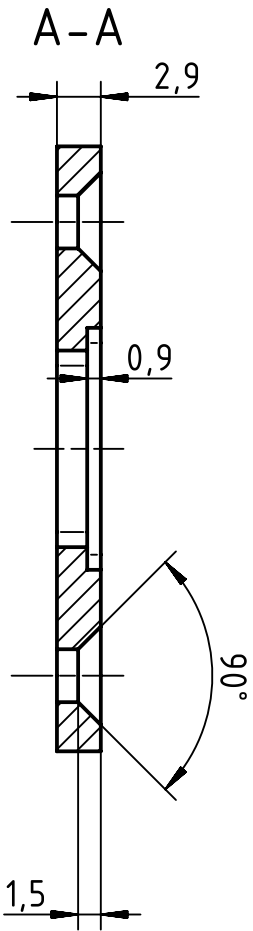
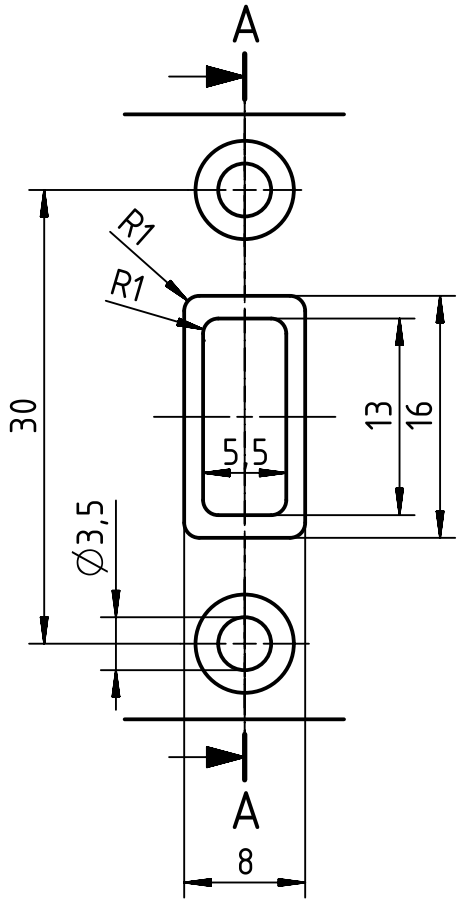


panel cut out (2:1)



2x bolts (M3x8) enclosed separately  
cable tie enclosed separately

	All Dimensions in mm Original Size DIN A4		Scale 1:1	Free size tol.		Ref.	
	All rights reserved Department EL PD - DE		Created by RULLKOETTER	Inspected by SCHNIEDER	Standardisation SCHMIDTM	Date 2014-05-28	State Final Release
HARTING Electric GmbH & Co. KG D-32339 Espelkamp			Title Gender Changer USB, f-f			Doc-Key / ECM-Nr. 100196276/UGD/004/C 500000075333	
			Type TB	Number 39 50 904 0020		Rev. C	Page 1/1