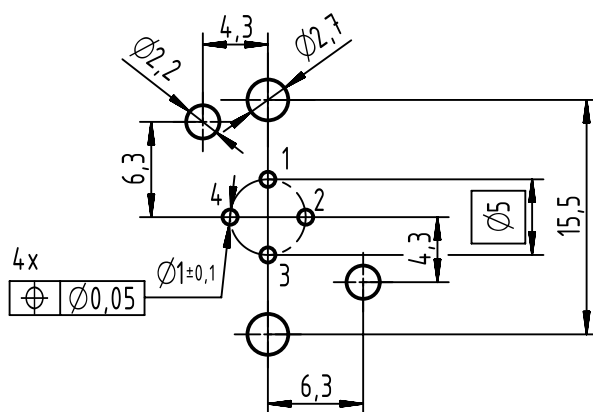
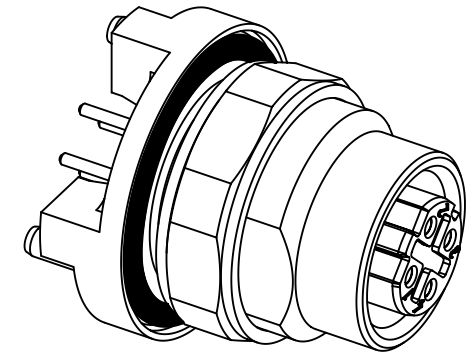
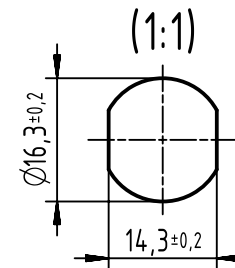


PCB layout




panel cut out



1 top surface PCB

recommended PCB-thickness: 1.6mm

	All Dimensions in mm Original Size DIN A4		Scale 2:1	Free size tol.		Ref. Sub. TB 21033816420 500000056709 2012-11-26		
	All rights reserved Department EC PD - DE		Created by HASSE	Inspected by WELLMANN	Standardisation HOFFMANN	Date 2015-09-04	State Final Release	
HARTING Electronics GmbH D-32339 Espelkamp			Title HARTING M12 PFT D-cod 4-pole female straight IP67				Doc-Key / ECM-Nr. 100196081/UGD/002/E 500000093268	
			Type TB	Number 21033816420			Rev. E	Page 1/1