

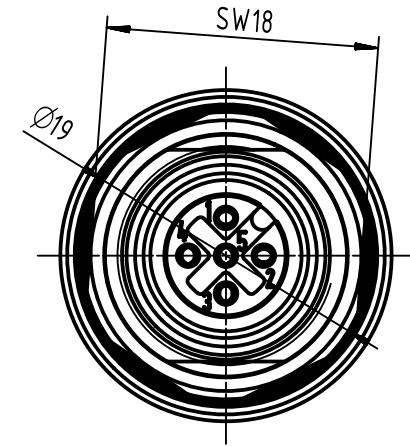
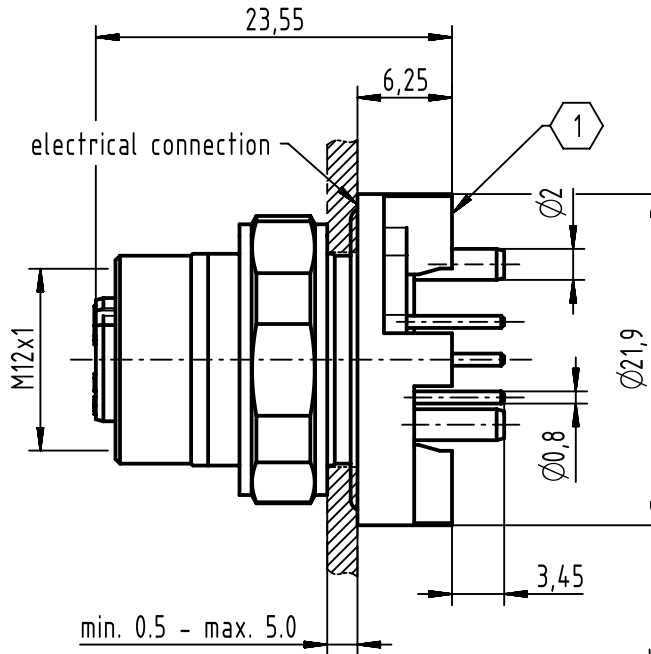
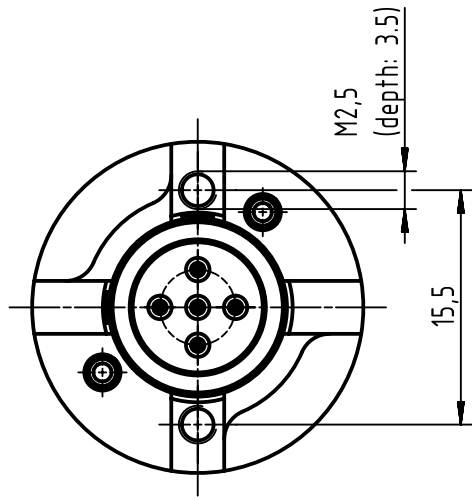
1 2 3 4 5 6

A

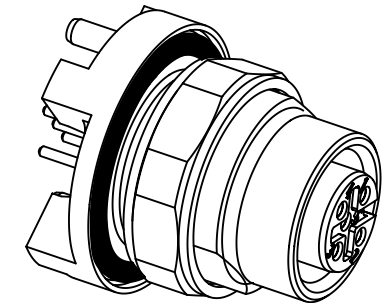
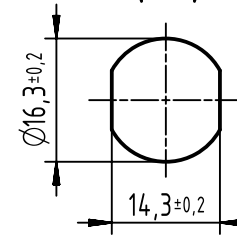
B

C

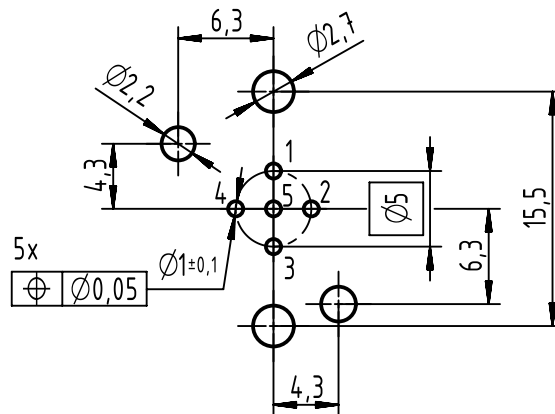
D



panel cut out  
(1:1)



PCB layout



1 top surface PCB

recommended PCB-thickness: 1.6mm

	All rights reserved Department EC PD - DE	All Dimensions in mm Original Size DIN A4		Scale 2:1	Free size tol.	Ref. Sub. TB 21033216520 / 500000054524 / 2012-08-22	
		Created by HASSE	Inspected by WELLMANN	Standardisation HOFFMANN	Date 2015-09-02	State Final Release	
HARTING Electronics GmbH D-32339 Espelkamp		Title HARTING M12 PFT A-cod 5-pole female straight IP67				Doc-Key / ECM-Nr. 100196083/UGD/002/D 500000093168	
		Type TB	Number 21033216520		Rev. D	Page 1/1	