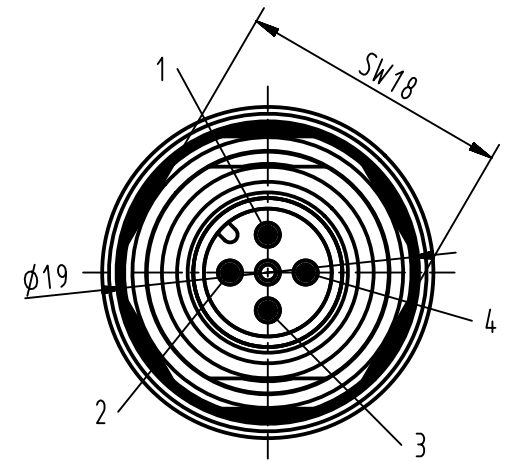
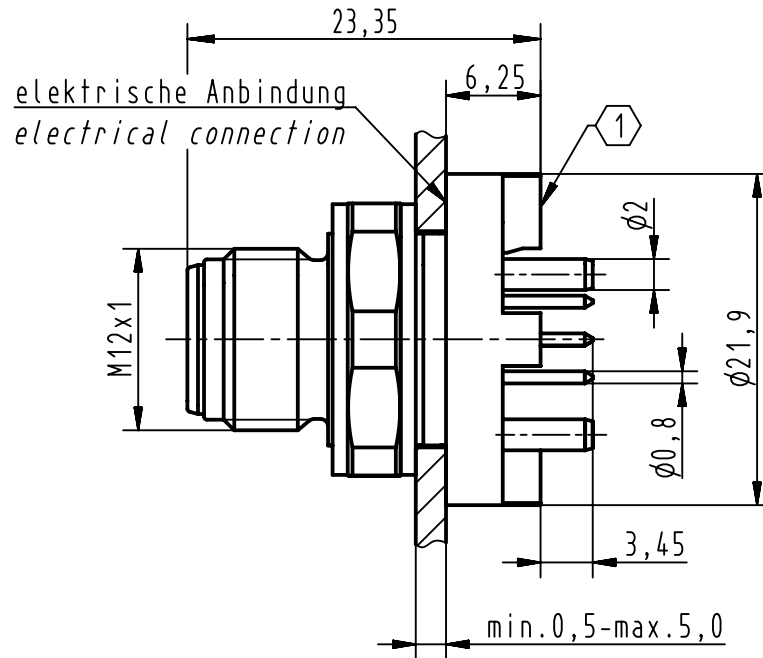
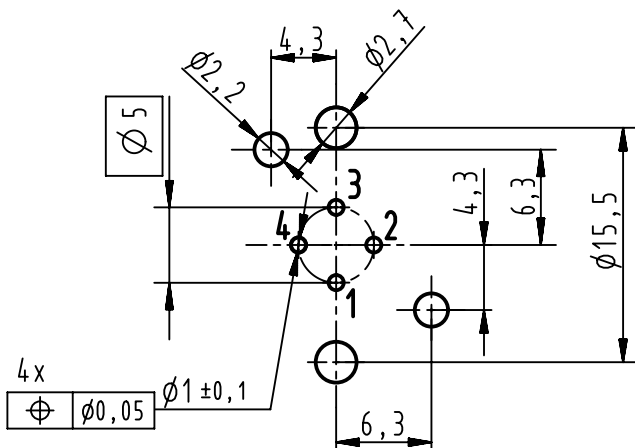
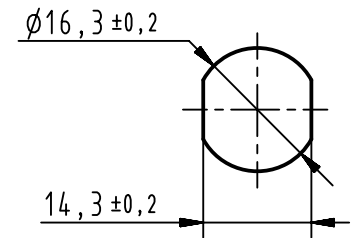
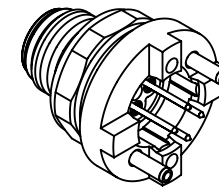


Leiterplatten Lochbild
PCB layout



Montageausschnitt
panel cut out
(1:1)



1 Leiterplattenaufgabe/top surface PCB

empfohlene Leiterplattenstärke: 1,6mm/
recommended PCB-thickness: 1,6mm

	All rights reserved Department EC PD - DE	All Dimensions in mm Original Size DIN A4	Scale 2:1 Free size tol.	Ref. Sub.
	HARTING Electronics GmbH D-32339 Espelkamp	Created by DYCKC Inspected by HARLASS Standardisation HOFFMANN	Title M12 panel feedthrough/PCB straight A-cod. Type TB Number 21033211420	Date 2012-11-26 State Final Release Doc-Key / ECM-Nr. 100228330/UGD/002/B 500000056709 Rev. B Page 1/1