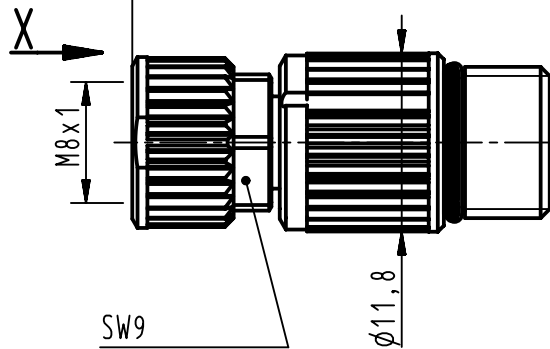
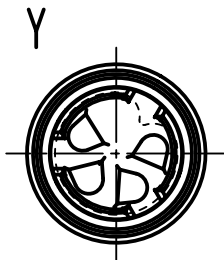
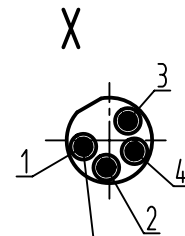
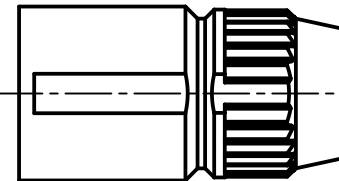
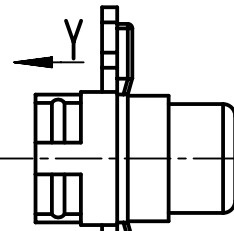
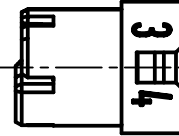


1 2 3 4 5 6

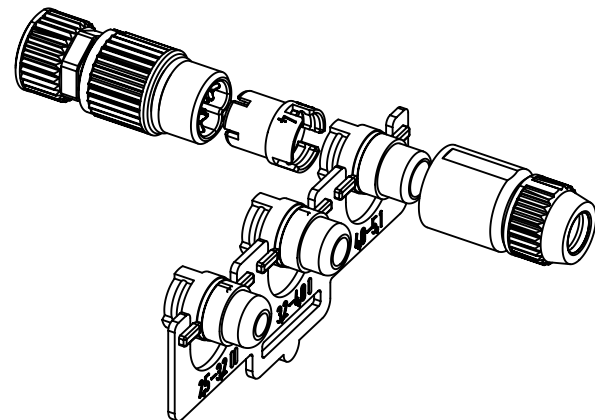
Gesamtlänge im verschraubten Zustand ca. 42,5mm
 complete length when assembled app. 42,5mm



SW9
width across flats 9



Steckgesicht n.
Contact face acc.to
IEC 61076-2-104



Leiterquerschnitt conductor cross section	0,14 - 0,34 AWG26 - AWG22
Kabeldurchmesser cable outside diameter	2,5 - 5,1mm

	All rights reserved Department EC PD - DE	All Dimensions in mm Original Size DIN A4		Scale 2:1	Free size tol.	Ref. Sub.
		Created by DYCKC	Inspected by WELLMANN	Standardisation HOFFMANN	Date 2013-01-22	State Final Release
HARTING Electronics GmbH D-32339 Espelkamp		Title HARAX M8-S female 4-pole			Doc-Key / ECM-Nr. 100194182/UGD/003/C 5300000857470	
		Type TB	Number 21021512405		Rev. C	Page 1/1