

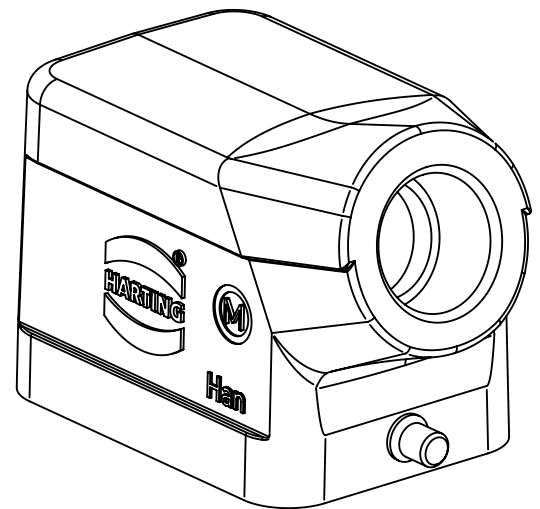
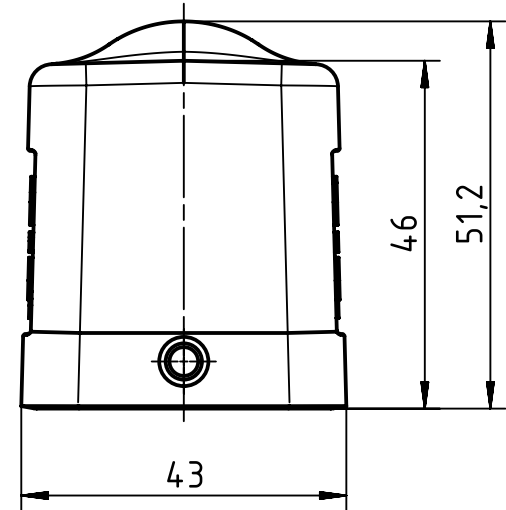
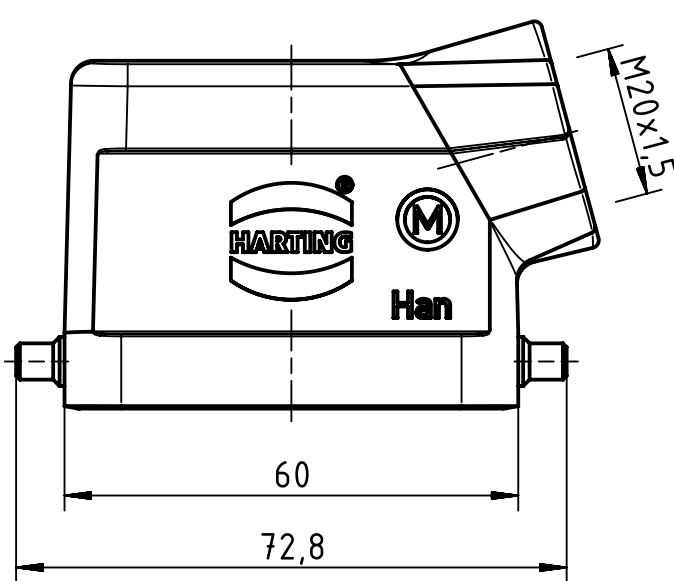
1 2 3 4 5 6


A

B

C

D



	All rights reserved Department EL PD - DE	All Dimensions in mm Original Size DIN A4		Scale 1:1	Free size tol.		Ref.	
		HARTING Electric GmbH & Co. KG D-32339 Espelkamp	Created by SCHULZI	Inspected by MOOR	Standardisation TIEMANNA	Date 2014-10-29	State Final Release	Sub.
Title Han 6EMC/B-HSE-M20 (HT)							Doc-Key / ECM-Nr. 100178828/UGD/004/B 500000081229	
Type TB				Number 19 62 806 1540			Rev. B	Page 1/1