

1 2 3 4 5 6

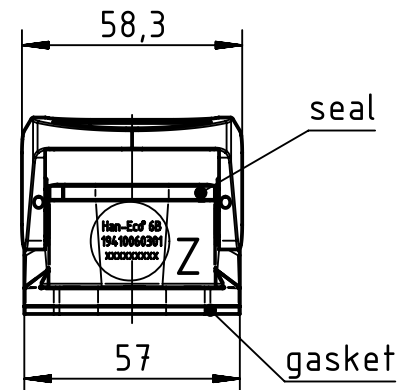
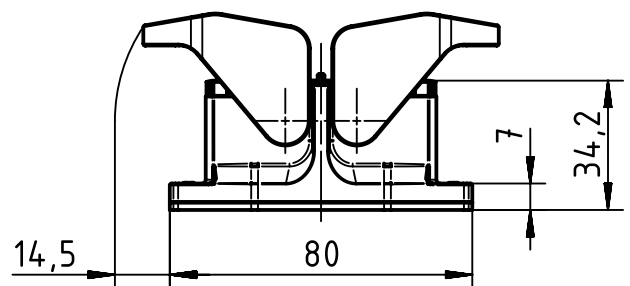
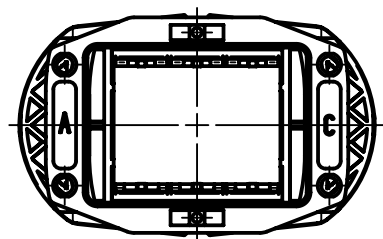
A

B

C

D

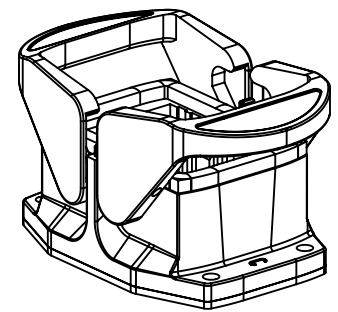
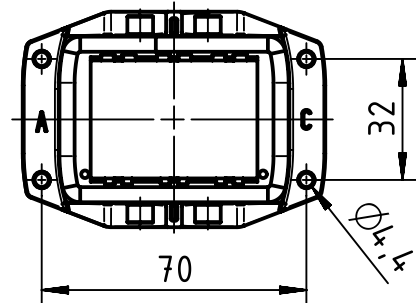
view without gasket



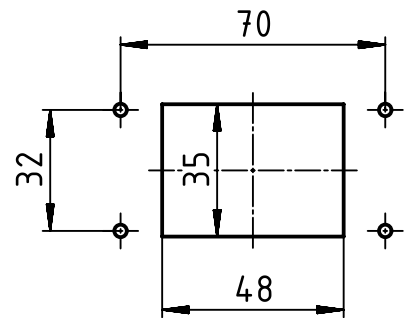
Z (1:1)

Han-Eco 6B  
19410060301  
xxxxxxxx

view without lever



panel cut out



	All rights reserved Department EL PD - DE HARTING Electric GmbH & Co. KG D-32339 Espelkamp	All Dimensions in mm Original Size DIN A4		Scale 1:2	Free size tol.	Ref. Sub. 19 41 006 0301 v.14.02.12		
		Created by DICK	Inspected by HERBRECHTSME	Standardisation TIEMANNA	Date 2015-08-21	State Final Release	Doc-Key / ECM-Nr. 100186482/UGD/009/A 500000093433	
Title Han-Eco 6B-HBM					Type TB	Number 19 41 006 0301	Rev. A	Page 1/1