

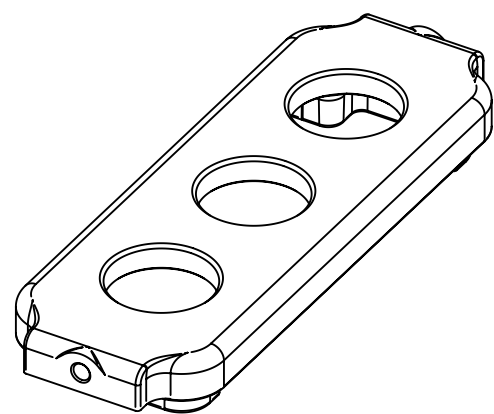
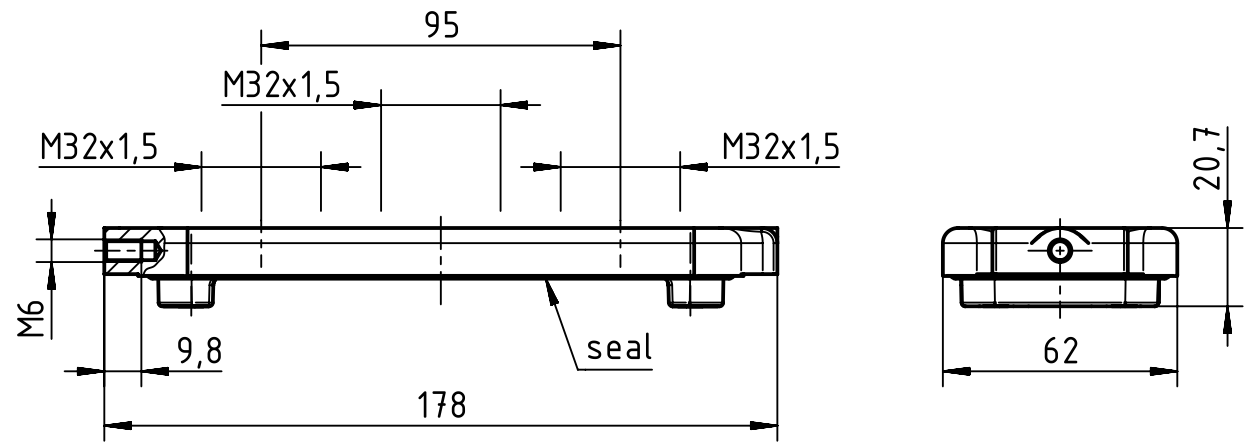
1 2 3 4 5 6

A

B

C

D



	All rights reserved Department EL PD - DE	Created by HOLLERT		Inspected by SCHLEGEL		Standardisation TIEMANNA		Date 2014-03-27		State Final Release	
		Title Han 24 HPR EasyCon Cover 3XM32								Doc-Key / ECM-Nr. 100196799/UGD/004/C 500000072931	
HARTING Electric GmbH & Co. KG D-32339 Espelkamp		Type TB		Number 19 40 024 9903				Rev. C		Page 1/1	