

1 2 3 4 5 6

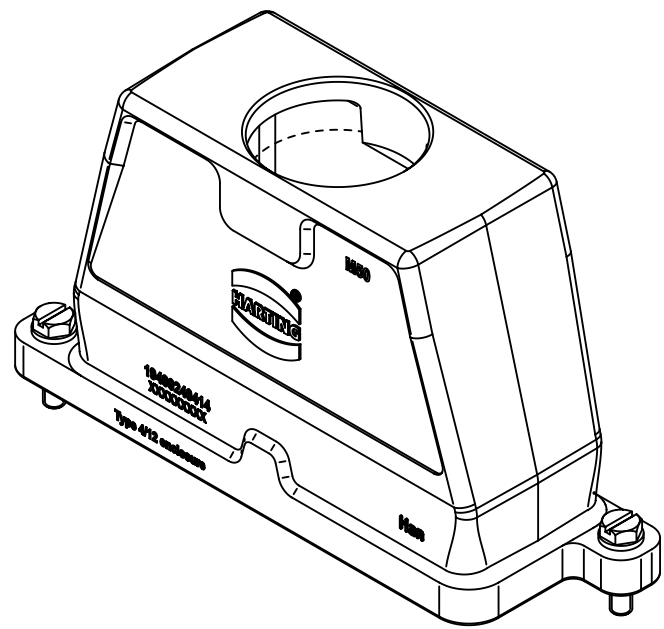
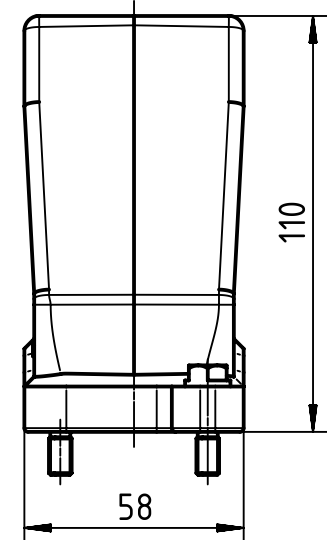
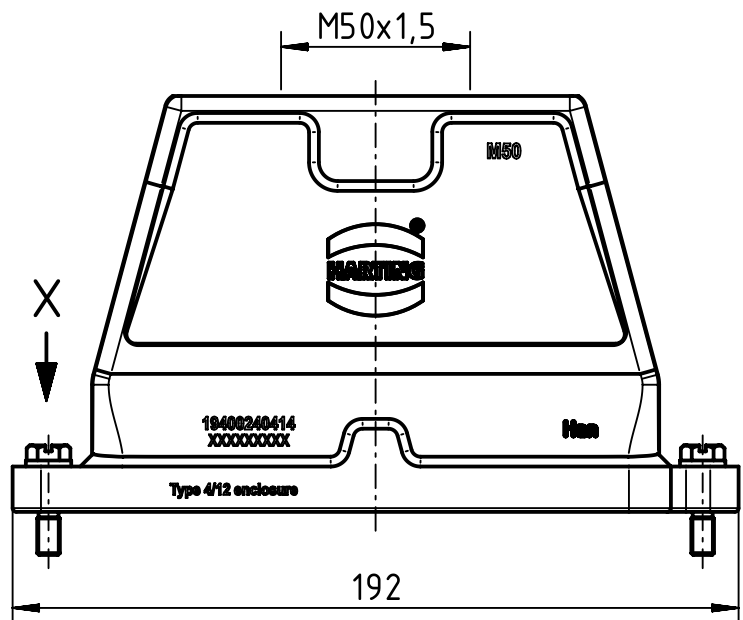
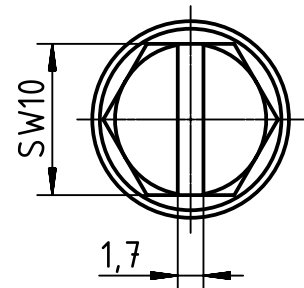
A

B

C

D

X (2:1)



	All Dimensions in mm Original Size DIN A4		Scale 1:2	Free size tol.		Ref. Sub. TB 19 40 024 0414 v. 10.01.11		
		All rights reserved Department EL PD - DE		Created by FINKEV	Inspected by GERB	Standardisation TIEMANNA	Date 2015-09-07	State Final Release
Title Han 24HPR Hood Top Entry M50 Screw Lock						Doc-Key / ECM-Nr. 100201950/UGD/004/B 500000094164		
HARTING Electric GmbH & Co. KG D-32339 Espelkamp				Type TB	Number 19 40 024 0414		Rev. B	Page 1/1