

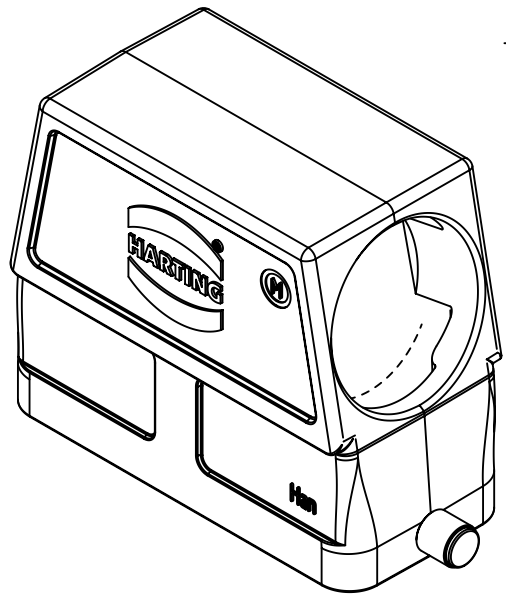
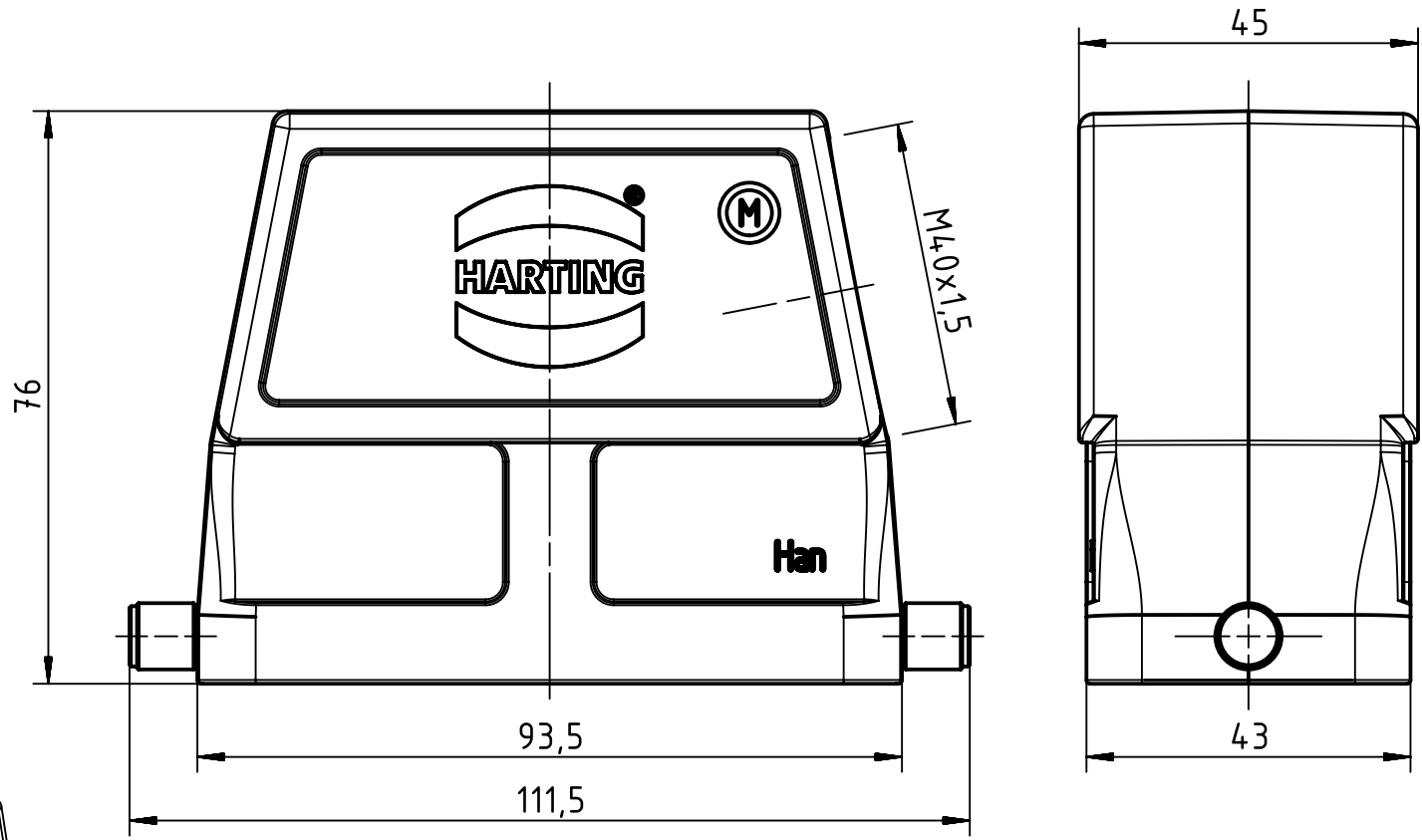
1 2 3 4 5 6

A

B

C

D



	All Dimensions in mm Original Size DIN A4		Scale 1:1	Free size tol.		Ref. Sub. TB 19 30 016 0548 v. 27.05.2013		
		All rights reserved Department EL PD - DE		Created by FINKEV	Inspected by BERGHORN	Standardisation TIEMANNA	Date 2014-05-16	State Final Release
HARTING Electric GmbH & Co. KG D-32339 Espelkamp				Title Han B Hood Side Entry 2 Pegs M40			Doc-Key / ECM-Nr. 100220788/UGD/002/C 500000074836	
				Type TB	Number 19 30 016 0548		Rev. C	Page 1/1