

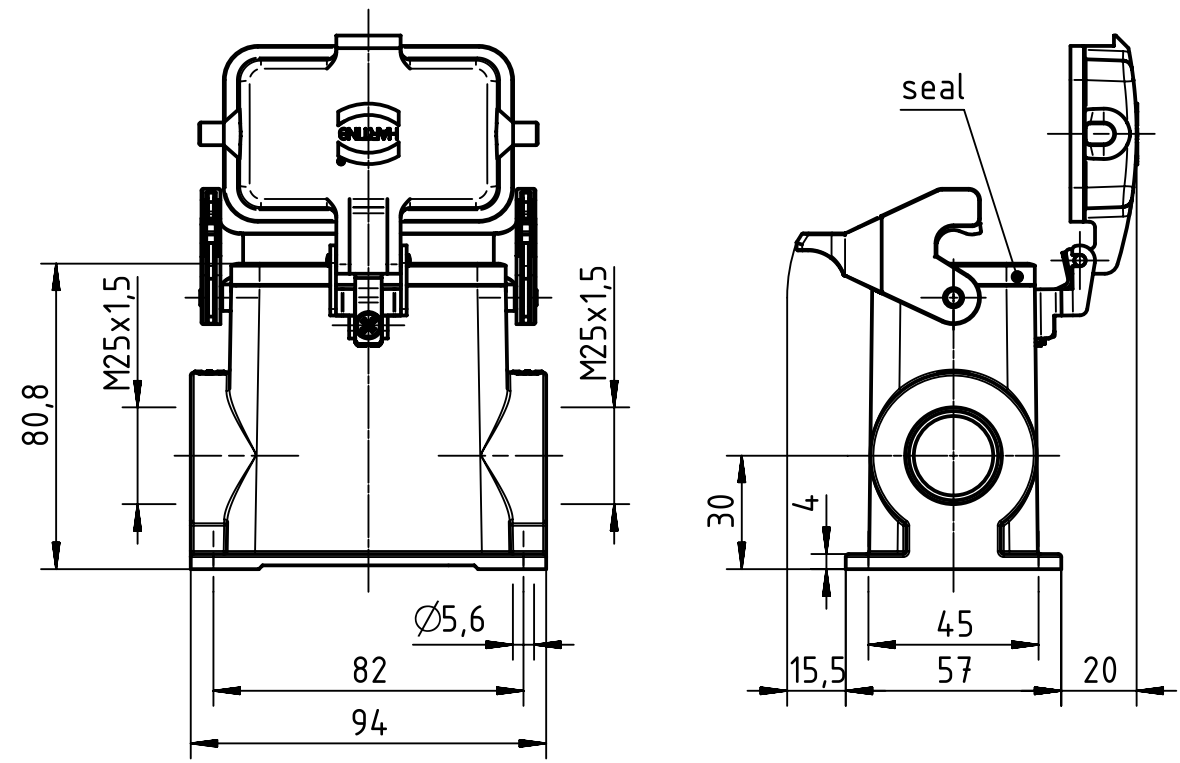
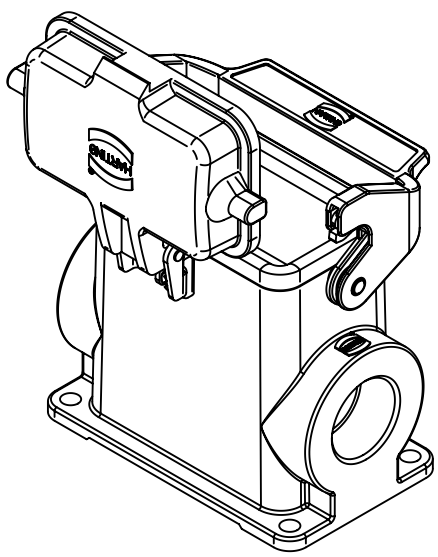
1 2 3 4 5 6

A

B

C

D



| | | | | | | | | | |
|---|--|--|--------------|--------------------------------|--------------------------|-----------------------------|--|------------------------|-------------|
| | All Dimensions in mm Original Size DIN A4 | | Scale 1:2 | | Free size tol. | | Ref. Sub. TB 19 30 010 0296 v. 19.02.09 | | |
| | | All rights reserved Department EL PD - DE | | Created by SPRENB | Inspected by BERGHORN | Standardisation TIEMANNA | Date 2014-01-30 | State Final Release | |
| HARTING Electric GmbH & Co. KG D-32339 Espelkamp | | | | Title Han 10B-asg2-LB-K-M25 | | | Doc-Key / ECM-Nr. 100209280/UGD/004/A 500000071121 | | |
| | | | | Type TB | Number 19 30 010 0296 | | | Rev. A | Page 1/1 |