

5

4

3

2

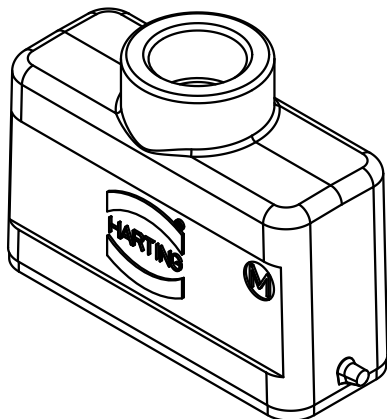
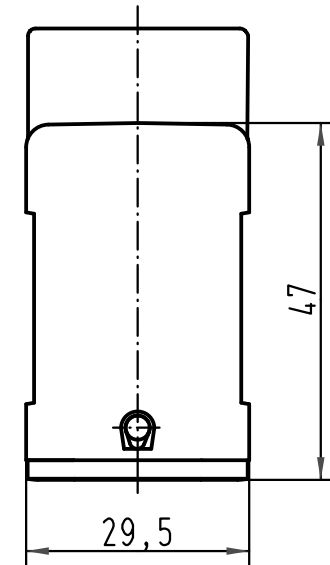
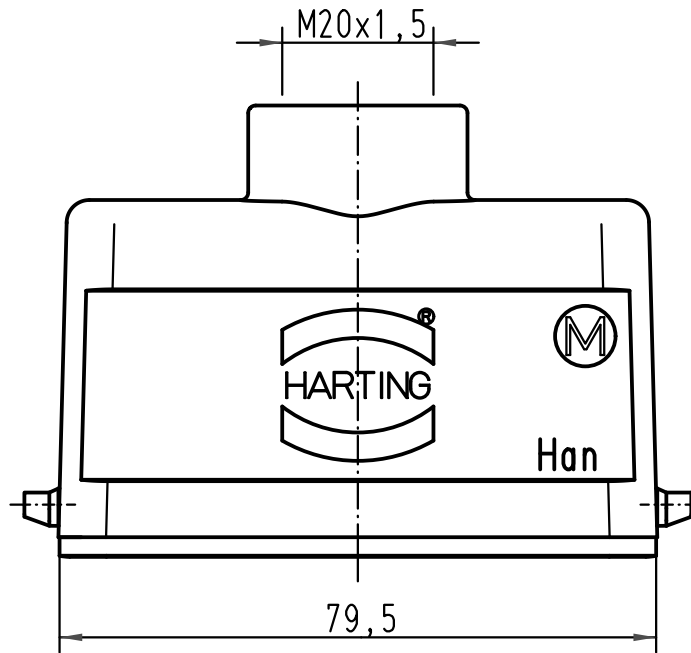
1



D

C

B

A



| | | | | | | | | |
|---|----------|------|--------------------------------|----------|------|---|--|--|
|  All Dimensions in mm Original Size DIN A 4 | | | Techn. Character. | | | Nicht tolerierte Maße/Free size tolerances | | |
| | | | | Dat. | Name | Maßstab/Scale 1:1 | Han 16A-gg-M20 Tüllengehäuse/ hood | |
| | | | Detail. | 16.11.00 | ROH. | | | |
| | | | Insp. | | KR | | | |
| | | | Stand. | | | | | |
| 413260 | 09.10.07 | Ste | HARTING Electric GmbH & Co. KG | | |  TB 19 20 016 1440 | Blatt/page | |
| 28834 | | | D-32339 Espelkamp | | | | / | |
| Mod. | Dat. | Name | | | | | Sub. | |