

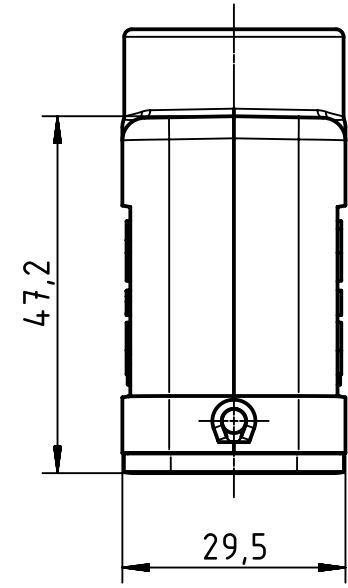
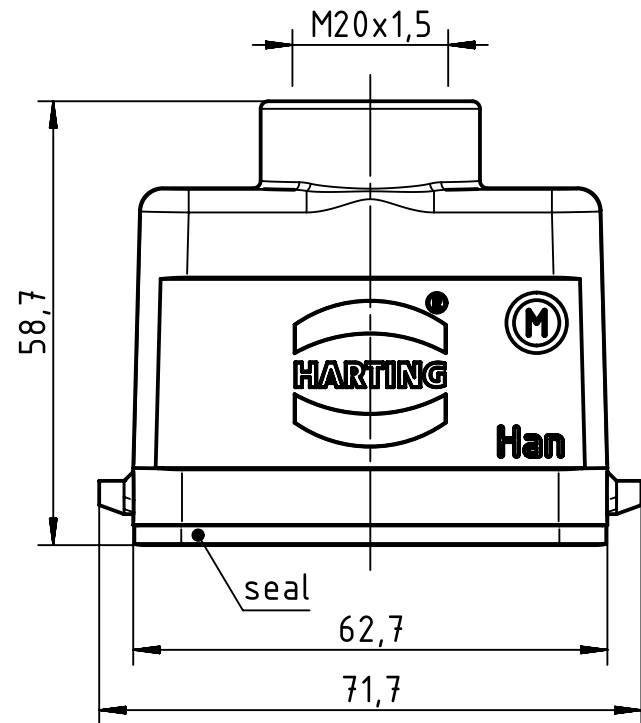
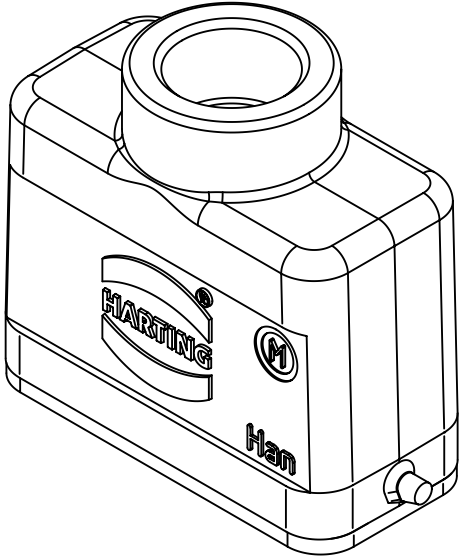
1 2 3 4 5 6

A

B

C

D



	All Dimensions in mm Original Size DIN A4	Scale 1:1			Free size tol.		Ref.		
							Sub. TB 19 20 010 1440 v. 16.11.00		
	All rights reserved Department EL PD - DE	Created by	Inspected by	Standardisation	Date	State			
		SPREENB	BERGHORN	TIEMANNA	2014-02-12	Final Release			
HARTING Electric GmbH & Co. KG D-32339 Espelkamp		Title Han A Hood Top Entry LC two pegs M20					Doc-Key / ECM-Nr. 100090958/UGD/005/A 500000071222		
		Type	Number		Rev.		Page		
		TB	19 20 010 1440		A		1/1		