

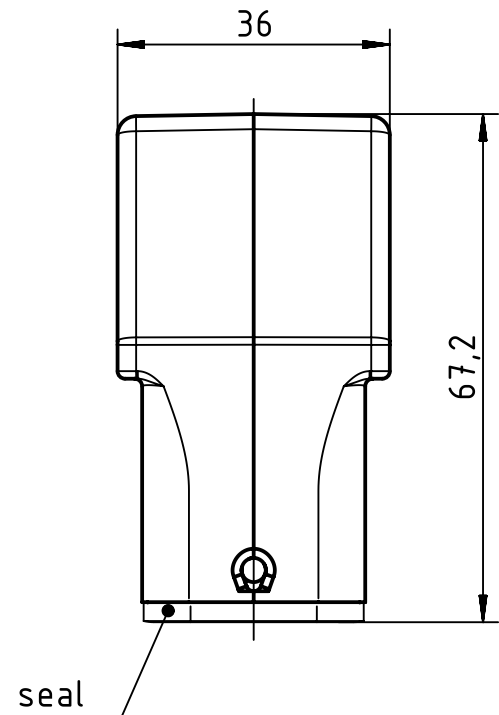
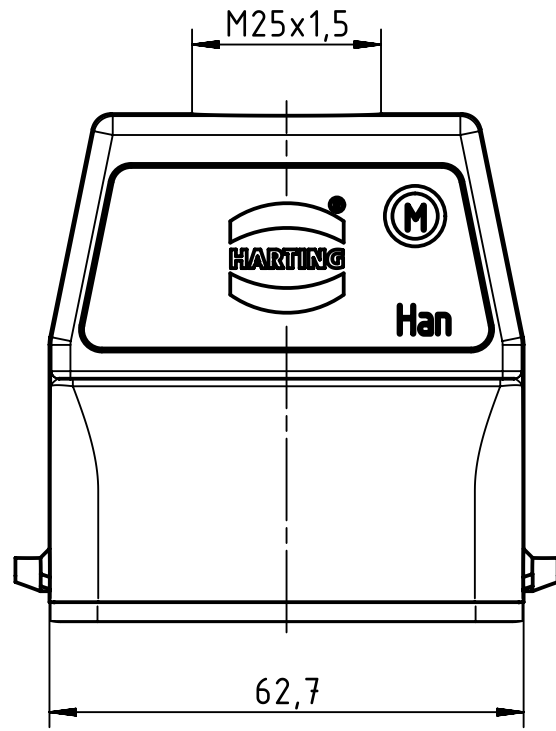
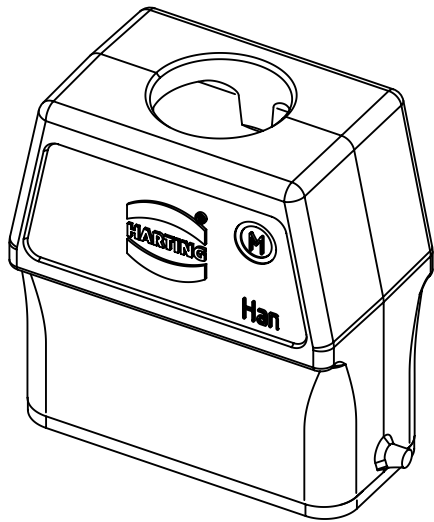
1 2 3 4 5 6

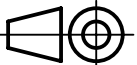

A

B

C

D



 All Dimensions in mm Original Size DIN A4	Scale	Free size tol.			Ref.
	1:1				Sub.
 All rights reserved Department EL PD - DE	Created by	Inspected by	Standardisation	Date	State
	SCHULZI	BERGHORN	TIEMANNA	2014-02-26	Final Release
HARTING Electric GmbH & Co. KG D-32339 Espelkamp	Title				Doc-Key / ECM-Nr. 100189433/UGD/004/A 500000071737
	Han A Hood Top Entry HC 2 Pegs M25				
Type		Number		Rev.	Page
TB		19 20 010 0446		A	1/1