

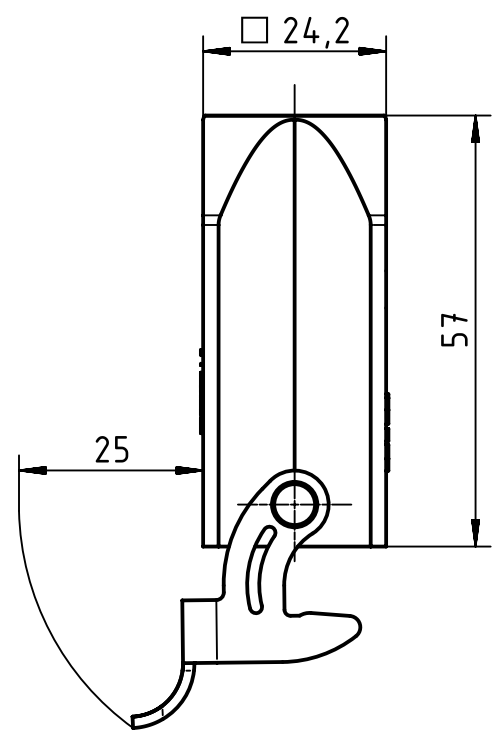
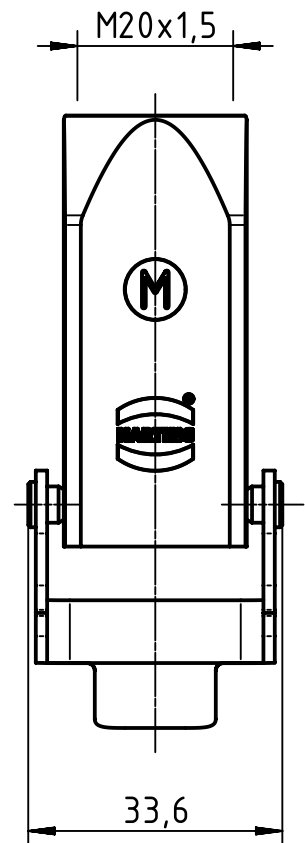
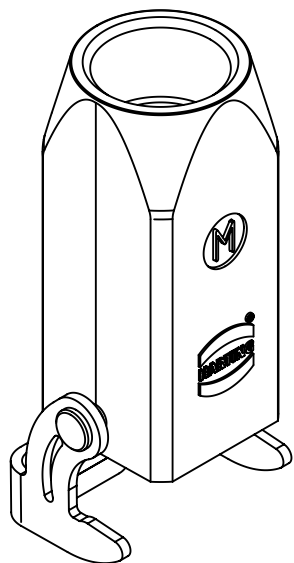
1                      2                      3                      4                      5                      6


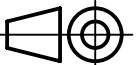
A

B

C

D



	All rights reserved Department EL PD - DE	Created by SPRENB		Inspected by BERGHORN		Standardisation TIEMANNA		Date 2013-06-13		State Final Release	
		Title Han A Hood Coupler 1 Lever M20								Doc-Key / ECM-Nr. 100540974/UGD/001/A 500000060959	
HARTING Electric GmbH & Co. KG D-32339 Espelkamp		Type TB		Number 19 20 003 1750				Rev. A		Page 1/1	
 All Dimensions in mm Original Size DIN A4		Scale 1:1		Free size tol.				Ref. Sub. TB 19 20 003 1750 v. 16.11.00			